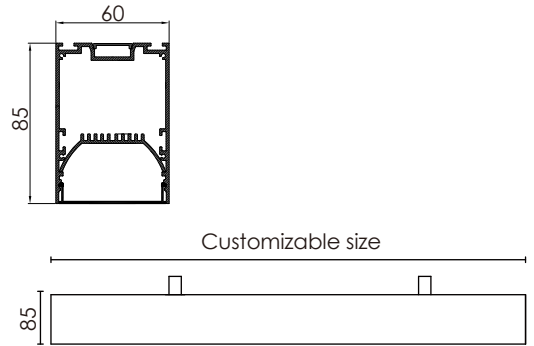




### Feature

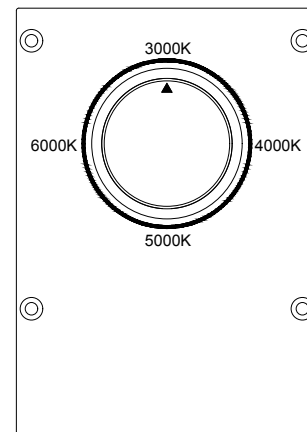
- Professional appearance design, simple and elegant.
- High-quality, high-efficiency LED lighting product, environmentally friendly.
- Anodized aluminum profile with excellent heat dissipation performance.
- Built-in power supply, no flicker.
- Rotary knob switch for color temperature adjustment, efficient and convenient to use.
- Customizable dimming options (0-10V, DALI, triac dimming) available.
- Applications: offices, conference rooms, supermarkets, schools, home lighting and so on.



### Luminaire parameters

Size	L1200*W60*H85mm
LM	(up)1150lm/(down)4600lm
Input Voltage	AC200-240V
Beam Angle	220°
Nominal Power	(up)10W/(down)40W
CCT Adjustable	3000K-4000K-5000K-6000K
CRI	>80
Protection Grade	IP40
Certification	CE, ROHS
Warranty	5 years
Color	Black/White/Silver

CCT Adjustable



### Installation Accessories



Suspended Rope



Connector

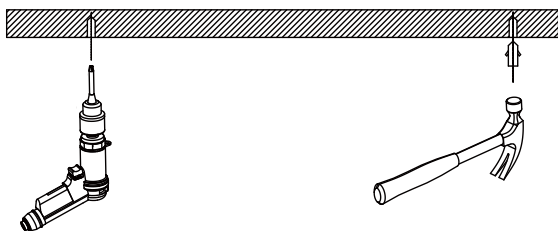


Aluminum Profile

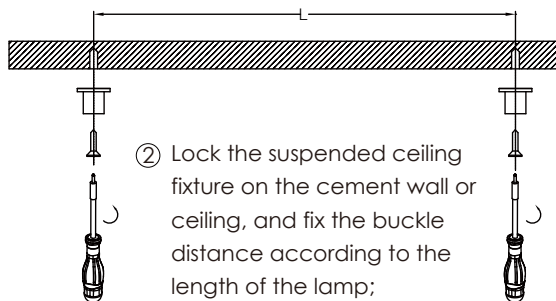


Local Graph

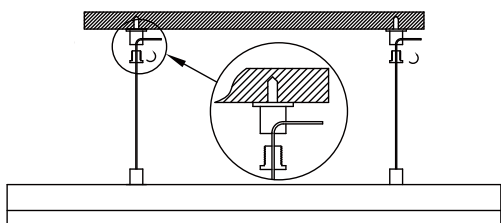
## Installation



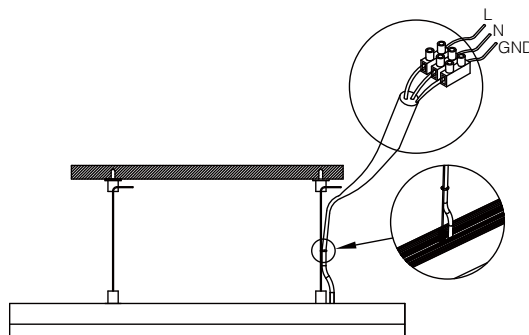
① Prepare the electric drill, hammer, stud;



② Lock the suspended ceiling fixture on the cement wall or ceiling, and fix the buckle distance according to the length of the lamp;



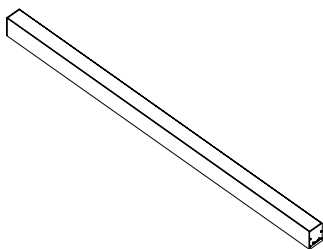
③ Lock the wire sling fixing parts, and fixed the installation length by adjust the wire sling;



④ Connect the power supply and complete the installation.

## Packing

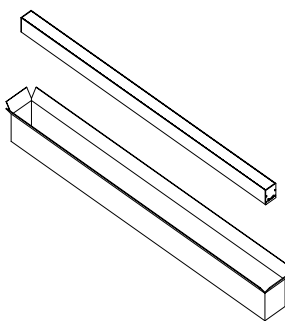
① Product



Model:HL-NA072-L12

Inner box:1280\*70\*95mm

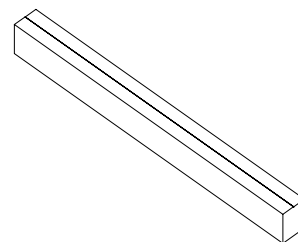
② Packing



Net Weight:3.9kg/PCS

Carton box:1290\*300\*200mm

③ Sealing



Gross Weight:4.2kg/PCS

QTY/Carton:8 PCS

## Notices

- 1.The power supply must be turned off before installation.
- 2.Make sure the product is mounted under the surface of the object to be installed, and finally turn on the power to light up.
- 3.This product is for indoor use only.
- 4.This product is warranted for 5 years and problems occur within 5 years (except for human factors and accidental factors), free maintenance.
- 5.The product is not responsible for damage caused by accidental factors or improper use.