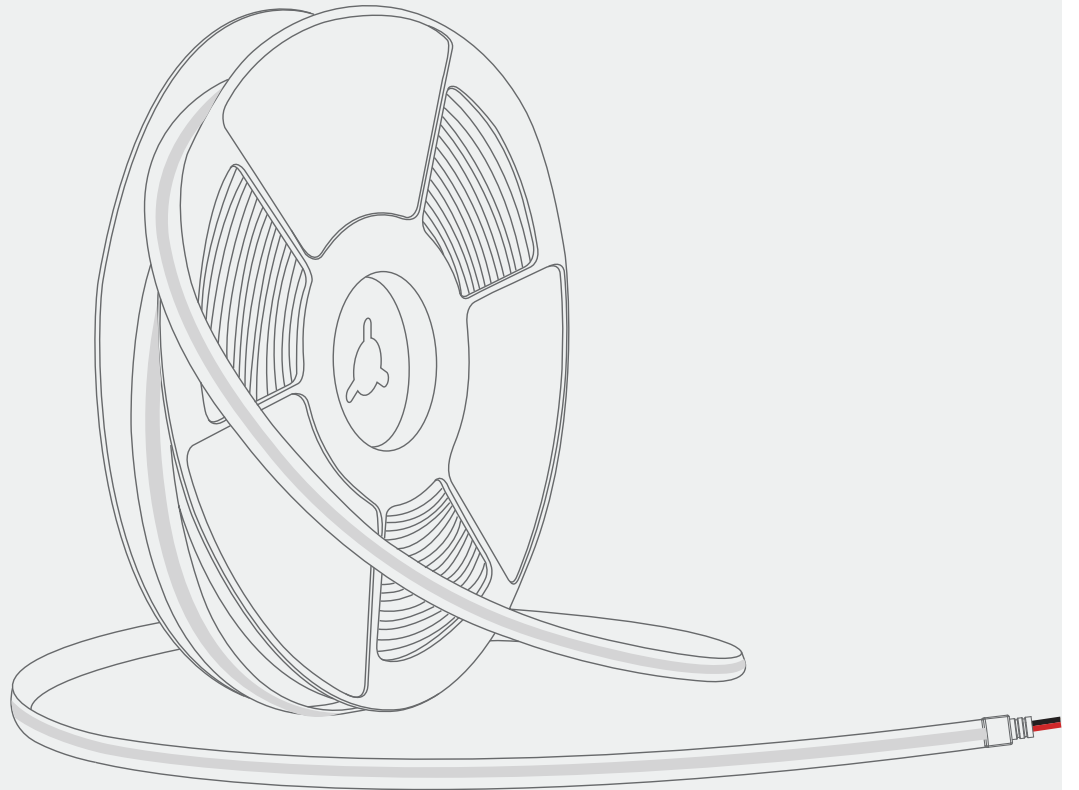




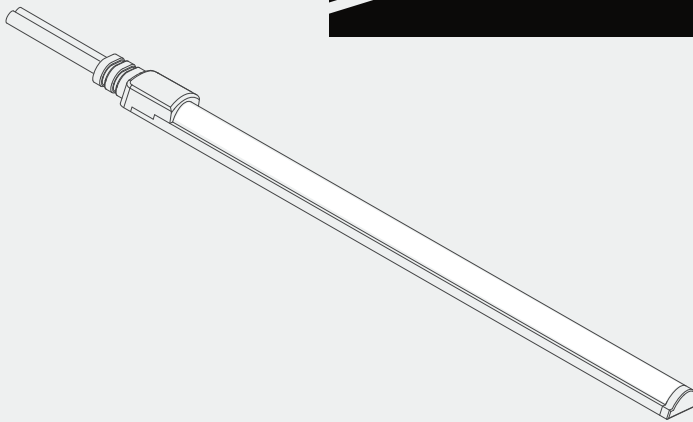
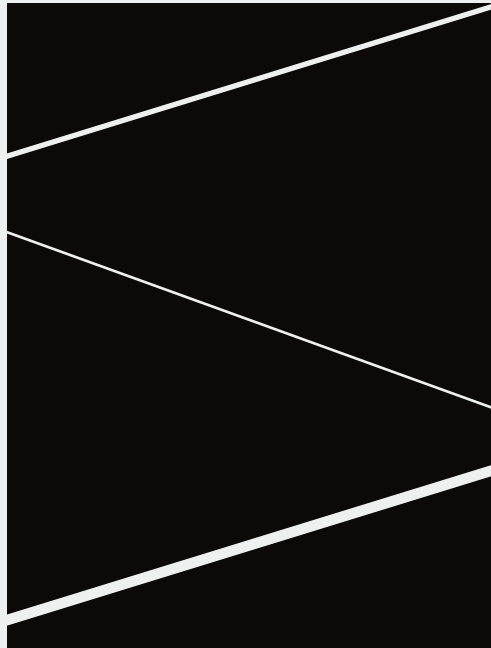
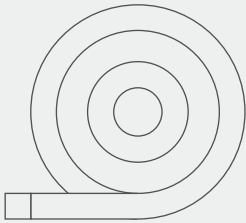
HELIAN



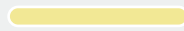
COB LED STRIP PLUS

HL-ST20V24-Cxx-PLUS 8

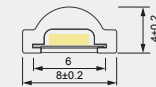
COB PLUS 8 soft LED light strip



8MM



Single Color

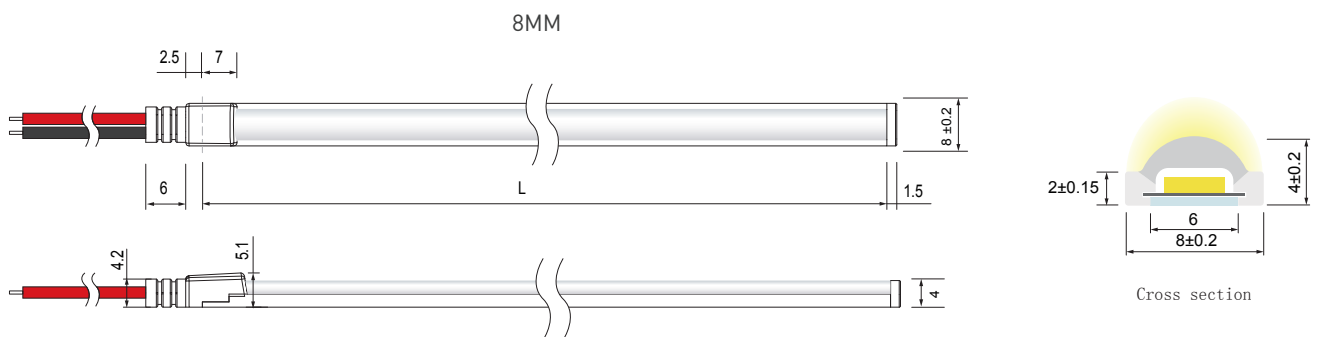


Cross section

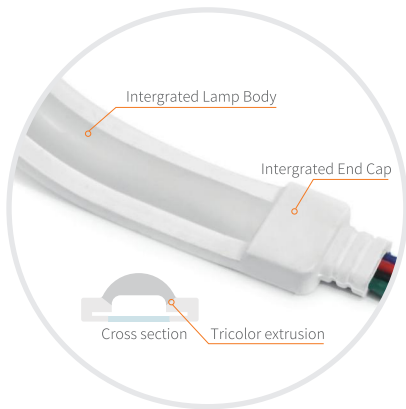


IP65

Dimension structure



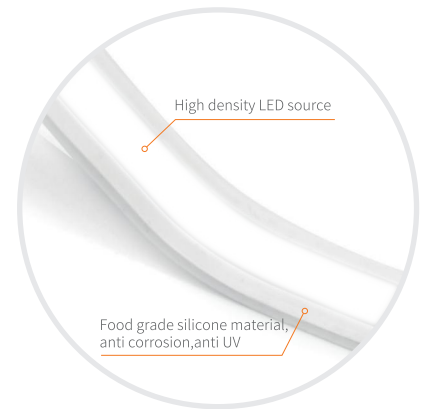
Features



More extreme vision

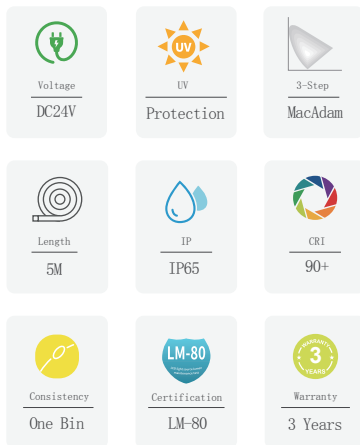


More perfect touch



More stable performance

Parameter Table For 8MM



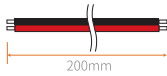
- Max. Run length refers to single side feed in serial connection.
- The given color temperature is the temperature of finished product.
- The given data are typical values due to the tolerances of the production process and the electrical components, values for light output and electrical power can vary up to 10%.
- Working Temperature: -20~+50°C

Single-Color

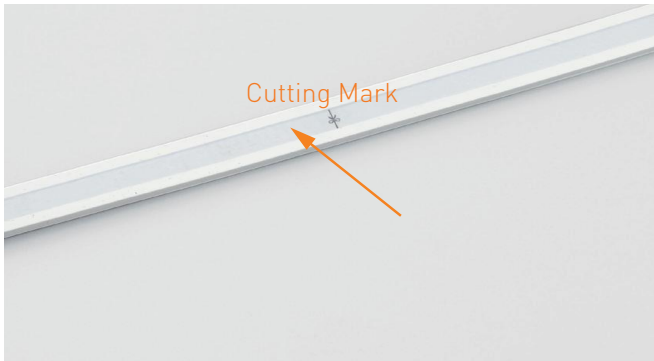
CCT(K)	CRI	SDCM	Power(W)	Lumen (LM/M)	Efficiency (LM/W)	Unit Length (mm)	Max. Run Length (M)	Voltage
2400	>90	<5	5	535	107.1	50	5	DC24V
			10	1010	101			
2700	>90	<5	5	546	109.2	50	5	DC24V
			10	1019	101.9			
3000	>90	<5	5	554	110.9	50	5	DC24V
			10	1046	104.6			
3500	>90	<5	5	599	119.8	50	5	DC24V
			10	1130	113			
4000	>90	<5	5	558	111.7	50	5	DC24V
			10	1077	107.7			
5000	>90	<5	5	552	110.4	50	5	DC24V
			10	1028	102.8			
6500	>90	<5	5	560	111.9	50	5	DC24V
			10	1056	105.6			
R	--	--	5	145	29.0	50	5	DC24V
			10	293	29.3			
G	--	--	5	381	76.2	50	5	DC24V
			10	685	68.5			
B	--	--	5	71	14.2	50	5	DC24V
			10	134	13.4			
Yellow	--	--	5	116	23.2	50	5	DC24V
			10	223	22.3			
Orange	--	--	5	136	27.2	50	5	DC24V
			10	274	27.4			
Pink	--	--	5	315	63	50	5	DC24V
			10	602	60.2			

* This maximum serial length refers to the recommended connection length of single-end power supply when the COB strip is fully loaded (RGB all on). In practical application, according to the final required effect, when the actual required power is small, the serial length can be extended as appropriate.

Cable Type

Cable Type	Schematic Diagram	Specification	Core	Electrical Properties
PVC Cable		20AWG Red&Black 2-core Cable	● ●	Red V+, Black V-

Cutting Mark



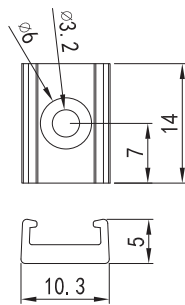
Remark: The bottom of the led strip has transparent window, the black marker is the cutting position



Use professional scissors to cut vertically at the cutting mark

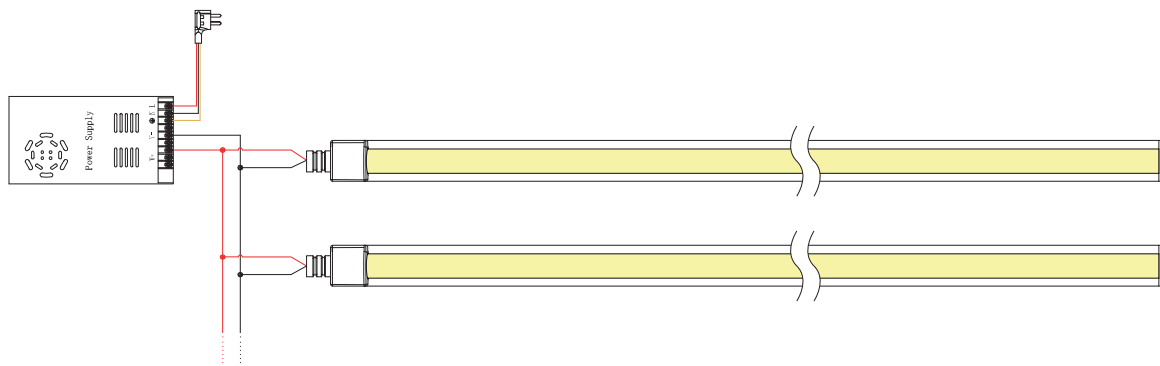
Mounting Accessories

C8 Clip



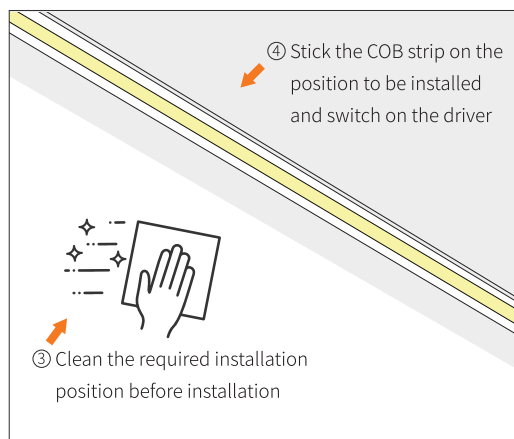
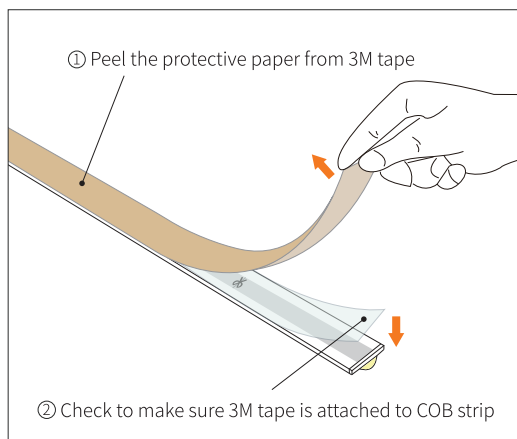
Dimension :
14x10.3x5
Accessories:
PA 3X10 Self tapping screw

Single Color Connection Diagram

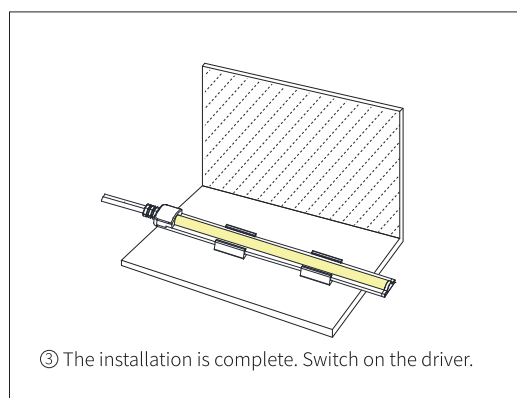
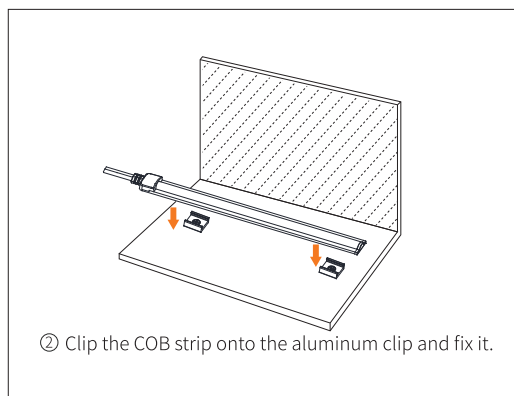
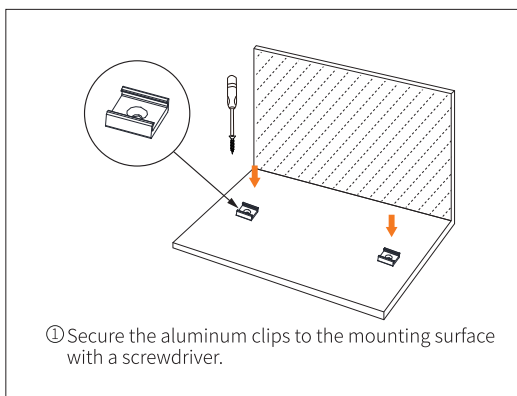


Installation Diagram

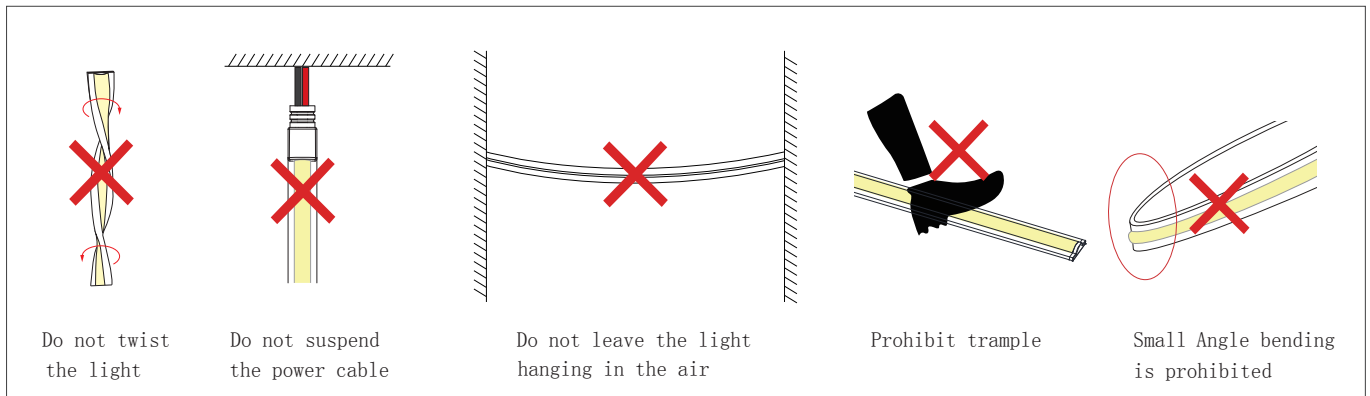
Installation with 3M tape



Installation with aluminum clips



Cautions



- ※The unused light should be sealed with the packaging bag to avoid prolonged exposure.
- ※Please use DC24V isolated constant voltage power supply with ripple voltage less than 5%. Using other types of power supply may damage the light or cause other safety risks.
- ※In practical application, 20% allowance should be reserved for power supply to ensure the stability of power supply.
- ※It is recommended that professionals connect the power supply. Do not connect the power supply with live power to avoid electric shock.
- ※Please confirm whether the voltage of the power supply is consistent with the voltage of the light; Pay attention to the positive and negative poles of the power cord, do not connect wrong, so as not to cause product damage;
- ※When multiple power supplies are used, ensure that the positive poles of the power supply are not connected in parallel. Otherwise, the power supply system may be unstable or damaged after long-term operation.
- ※If the actual application length exceeds the specified length, it will lead to overload, heating and uneven brightness of the light.
- ※During installation, please do not scratch, twist, or bend the light irregularly. Otherwise, the light may be damaged beyond repair.
- ※To ensure the life and reliability of the light, please do not over bend the light, which will damage the product itself.
- ※To protect your eyes, please avoid staring at the glowing surface of the light for a long time.
- ※Non-professionals are forbidden to install, disassemble and maintain the product.
- ※Do not use any acid or alkaline adhesive to fix the light (including but not limited to glass glue, etc.)
- ※Products of different waterproof levels apply to different environments. For example, IP65 cannot be used underwater.
- ※IP68 products are factory assembly only. If the user cut it, its waterproof grade will decline.
- ※Because of the difference in structure, even if the same color temperature value, different sizes of light will look slightly different colors. Please confirm it before use.

Tests showed that methanol and benzenes will have yellowing effects on silicone.

In the newly decorated interior environment, epoxy floor paint, wall paint, wallpaper adhesive, various decoration materials or new furniture, they are likely to release of methanol and benzenes.

It is recommended to remove methanol and benzenes first, or ventilate for a period of time in the newly decorated interior environment before install the silicone neon light, to avoid affecting the silicone body.

H E L I A N

**LED
LIGHTING**



Shenzhen Helian Electronics Co.,Ltd



3F, Tonggao building 2, Sanlian industrial area, Songbai Rd, Shiyan Town, Bao'an District, Shenzhen, Guangdong, China



OUR EMAIL

admin@hllcd.com



OUR PHONE

(86)-755-27606785

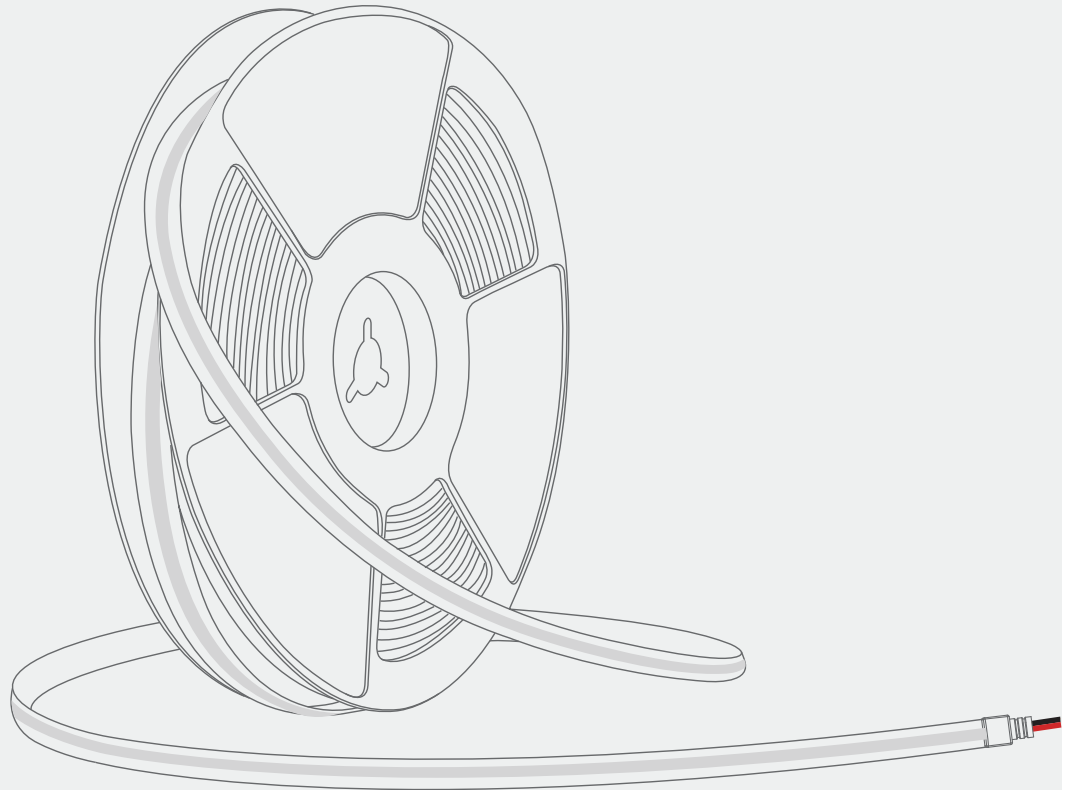


OUR WEBSITE

www.hllcd.com



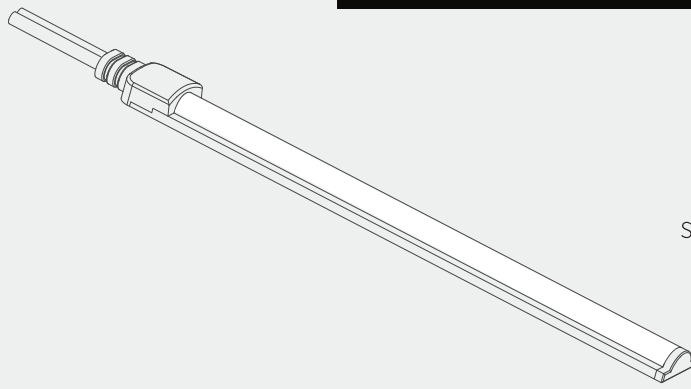
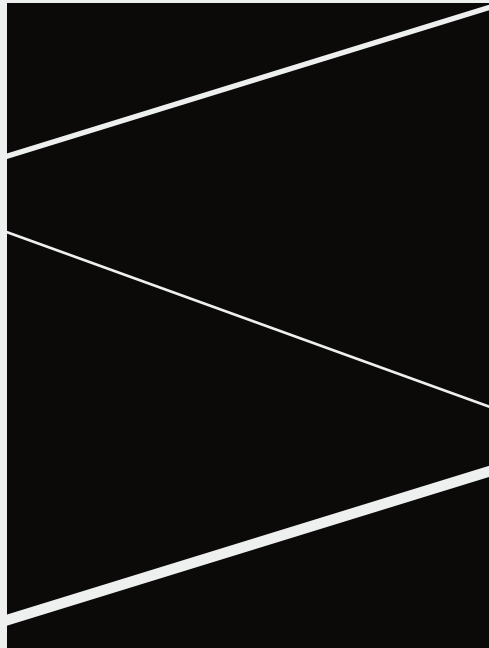
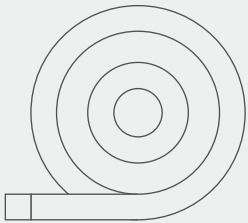
HELIAN



COB LED STRIP PLUS

HL-ST20V24-Cxx-PLUS 10

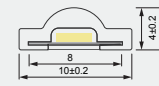
COB PLUS 10 soft LED light strip



10MM



Single Color /Dual-White
RGB/Digital RGB

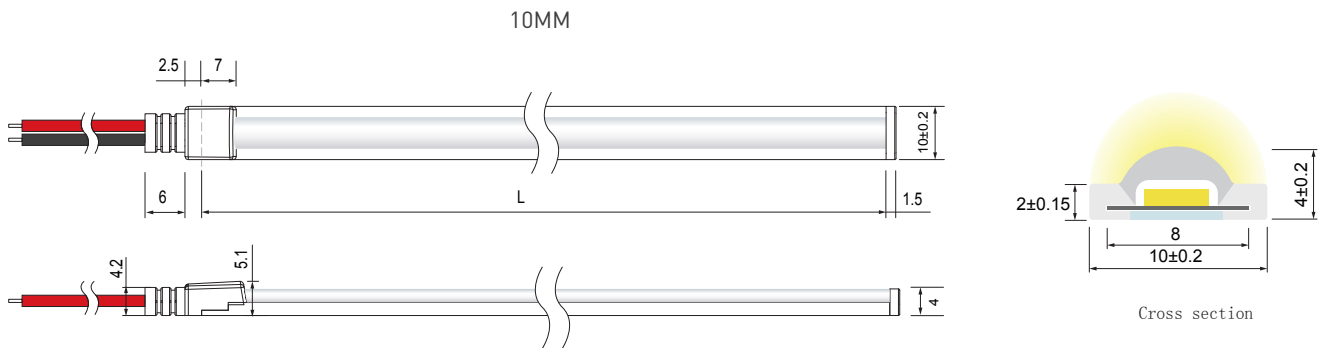


Cross section

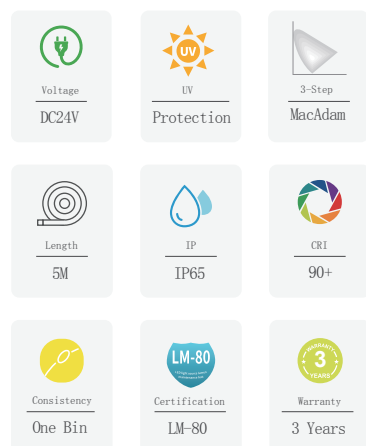


IP65

Dimension structure



Parameter Table For 10MM



- Max. Run length refers to single side feed in serial connection.
- The given color temperature is the temperature of finished product.
- The given data are typical values due to the tolerances of the production process and the electrical components, values for light output and electrical power can vary up to 10%.
- Working Temperature: -20~+50°C

Single-Color

CCT(K)		SDCM	Power(W)	Lumen (LM/M)	Efficiency (LM/W)	Unit Length (mm)	Max. Run Length (M)	Voltage
2400	>90	<5	5	409	81.9	25	5	DC24V
			10	815	81.5			
2700	>90	<5	5	423	84.6	25	5	DC24V
			10	822	82.2			
3000	>90	<5	5	422	84.4	25	5	DC24V
			10	829	82.9			
3500	>90	<5	5	476	95.2	25	5	DC24V
			10	918	91.8			
4000	>90	<5	5	439	87.9	25	5	DC24V
			10	866	86.6			
5000	>90	<5	5	443	88.5	25	5	DC24V
			10	869	86.9			
6500	>90	<5	5	453	90.6	25	5	DC24V
			10	886	88.6			
R	--	--	5	146	29.2	25	5	DC24V
			10	308	30.8			
G	CRI	--	5	413	82.6	25	5	DC24V
			10	707	70.7			
B	--	--	5	70	14	25	5	DC24V
			10	137	13.7			
Yellow	--	--	5	106	21.2	25	5	DC24V
			10	226	22.6			
Orange	--	--	5	128	25.6	25	5	DC24V
			10	278	27.8			
Pink	--	--	5	287	57.4	25	5	DC24V
			10	567	56.7			

Dual-White

CCT(K)	CRI	SDCM	Power(W)	Lumen (LM/M)	Efficiency (LM/W)	Unit Length (mm)	Max. Run Length(M)	Voltage
2700	>90	<5	5	415	83.0	83.3	5	DC24V
6500			5	418	83.6			
4000±300			10	826	82.6			

RGB


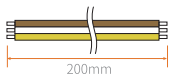

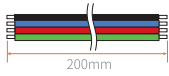
Power(W)	Color	Lumen(LM/M)	Efficiency(LM/W)	Unit Length (mm)	Max. Run Length(M)	Voltage
10	R	60	18.2	50	5	DC24V
	G	176	53.3			
	B	32	9.7			
	RGB	268	26.8			

Digital RGB

Voltage (V)	Power(W)	Color	Lumen (LM/M)	Efficiency (LM/W)	Pixel (PCS)	Signal Type	IC Model	UnitLength (mm)	Max. Run Length(M)
5	8	R	19.8	7.4	100	SPI	UCS1903	10	2
		G	59.3	22.2					
		B	11.5	4.3					
		RGB	87.3	10.9					

* This maximum serial length refers to the recommended connection length of single-end power supply when the COB strip is fully loaded (RGB all on). In practical application, according to the final required effect, when the actual required power is small, the serial length can be extended as appropriate.

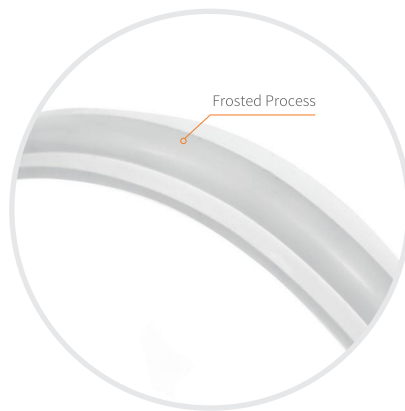
Cable Type

Cable Type	Schematic Diagram	Specification	Core	Electrical Properties
PVC Cable		20AWG Red&Black 2-core Cable	● ●	Red V+, Black V-
		20AWG Brown&White&Yellow 3-core Cable	● ○ ●	Dual-White: Brown V+, White W, Yellow WW
		20AWG Brown&White&Yellow 3-core Cable	● ○ ●	Digital RGB: Brown V+, White DI, Yellow GND
		20AWG Black&Blue&Red&Green 4-core Cable	● ● ● ●	Black V+, Blue B, Red R, Green G

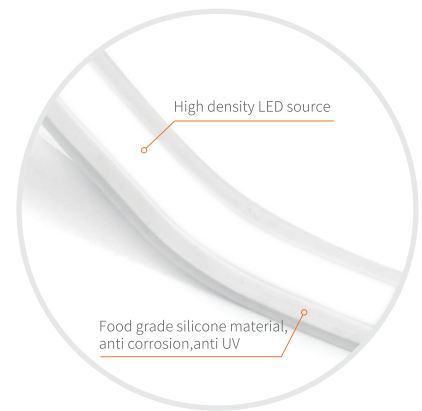
Features



More extreme vision



More perfect touch



More stable performance

Cutting Mark



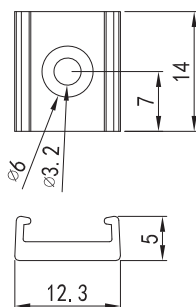
Remark:The bottom of the led strip has transparent window, the black marker is the cutting position



Use professional scissors to cut vertically at the cutting mark

Mounting Accessories

C10 Clip

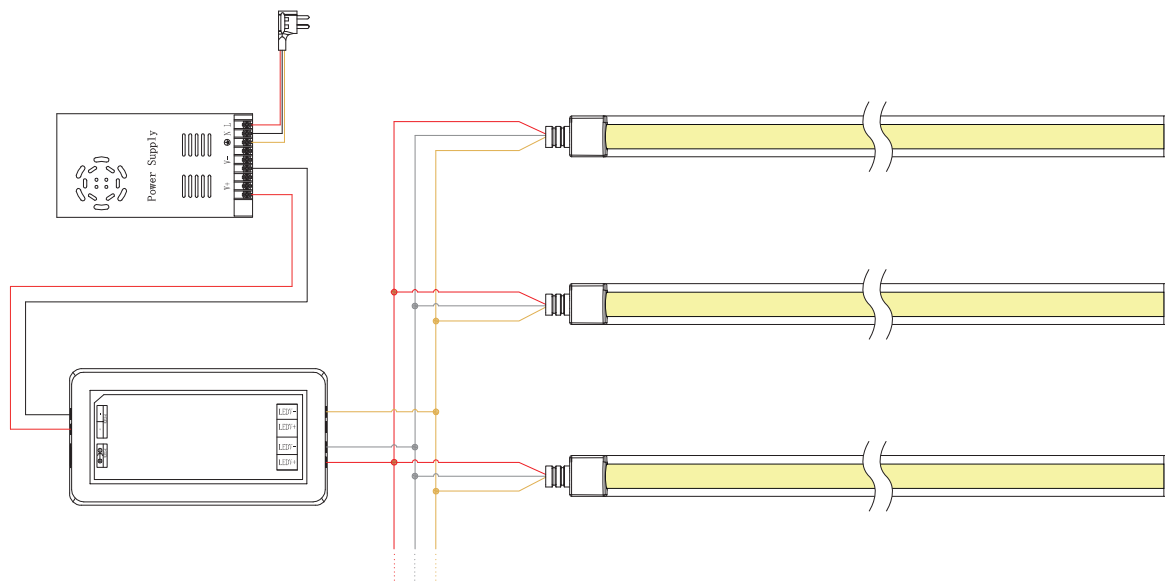


Dimension:
14x12.3x5
Accessories:
PA 3X10 Self tapping screw

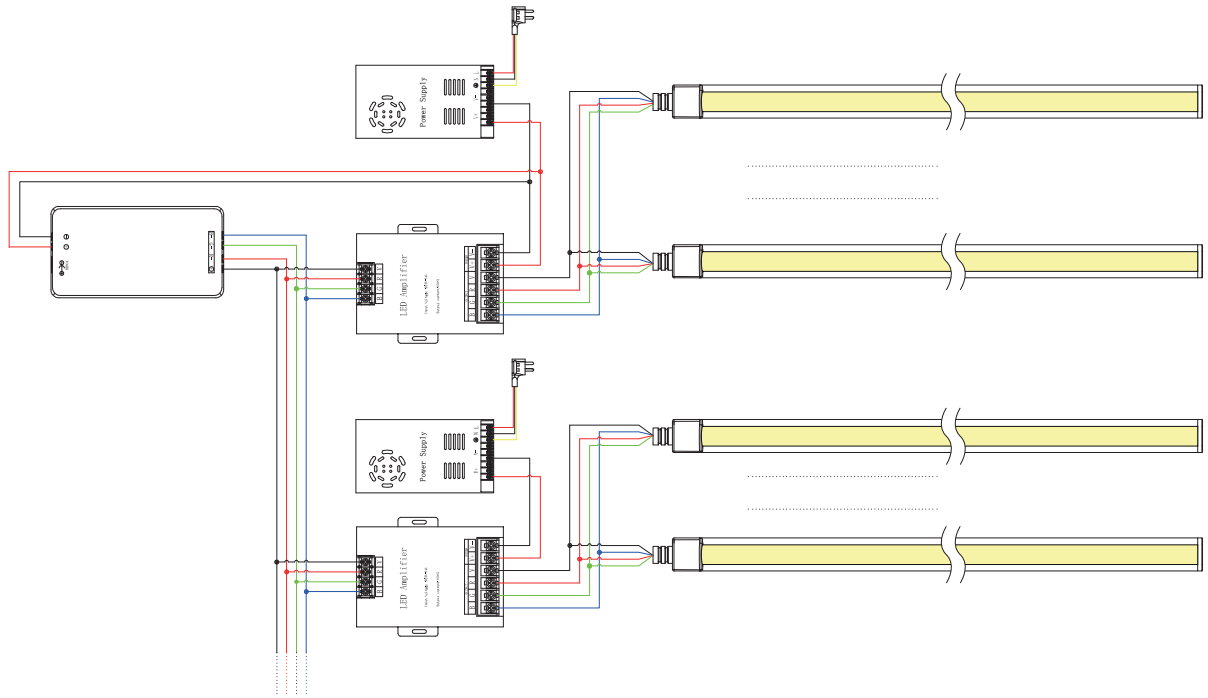
Single Color Connection Diagram



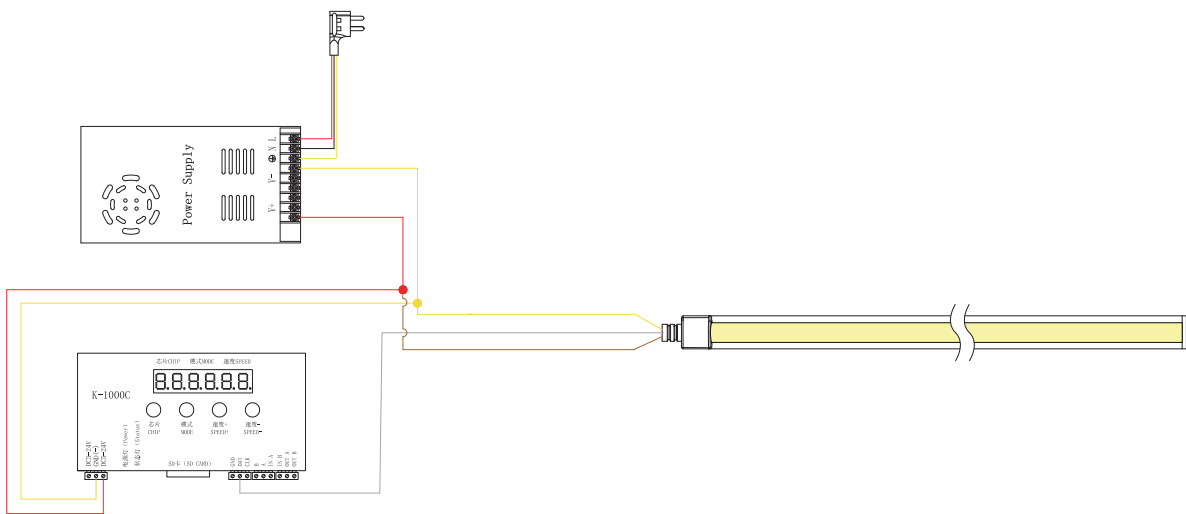
Tunable white Connection Diagram



RGB Connection Diagram

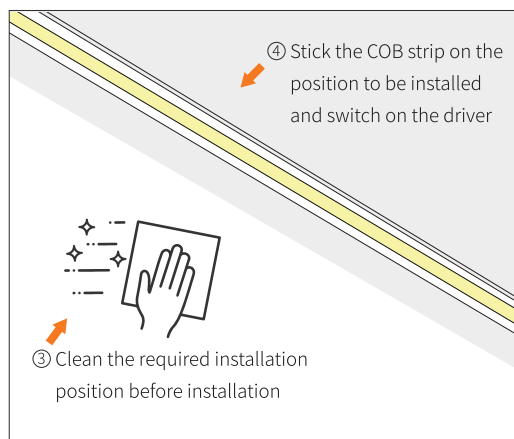
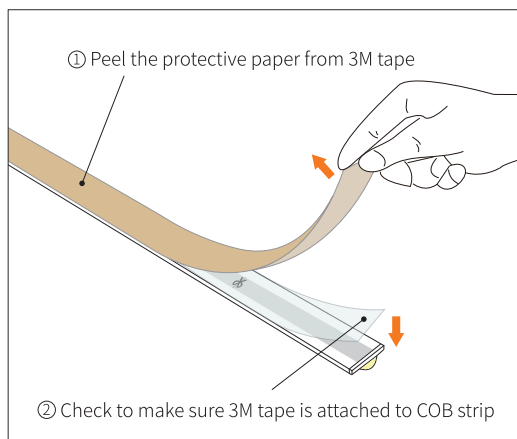


Digital RGB Connection Diagram

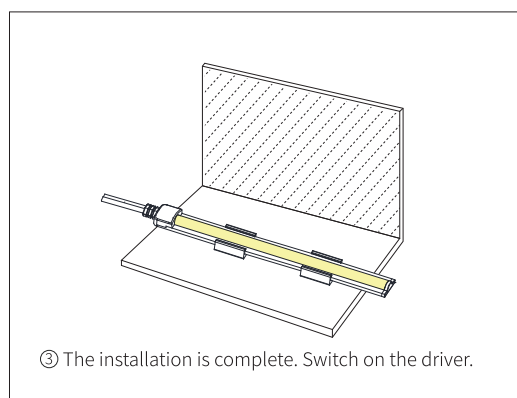
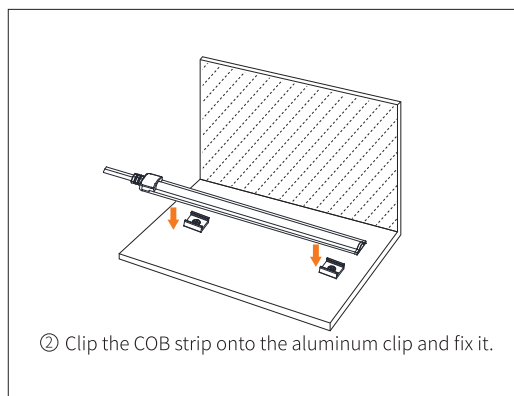
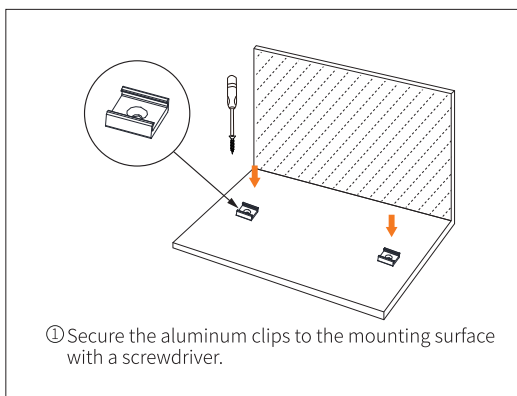


Installation Diagram

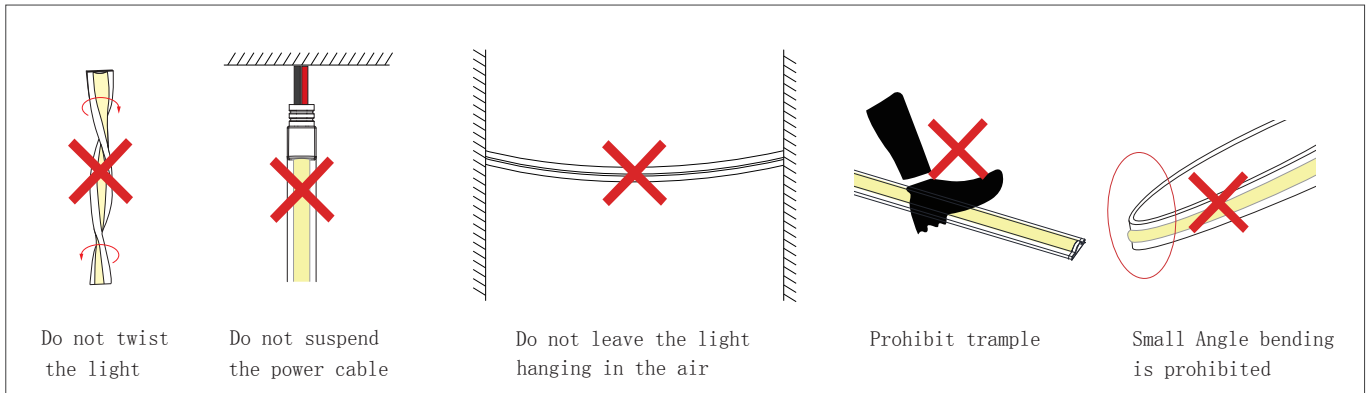
Installation with 3M tape



Installation with aluminum clips



Cautions



- ※The unused light should be sealed with the packaging bag to avoid prolonged exposure.
- ※Please use DC24V isolated constant voltage power supply with ripple voltage less than 5%. Using other types of power supply may damage the light or cause other safety risks.
- ※In practical application, 20% allowance should be reserved for power supply to ensure the stability of power supply.
- ※It is recommended that professionals connect the power supply. Do not connect the power supply with live power to avoid electric shock.
- ※Please confirm whether the voltage of the power supply is consistent with the voltage of the light; Pay attention to the positive and negative poles of the power cord, do not connect wrong, so as not to cause product damage;
- ※When multiple power supplies are used, ensure that the positive poles of the power supply are not connected in parallel. Otherwise, the power supply system may be unstable or damaged after long-term operation.
- ※If the actual application length exceeds the specified length, it will lead to overload, heating and uneven brightness of the light.
- ※During installation, please do not scratch, twist, or bend the light irregularly. Otherwise, the light may be damaged beyond repair.
- ※To ensure the life and reliability of the light, please do not over bend the light, which will damage the product itself.
- ※To protect your eyes, please avoid staring at the glowing surface of the light for a long time.
- ※Non-professionals are forbidden to install, disassemble and maintain the product.
- ※Do not use any acid or alkaline adhesive to fix the light (including but not limited to glass glue, etc.)
- ※Products of different waterproof levels apply to different environments. For example, IP65 cannot be used underwater.
- ※IP68 products are factory assembly only. If the user cut it, its waterproof grade will decline.
- ※Because of the difference in structure, even if the same color temperature value, different sizes of light will look slightly different colors. Please confirm it before use.

Tests showed that methanol and benzenes will have yellowing effects on silicone.

In the newly decorated interior environment, epoxy floor paint, wall paint, wallpaper adhesive, various decoration materials or new furniture, they are likely to release of methanol and benzenes.

It is recommended to remove methanol and benzenes first, or ventilate for a period of time in the newly decorated interior environment before install the silicone neon light, to avoid affecting the silicone body.

H E L I A N

**LED
LIGHTING**



Shenzhen Helian Electronics Co.,Ltd



3F, Tonggao building 2, Sanlian industrial area, Songbai Rd, Shiyan Town, Bao'an District, Shenzhen, Guangdong, China



OUR EMAIL

admin@hllcd.com



OUR PHONE

(86)-755-27606785

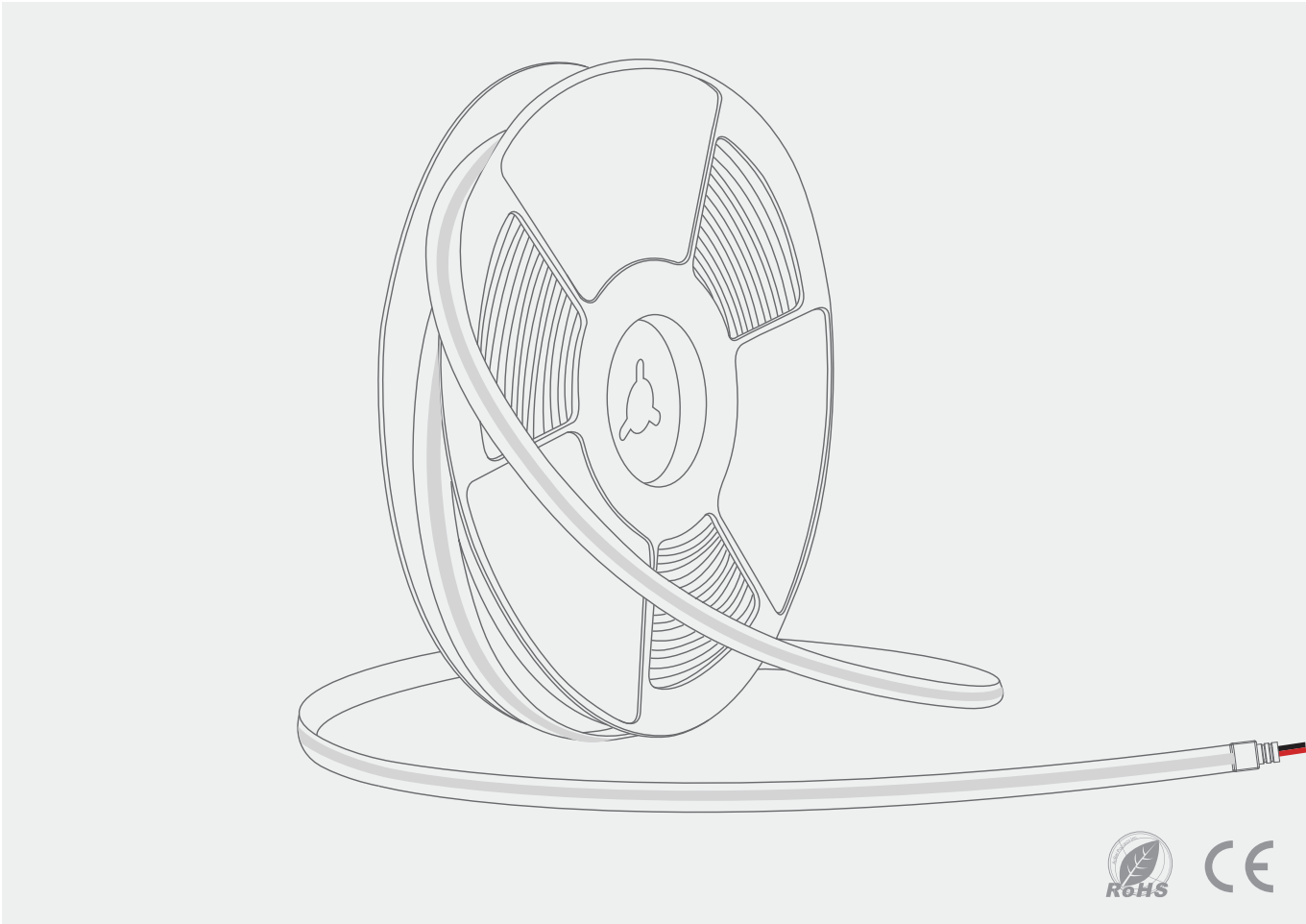


OUR WEBSITE

www.hllcd.com



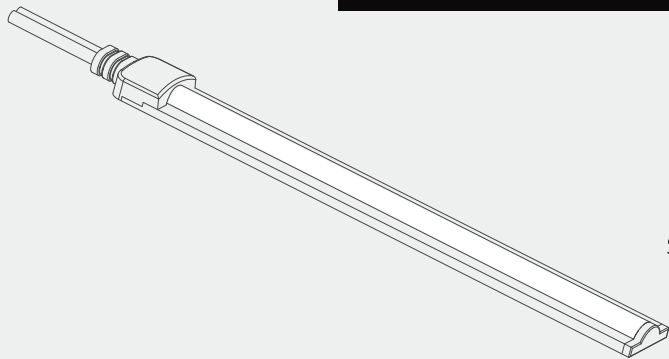
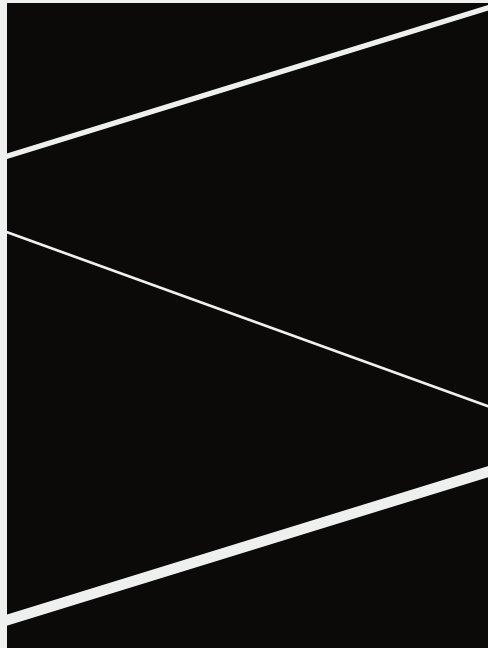
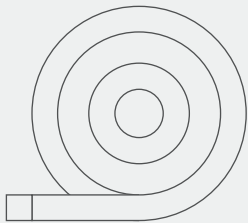
HELIAN



COB LED STRIP PLUS

HL-ST20V24-Cxx-PLUS 12

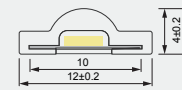
COB PLUS 12 soft LED light strip



12MM



Single Color /Dual-White
RGB/Digital RGB



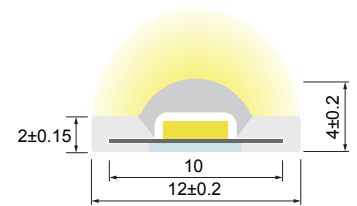
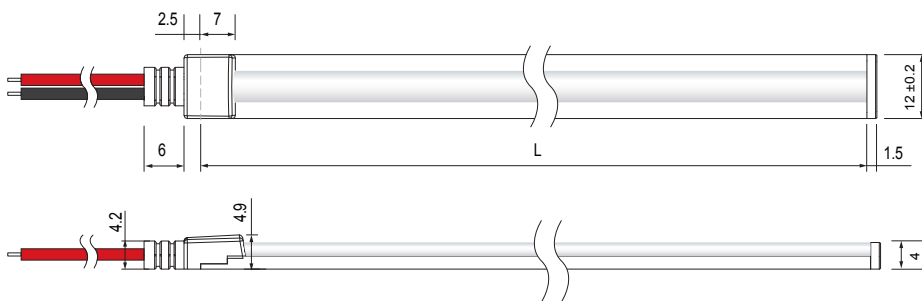
Cross section



IP65

Dimension structure

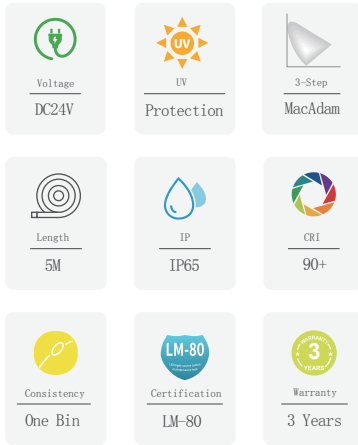
12MM



Cross section

Parameter Table For 12MM


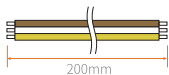

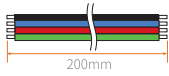
Single-Color



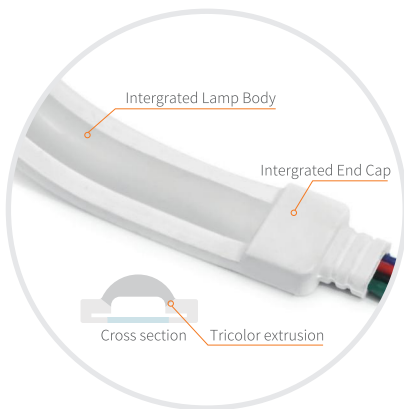
- Max. Run length refers to single side feed in serial connection.
- The given color temperature is the temperature of finished product.
- The given data are typical values due to the tolerances of the production process and the electrical components, values for light output and electrical power can vary up to 10%.
- Working Temperature: -20~+50°C

CCT(K)	CRI	SDCM	Power(W)	Lumen (LM/M)	Efficiency (LM/W)	Unit Length (mm)	Max. Run Length (M)	Voltage
2400	>90	<5	5	429	85.9	25	5	DC24V
			10	826	82.6			
			15	1208	80.6			
2700	>90	<5	5	433	86.6	25	5	DC24V
			10	833	83.3			
			15	1244	82.9			
3000	>90	<5	5	436	87.3	25	5	DC24V
			10	840	84			
			15	1243	82.8			
3500	>90	<5	5	484	96.7	25	5	DC24V
			10	930	93			
			15	1364	91			
4000	>90	<5	5	442	88.4	25	5	DC24V
			10	851	85.1			
			15	1258	83.9			
5000	>90	<5	5	443	88.7	25	5	DC24V
			10	854	85.4			
			15	1259	84			
6500	>90	<5	5	450	90	25	5	DC24V
			10	867	86.7			
			15	1270	84.6			
R	--	--	5	142	28.4	25	5	DC24V
			10	281	28.1			
			15	416	27.7			
G	--	--	5	349	69.8	25	5	DC24V
			10	628	62.8			
			15	823	54.9			
B	--	--	5	62	12.4	25	5	DC24V
			10	121	12.1			
			15	176	11.7			
Yellow	--	--	5	88	17.6	25	5	DC24V
			10	200	20			
			15	294	19.6			
Orange	--	--	5	108	21.6	25	5	DC24V
			10	246	24.6			
			15	345	23			
Pink	--	--	5	274	54.8	25	5	DC24V
			10	519	51.9			
			15	755	50.3			

Cable Type

Cable Type	Schematic Diagram	Specification	Core	Electrical Properties
PVC Cable		20AWG Red&Black 2-core Cable	● ●	Red V+, Black V-
		20AWG Brown&White&Yellow 3-core Cable	● ○ ●	Dual-White: Brown V+, White W, Yellow WW
		20AWG Brown&White&Yellow 3-core Cable	● ○ ●	Digital RGB: Brown V+, White DI, Yellow GND
		20AWG Black&Blue&Red&Green 4-core Cable	● ● ● ●	Black V+, Blue B, Red R, Green G

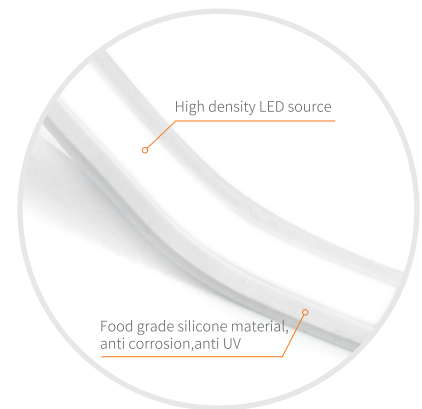
Features



More extreme vision



More perfect touch



More stable performance

Cutting Mark



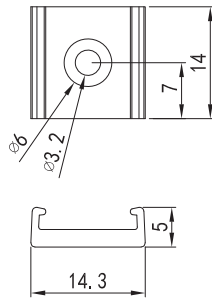
Remark: The bottom of the led strip has transparent window, the black marker is the cutting position



Use professional scissors to cut vertically at the cutting mark

Mounting Accessories

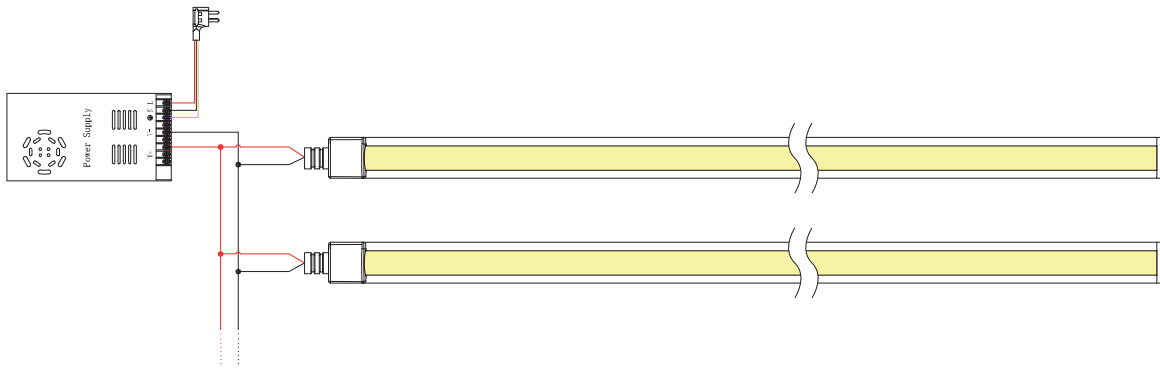
C12 Clip



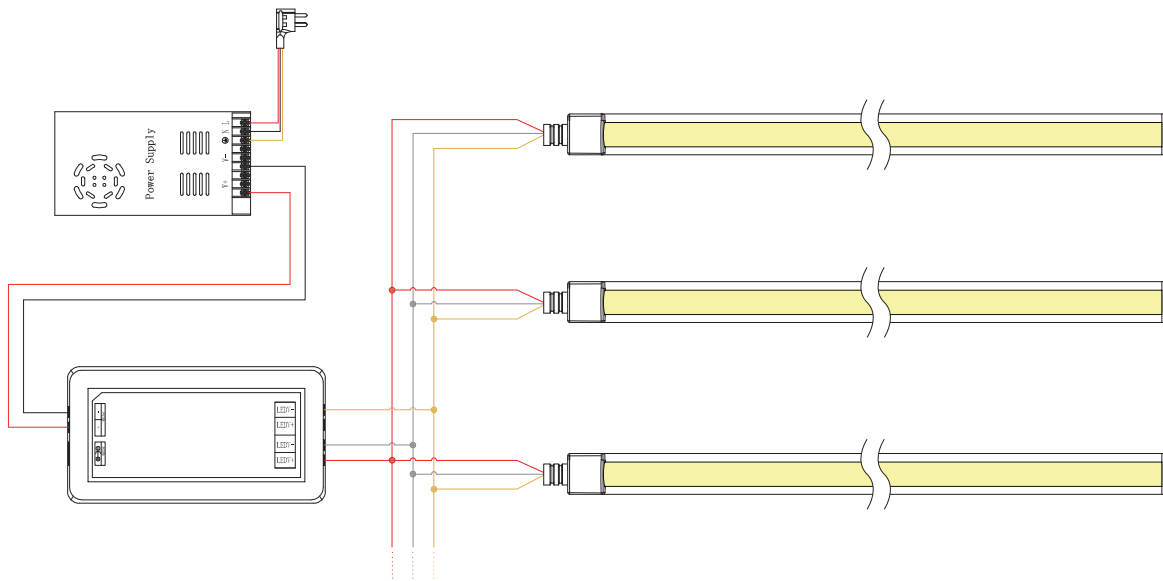
Dimension:
14x14.3x5

Accessories:
PA 3X10 Self tapping screw

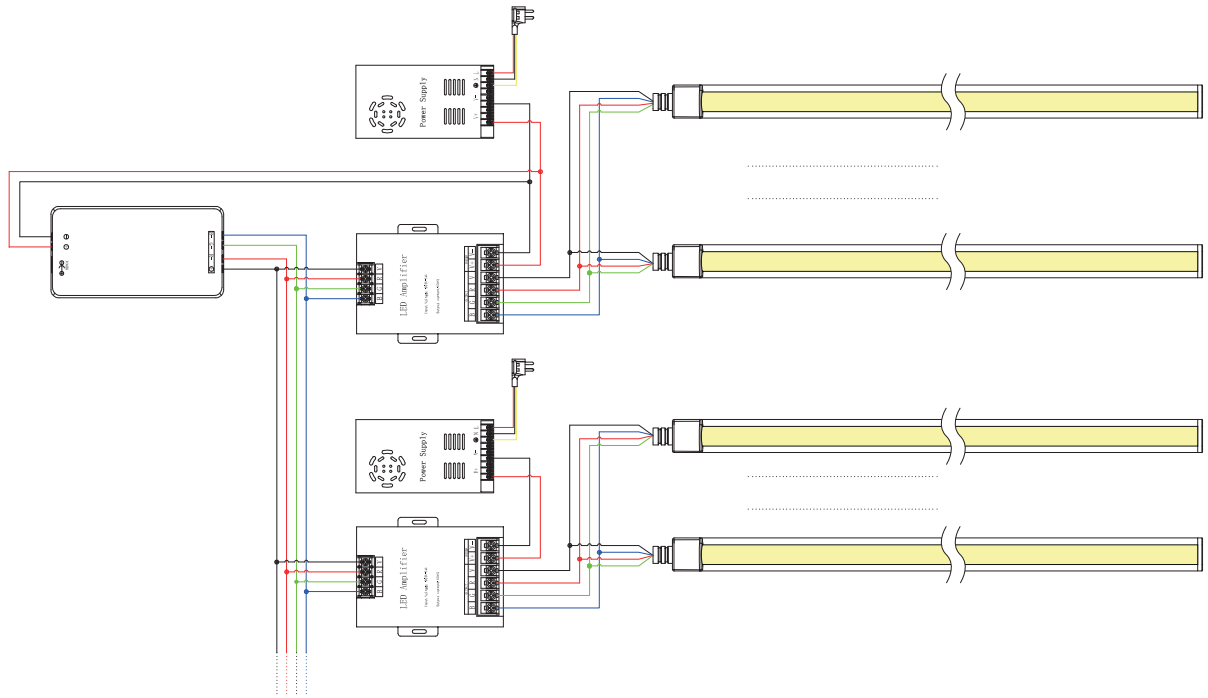
Single Color Connection Diagram



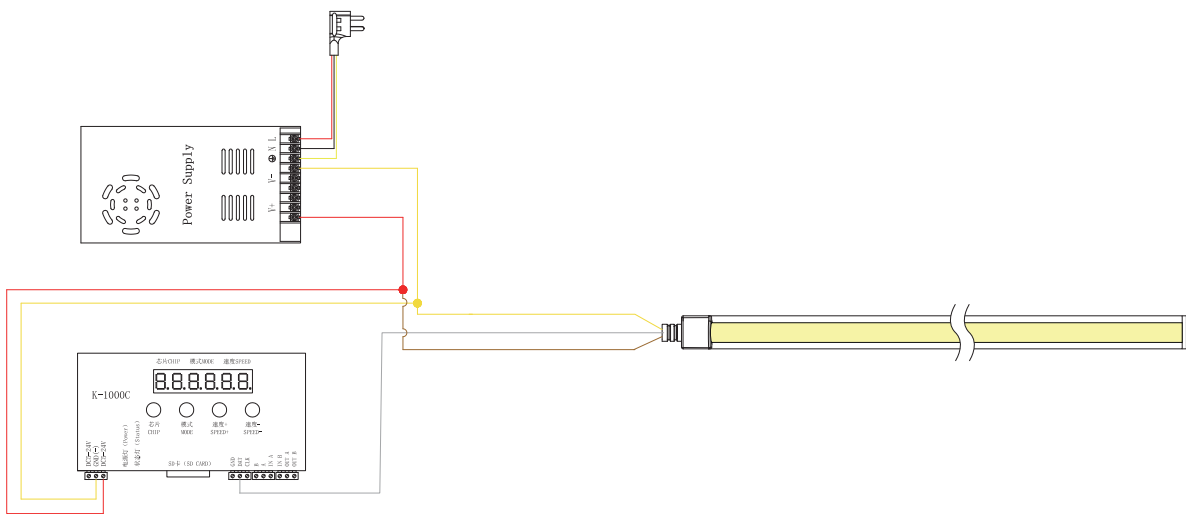
Tunable white Connection Diagram



RGB Connection Diagram

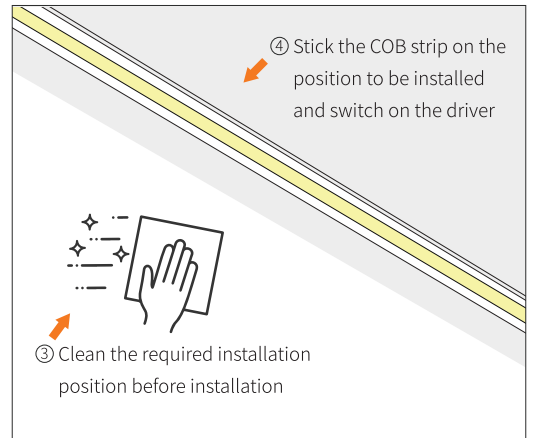
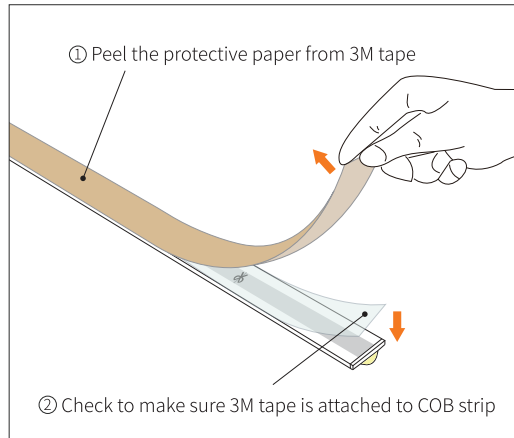


Digital RGB Connection Diagram

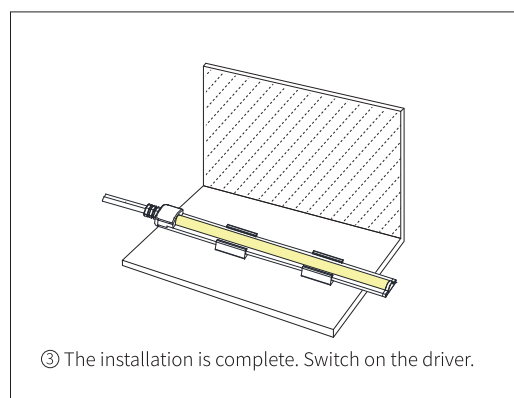
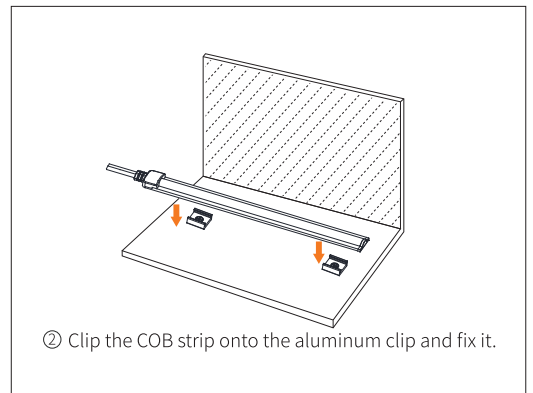
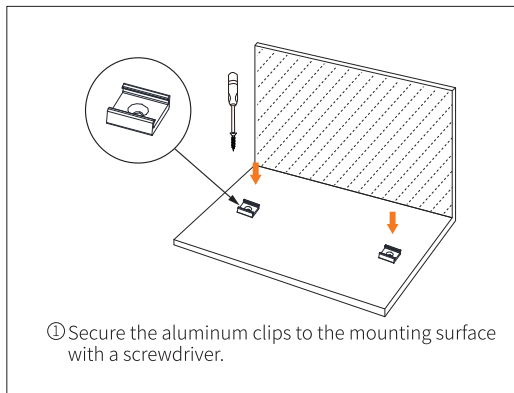


Installation Diagram

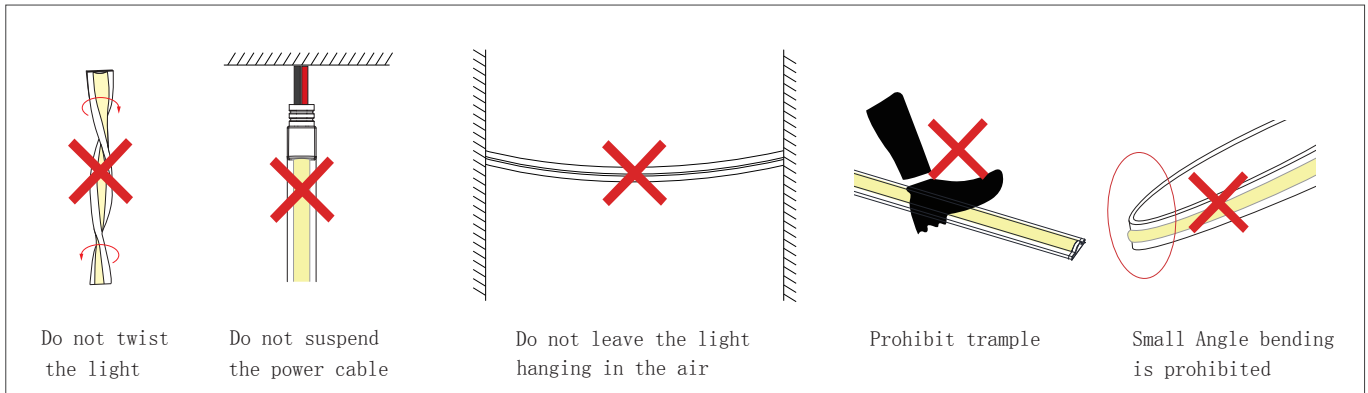
Installation with 3M tape



Installation with aluminum clips



Cautions



- ※The unused light should be sealed with the packaging bag to avoid prolonged exposure.
- ※Please use DC24V isolated constant voltage power supply with ripple voltage less than 5%. Using other types of power supply may damage the light or cause other safety risks.
- ※In practical application, 20% allowance should be reserved for power supply to ensure the stability of power supply.
- ※It is recommended that professionals connect the power supply. Do not connect the power supply with live power to avoid electric shock.
- ※Please confirm whether the voltage of the power supply is consistent with the voltage of the light; Pay attention to the positive and negative poles of the power cord, do not connect wrong, so as not to cause product damage;
- ※When multiple power supplies are used, ensure that the positive poles of the power supply are not connected in parallel. Otherwise, the power supply system may be unstable or damaged after long-term operation.
- ※If the actual application length exceeds the specified length, it will lead to overload, heating and uneven brightness of the light.
- ※During installation, please do not scratch, twist, or bend the light irregularly. Otherwise, the light may be damaged beyond repair.
- ※To ensure the life and reliability of the light, please do not over bend the light, which will damage the product itself.
- ※To protect your eyes, please avoid staring at the glowing surface of the light for a long time.
- ※Non-professionals are forbidden to install, disassemble and maintain the product.
- ※Do not use any acid or alkaline adhesive to fix the light (including but not limited to glass glue, etc.)
- ※Products of different waterproof levels apply to different environments. For example, IP65 cannot be used underwater.
- ※IP68 products are factory assembly only. If the user cut it, its waterproof grade will decline.
- ※Because of the difference in structure, even if the same color temperature value, different sizes of light will look slightly different colors. Please confirm it before use.

Tests showed that methanol and benzenes will have yellowing effects on silicone.

In the newly decorated interior environment, epoxy floor paint, wall paint, wallpaper adhesive, various decoration materials or new furniture, they are likely to release of methanol and benzenes.

It is recommended to remove methanol and benzenes first, or ventilate for a period of time in the newly decorated interior environment before install the silicone neon light, to avoid affecting the silicone body.

H E L I A N

**LED
LIGHTING**



Shenzhen Helian Electronics Co.,Ltd



3F, Tonggao building 2, Sanlian industrial area, Songbai Rd, Shiyan Town, Bao'an District, Shenzhen, Guangdong, China



OUR EMAIL

admin@hllled.com



OUR PHONE

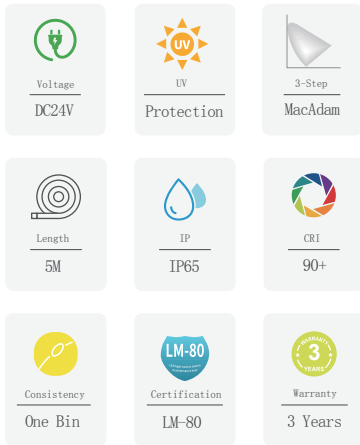
(86)-755-27606785



OUR WEBSITE

www.hllled.com

Parameter Table For 12MM



- Max. Run length refers to single side feed in serial connection.
- The given color temperature is the temperature of finished product.
- The given data are typical values due to the tolerances of the production process and the electrical components, values for light output and electrical power can vary up to 10%.
- Working Temperature: -20~+50°C

Dual-White

CCT(K)	CRI	SDCM	Power(W)	Lumen (LM/M)	Efficiency (LM/W)	Unit Length (mm)	Max. Run Length(M)	Voltage
2700	>90	<5	5	422	84.4	83.3	5	DC24V
6500			5	434	86.8			
4000±300			10	849	84.9			
2700	>90	<5	7.5	619	82.5	83.3	5	DC24V
6500			7.5	639	85.2			
4000±300			15	1241	82.7			

RGB

Power(W)	Color	Lumen(LM/M)	Efficiency(LM/W)	Unit Length (mm)	Max. Run Length(M)	Voltage
10	R	54	16.4	50	5	DC24V
	G	175	53.0			
	B	31	9.4			
	RGB	264	26.4			
15	R	76	15.2	50	5	DC24V
	G	233	46.6			
	B	39	7.8			
	RGB	339	22.6			

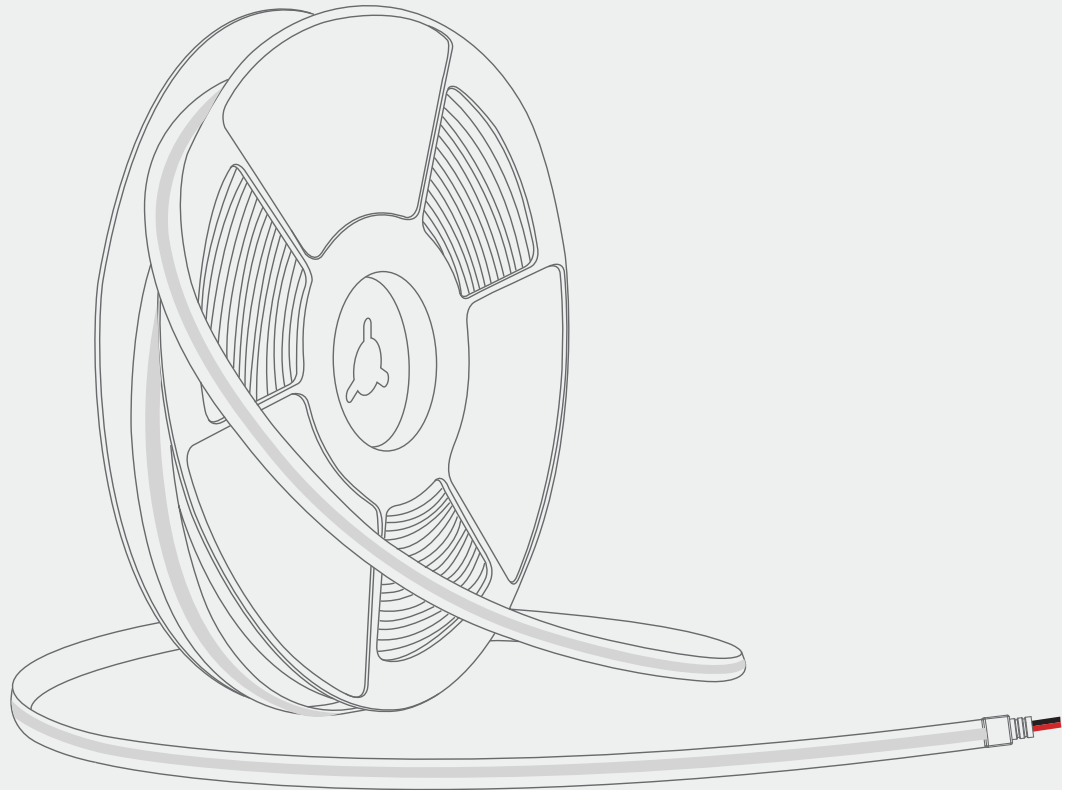
Digital RGB

Voltage (V)	Power(W)	Color	Lumen (LM/M)	Efficiency (LM/W)	Pixel (PCS)	Signal Type	IC Model	Unit Length (mm)	Max. Run Length(M)
12	13	R	42.6	3.3	100	SPI	UCS1903	10	3
		G	141.6	10.9					
		B	33	2.5					
		RGB	208.5	16.0					

* This maximum serial length refers to the recommended connection length of single-end power supply when the COB strip is fully loaded (RGB all on). In practical application, according to the final required effect, when the actual required power is small, the serial length can be extended as appropriate.



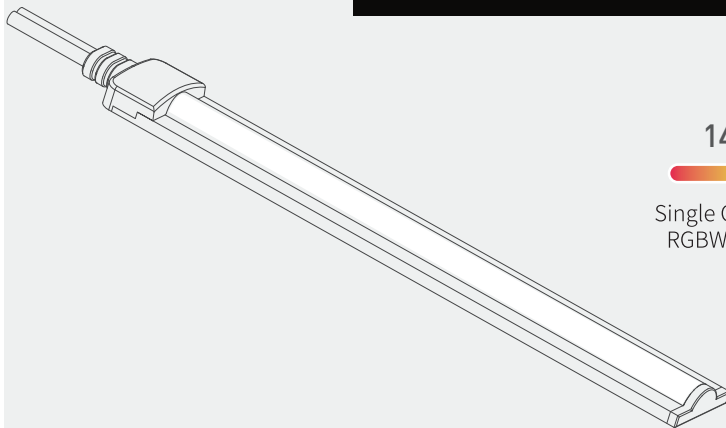
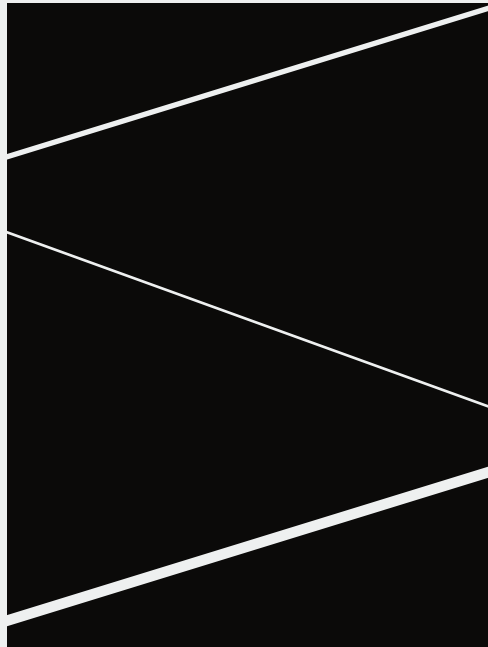
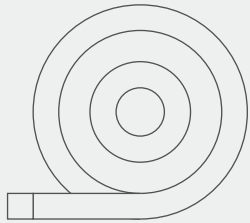
HELIAN




COB LED STRIP PLUS

HL-ST20V24-Cxx-PLUS 14

COB PLUS 14 soft LED light strip



14MM
 Single Color /Dual-White/RGB
 RGBW/RGBWW/Digital RGB

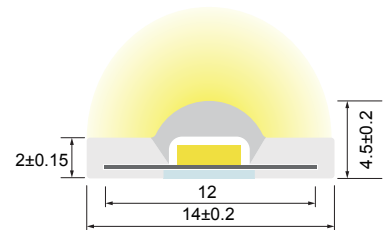
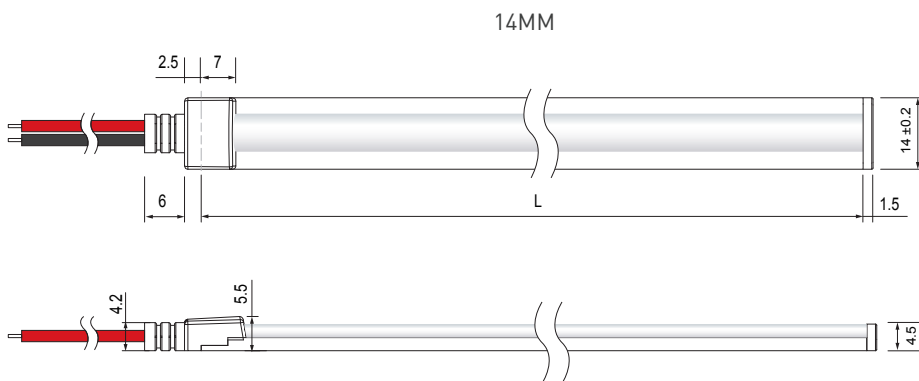


Cross section



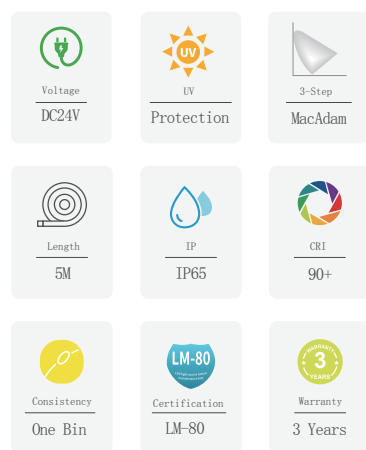
IP65

Dimension structure



Cross section

Parameter Table For 14MM



- Max. Run length refers to single side feed in serial connection.
- The given color temperature is the temperature of finished product.
- The given data are typical values due to the tolerances of the production process and the electrical components, values for light output and electrical power can vary up to 10%.
- Working Temperature: -20~+50°C

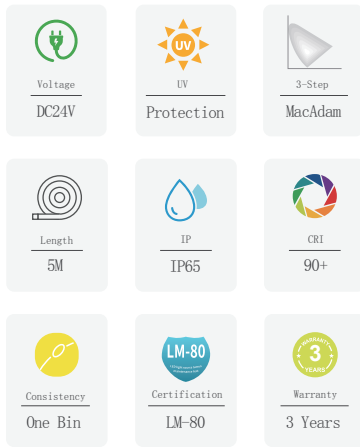
Single-Color

CCT(K)	CRI	SDCM	Power(W)	Lumen (LM/M)	Efficiency (LM/W)	Unit Length (mm)	Max. Run Length (M)	Voltage
2400	>90	<5	5	449	89.8	25	5	DC24V
			10	845	84.5			
			15	1234	82.3			
2700	>90	<5	5	445	89.1	25	5	DC24V
			10	853	85.3			
			15	1272	84.8			
3000	>90	<5	5	444	88.7	25	5	DC24V
			10	858	85.8			
			15	1271	84.7			
3500	>90	<5	5	489	97.7	25	5	DC24V
			10	950	95			
			15	1399	93.2			
4000	>90	<5	5	449	89.9	25	5	DC24V
			10	862	86.2			
			15	1273	84.9			
5000	>90	<5	5	453	90.6	25	5	DC24V
			10	869	86.9			
			15	1283	85.5			
6500	>90	<5	5	458	91.6	25	5	DC24V
			10	879	87.9			
			15	1298	86.5			
R	--	--	5	142	28.4	25	5	DC24V
			10	282	28.2			
			15	420	28			
G	--	--	5	375	75	25	5	DC24V
			10	674	67.4			
			15	882	58.8			
B	--	--	5	70	14	25	5	DC24V
			10	123	12.3			
			15	179	11.9			
Yellow	--	--	5	116	23.2	25	5	DC24V
			10	223	22.3			
			15	318	21.2			
Orange	--	--	5	140	28	25	5	DC24V
			10	274	27.4			
			15	386	25.7			
Pink	--	--	5	287	57.4	25	5	DC24V
			10	534	53.4			
			15	782	52.1			

Dual-White

CCT(K)	CRI	SDCM	Power(W)	Lumen (LM/M)	Efficiency (LM/W)	Unit Length (mm)	Max. Run Length(M)	Voltage
2700	>90	<5	5	437	87.4	83.3	5	DC24V
6500			5	447	89.4			
4000±300			10	860	86			
2700	>90	<5	7.5	641	85.5	83.3	5	DC24V
6500			7.5	658	87.7			
4000±300			15	1264	84			

Parameter Table For 14MM



- Max. Run length refers to single side feed in serial connection.
- The given color temperature is the temperature of finished product.
- The given data are typical values due to the tolerances of the production process and the electrical components, values for light output and electrical power can vary up to 10%.
- Working Temperature: -20~+50°C

RGB

Power(W)	Color	Lumen(LM/M)	Efficiency(LM/W)	Unit Length (mm)	Max. Run Length(M)	Voltage
10	R	49	14.8	50	5	DC24V
	G	169	51.2			
	B	30	9.1			
	RGB	260	26.0			
15	R	69	13.8	50	5	DC24V
	G	226	45.2			
	B	38	7.6			
	RGB	334	22.3			

RGBW

Total Power(W)	CCT/Color	CRI	SDCM	Power for single color(W)	Lumen (LM/M)	Efficiency (LM/W)	Unit Length (mm)	Max. Run Length(M)	Voltage
15	R	--	--	3	52	17.3	83.33	5	DC24V
	G	--	--	3	156	52.0			
	B	--	--	3	26	8.7			
	W: 2700K	>90	5	6	486	81.0			
	RGBW	--	--	15	702	46.8			
15	R	--	--	3	58	19.3	83.33	5	DC24V
	G	--	--	3	173	57.7			
	B	--	--	3	23	7.7			
	W: 3000K	>90	5	6	480	80.0			
	RGBW	--	--	15	698	46.5			
15	R	--	--	3	56	18.7	83.33	5	DC24V
	G	--	--	3	162	54.0			
	B	--	--	3	32	10.7			
	W: 3500K	>90	5	6	514	85.7			
	RGBW	--	--	15	706	47.1			
15	R	--	--	3	55	18.3	83.33	5	DC24V
	G	--	--	3	158	52.7			
	B	--	--	3	33	11.0			
	W: 4000K	>90	5	6	477	79.5			
	RGBW	--	--	15	701	46.7			
15	R	--	--	3	54	18.0	83.33	5	DC24V
	G	--	--	3	165	55.0			
	B	--	--	3	32	10.7			
	W: 5000K	>90	5	6	487	81.2			
	RGBW	--	--	15	721	48.1			
15	R	--	--	3	52	17.3	83.33	5	DC24V
	G	--	--	3	167	55.7			
	B	--	--	3	32	10.7			
	W: 6500K	>90	5	6	486	81.0			
	RGBW	--	--	15	716	47.7			

Parameter Table For 14MM

 Voltage DC24V	 UV Protection	 3-Step MacAdam
 Length 5M	 IP IP65	 CRI 90+
 Consistency One Bin	 Certification LM-80	 Warranty 3 Years

- Max. Run length refers to single side feed in serial connection.
- The given color temperature is the temperature of finished product.
- The given data are typical values due to the tolerances of the production process and the electrical components, values for light output and electrical power can vary up to 10%.
- Working Temperature: -20~+50°C

RGBWW

Total Power(W)	CCT/Color	CRI	Power for single color(W)	Lumen (LM/M)	Efficiency (LM/W)	Unit Length (mm)	Max. Run Length(M)	Voltage
9	R	--	3	58	19.3	71.4	5	DC24V
	G	--	3	171	57			
	B	--	3	33	11			
	RGB	--	9	248	27.6			
10	2700K±100K	>90	5	360	72	71.4	5	DC24V
	5500K±300K	>90	5	357	71.4			
	3800K±200K	>90	10	722	72.2			

Digital RGB

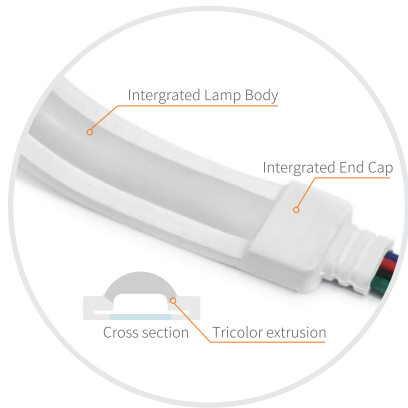
Voltage (V)	Power(W)	Color	Lumen (LM/M)	Efficiency (LM/W)	Pixel (PCS)	Signal Type	IC Model	UnitLength (mm)	Max. Run Length(M)
12	13	R	44.4	3.4	100	SPI	UCS1903	10	3
		G	143	11.0					
		B	33.5	2.6					
		RGB	210	16.2					

* This maximum serial length refers to the recommended connection length of single-end power supply when the COB strip is fully loaded (RGB all on). In practical application, according to the final required effect, when the actual required power is small, the serial length can be extended as appropriate.

Cable Type

Cable Type	Schematic Diagram	Specification	Core	Electrical Properties
		20AWG Red&Black 2-core Cable	● ●	Red V+, Black V-
		20AWG Brown&White&Yellow 3-core Cable	● ○ ●	Dual-White: Brown V+, White W, Yellow WW
		20AWG Brown&White&Yellow 3-core Cable	● ○ ●	Digital RGB: Brown V+, White DI, Yellow GND
PVC Cable		20AWG Black&Blue&Red&Green 4-core Cable	● ● ● ●	Black V+, Blue B, Red R, Green G
		20AWG Black&White&Blue&Green &Red 5-core Cable	● ○ ● ● ●	Black V+, White W, Blue B, GreenG, RedR
		20AWG Black&Blue&Red&Green &Yellow&White 6-core Cable	● ● ● ● ● ○	Black V+, Blue B, Red R, Green G, Yellow WW, White W

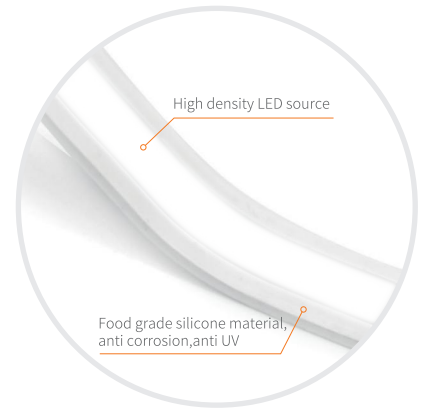
Features



More extreme vision



More perfect touch



More stable performance

Cutting Mark



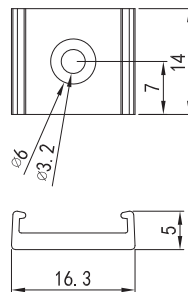
Remark: The bottom of the led strip has transparent window, the black marker is the cutting position



Use professional scissors to cut vertically at the cutting mark

Mounting Accessories

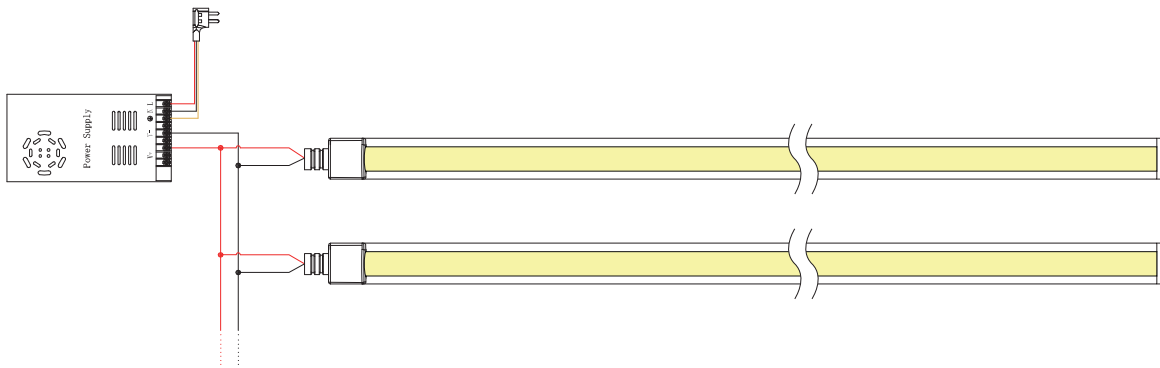
C14 Clip



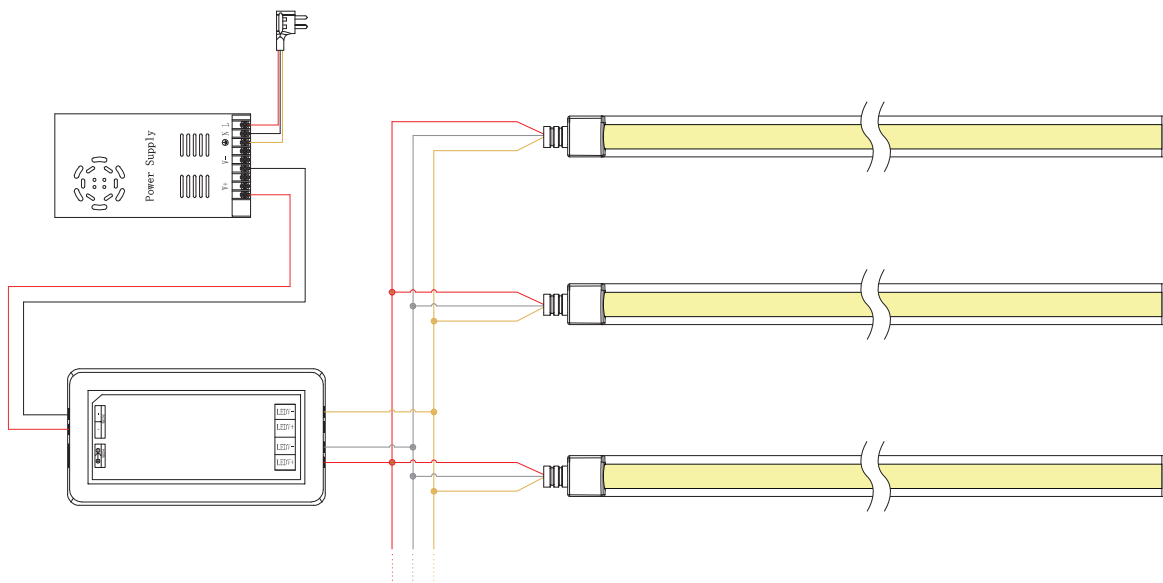
Dimension:
14x16.3x5

Accessories:
PA 3X10 Self tapping screw

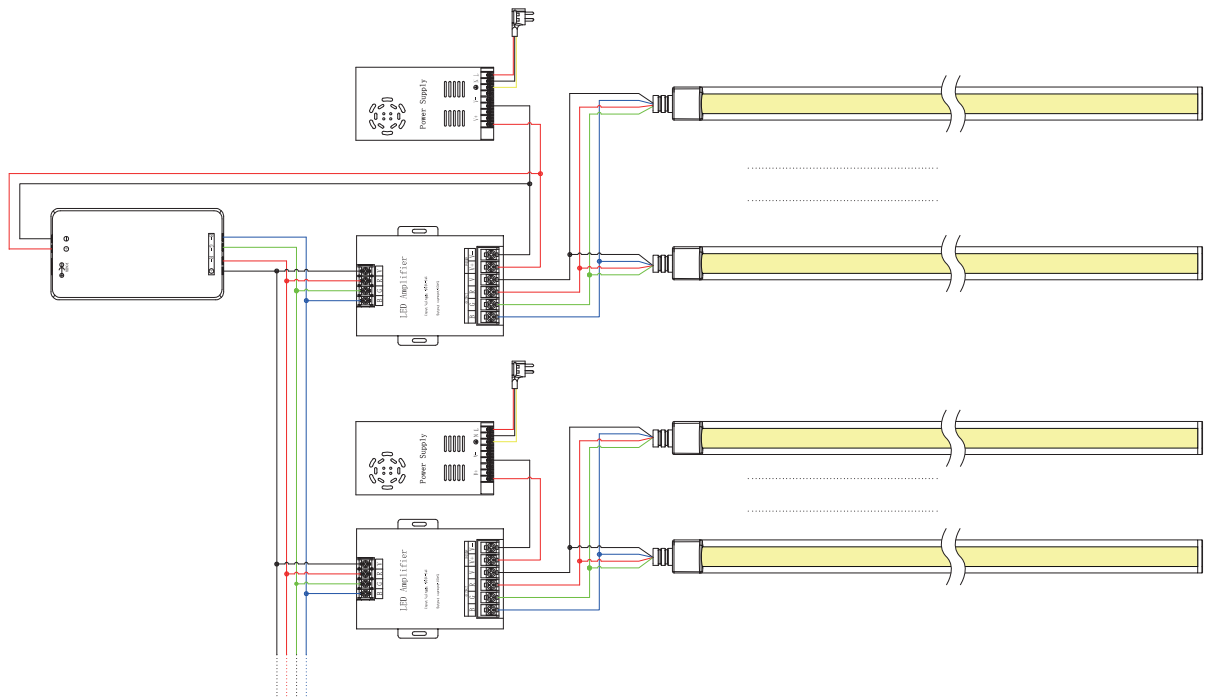
Single Color Connection Diagram



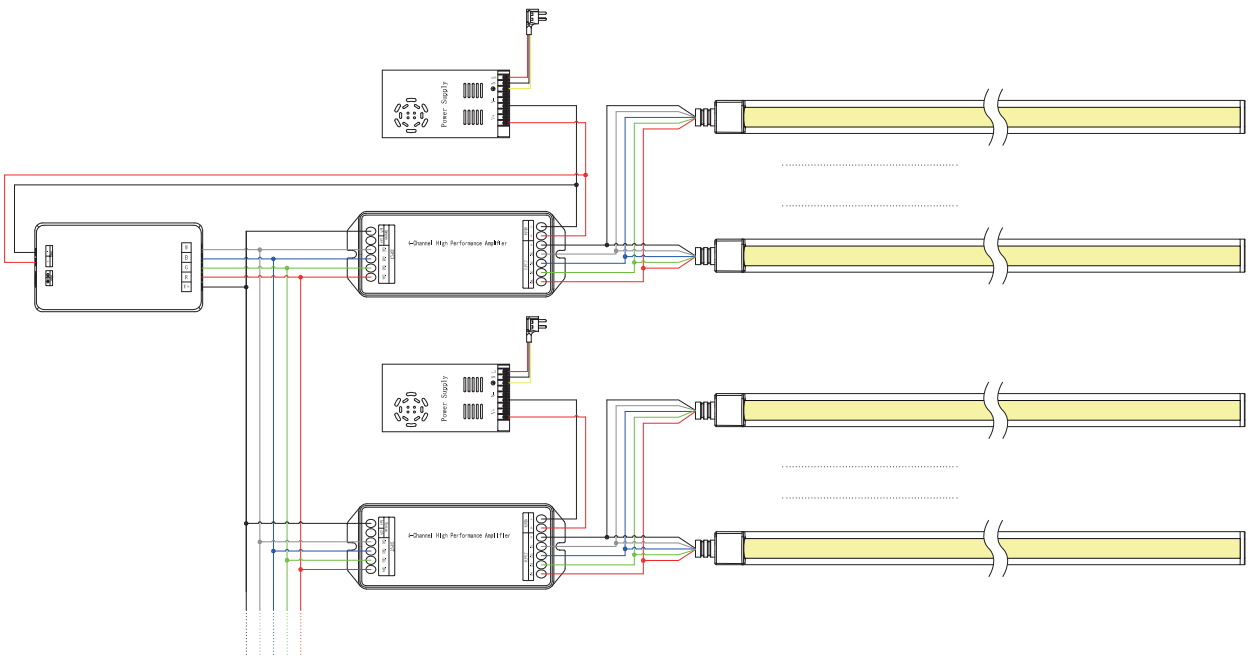
Tunable white Connection Diagram



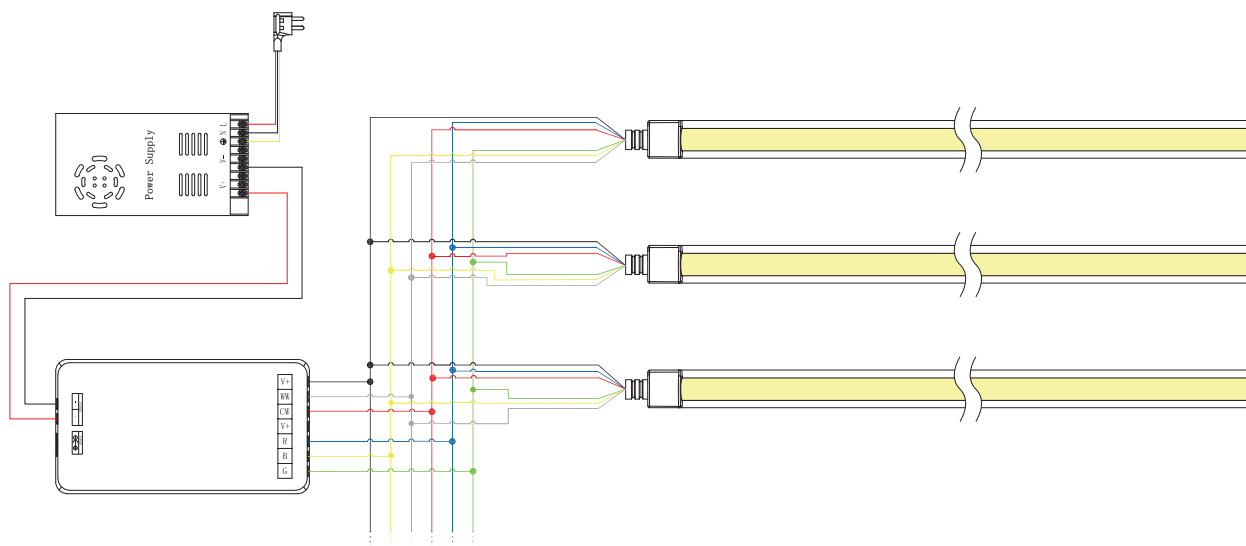
RGB Connection Diagram



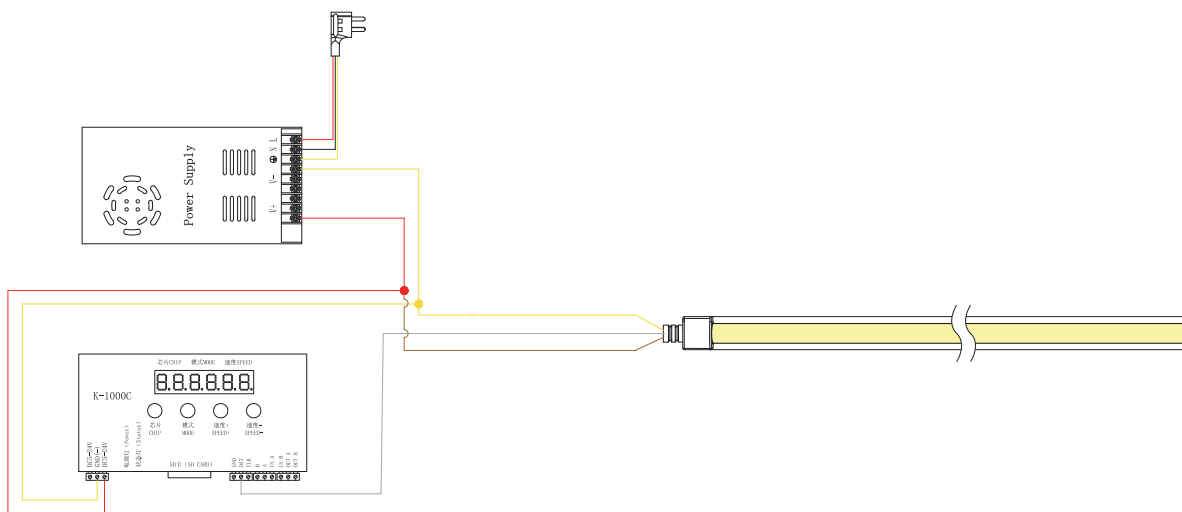
RGBW Connection Diagram



RGBWW Connection Diagram

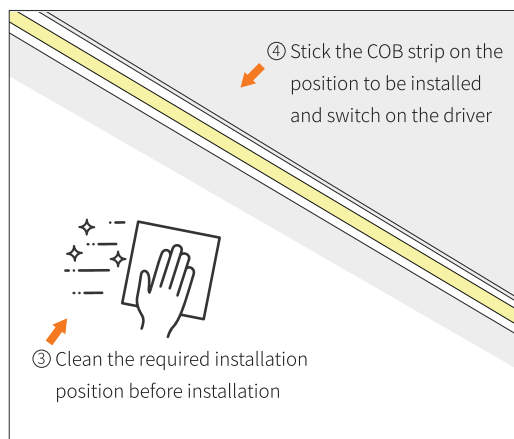
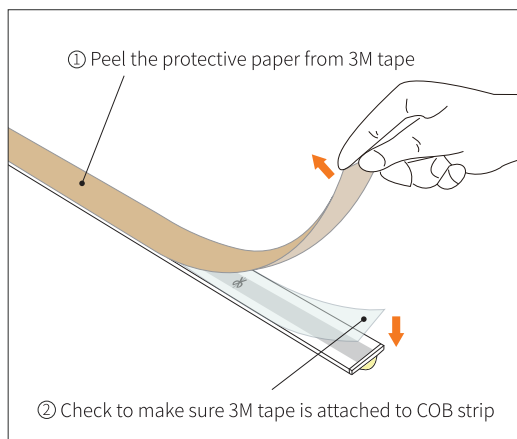


Digital RGB Connection Diagram

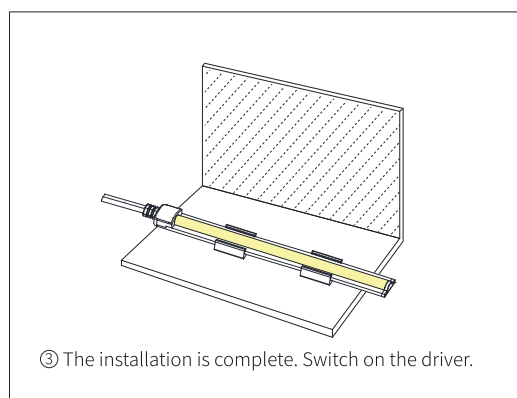
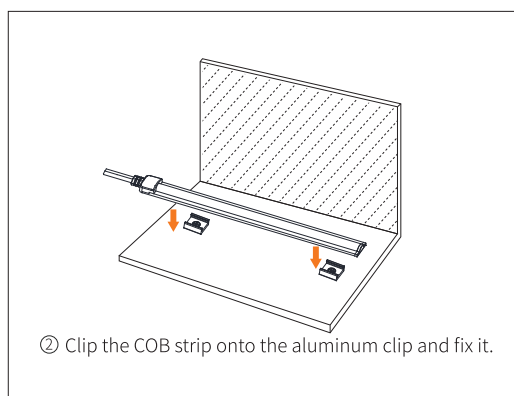
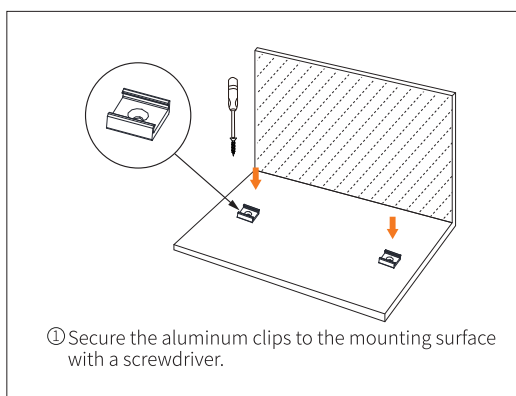


Installation Diagram

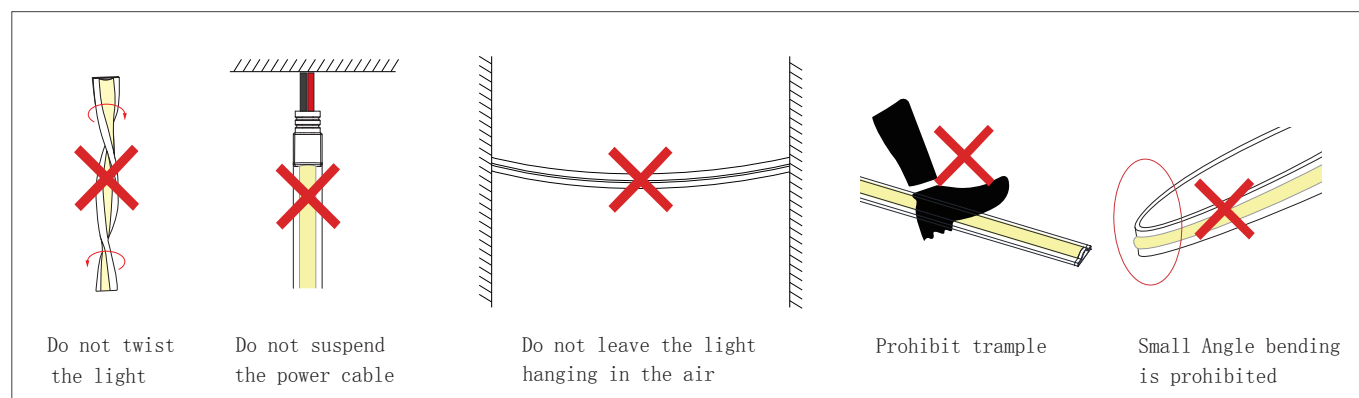
Installation with 3M tape



Installation with aluminum clips



Cautions



- ※The unused light should be sealed with the packaging bag to avoid prolonged exposure.
- ※Please use DC24V isolated constant voltage power supply with ripple voltage less than 5%. Using other types of power supply may damage the light or cause other safety risks.
- ※In practical application, 20% allowance should be reserved for power supply to ensure the stability of power supply.
- ※It is recommended that professionals connect the power supply. Do not connect the power supply with live power to avoid electric shock.
- ※Please confirm whether the voltage of the power supply is consistent with the voltage of the light; Pay attention to the positive and negative poles of the power cord, do not connect wrong, so as not to cause product damage;
- ※When multiple power supplies are used, ensure that the positive poles of the power supply are not connected in parallel. Otherwise, the power supply system may be unstable or damaged after long-term operation.
- ※If the actual application length exceeds the specified length, it will lead to overload, heating and uneven brightness of the light.
- ※During installation, please do not scratch, twist, or bend the light irregularly. Otherwise, the light may be damaged beyond repair.
- ※To ensure the life and reliability of the light, please do not over bend the light, which will damage the product itself.
- ※To protect your eyes, please avoid staring at the glowing surface of the light for a long time.
- ※Non-professionals are forbidden to install, disassemble and maintain the product.
- ※Do not use any acid or alkaline adhesive to fix the light (including but not limited to glass glue, etc.)
- ※Products of different waterproof levels apply to different environments. For example, IP65 cannot be used underwater.
- ※IP68 products are factory assembly only. If the user cut it, its waterproof grade will decline.
- ※Because of the difference in structure, even if the same color temperature value, different sizes of light will look slightly different colors. Please confirm it before use.

Tests showed that methanol and benzenes will have yellowing effects on silicone.

In the newly decorated interior environment, epoxy floor paint, wall paint, wallpaper adhesive, various decoration materials or new furniture, they are likely to release of methanol and benzenes.

It is recommended to remove methanol and benzenes first, or ventilate for a period of time in the newly decorated interior environment before install the silicone neon light, to avoid affecting the silicone body.

H E L I A N

**LED
LIGHTING**



Shenzhen Helian Electronics Co.,Ltd



3F, Tonggao building 2, Sanlian industrial area, Songbai Rd, Shiyan Town, Bao'an District, Shenzhen, Guangdong, China



OUR EMAIL

admin@hllled.com



OUR PHONE

(86)-755-27606785



OUR WEBSITE

www.hllled.com