

Please noted when installation,maintenance and electrical connections.

- 1.Must disconnect the electrical connection before installing accessories or replacing the drive power,light source.
- 2.Lamps are not suitable to coat with insulation materials and cannot be covered by them.
- 3.Lamps cannot be installed on the surface of conductive materials.
- 4.For lamps suspended mounted by suspended ropes, the power cord cannot withstand the tension.
- 5.When repairing or replacing parts, only can use original parts.
- 6.The lamp's installation, maintenance, electrical connections, etc. should be completed by relevant professionals.



### Shenzhen Helian Electronics Co.,Ltd

📍 Address: 3F, Tonggao building 2, Sanlian industrial area, Songbai Rd, Shiyuan Town, Bao'an District, Shenzhen, Guangdong, China

☎ Tel: (86)-755-27606785

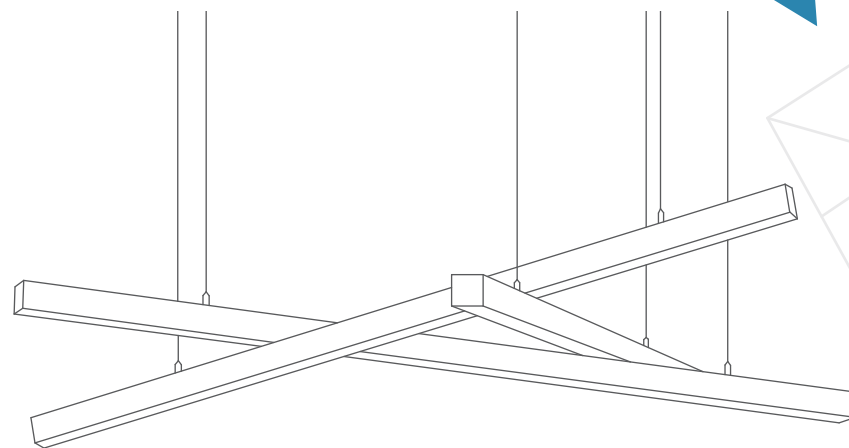
📠 Fax: (86)-755-27607521

✉ E-mail: admin@hlled.com

🌐 Web: WWW.hlled.com

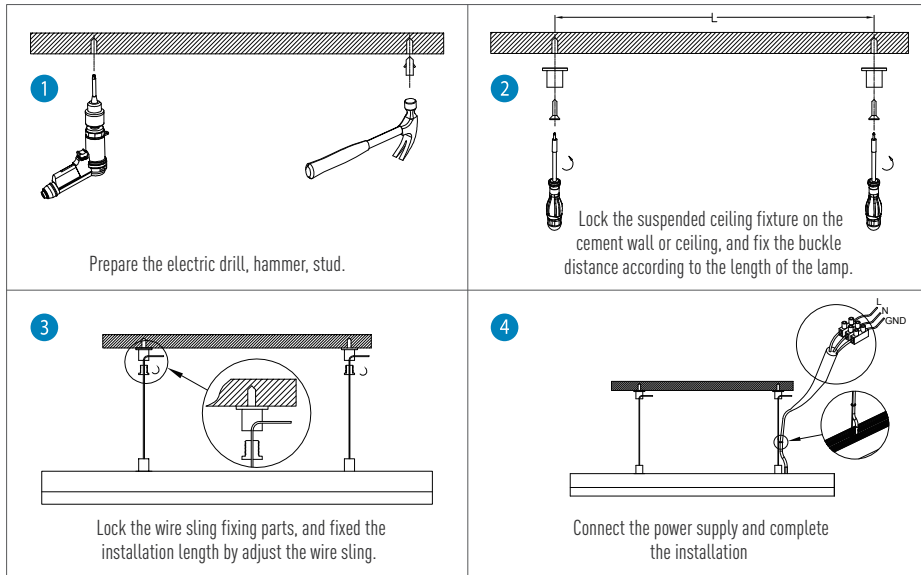
# INSTALLATION MANUAL

## Led Linear Light



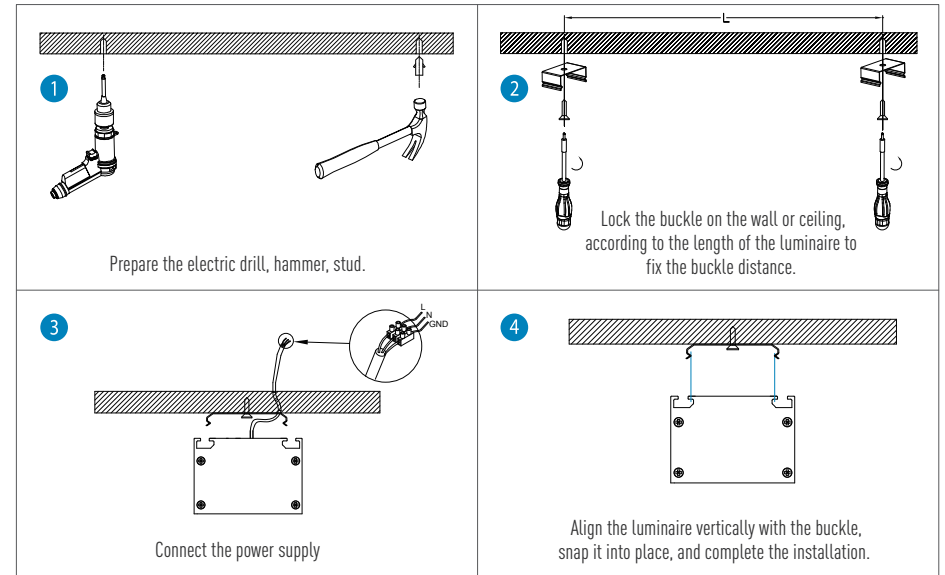
01

## Suspended Mounted Installation (Built-in Power Supply)



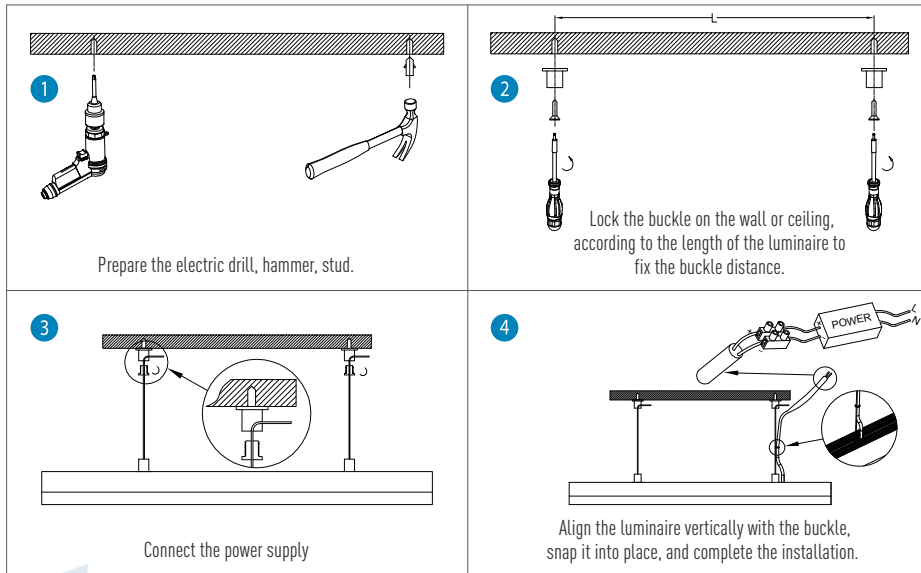
03

## Surface Mounted Installation (Built-in Power Supply)



02

## Suspended Mounted Installation (External Power Supply)



04

## Surface Mounted Installation (External Power Supply)

