



FlexiSquareCircle Series

Dynamic Light, The Beauty of Circles and Squares

HL-DA012-L02A & HL-DA012-L02B



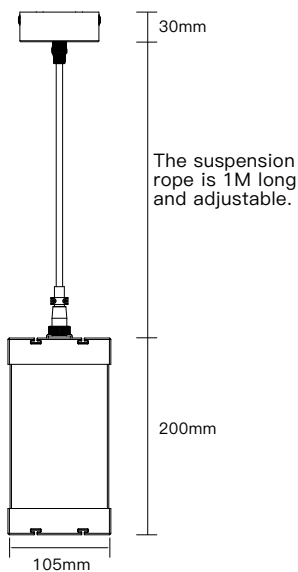
Luminaire parameters

Size	L105*W105*H200mm
Lm	1000lm
Input Voltage	AC90-264V
Beam Angle	360°
Nominal Power	10W
CCT	2700-6500K/Blue/Green/Red/Yellow/Orange
CRI	>80
Protection Grade	IP20
Certification	CE, RoHS
Warranty	3 years

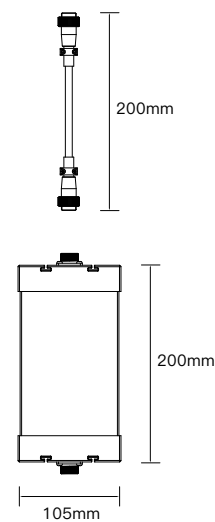
Feature

- It features a professional and unique appearance with simple and smooth lines.
- With a serial connection design, you can make choices according to your own preferences.
- Made of high-quality materials, it emits light evenly and softly.
- It is suitable for venues like hotels, libraries, bars and restaurants, etc.

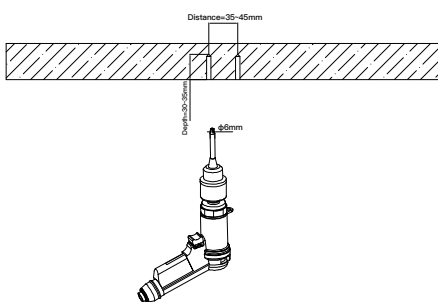
HL-DA012-L02A



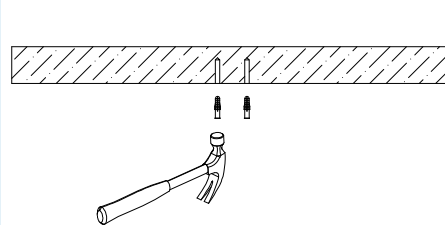
HL-DA012-L02B



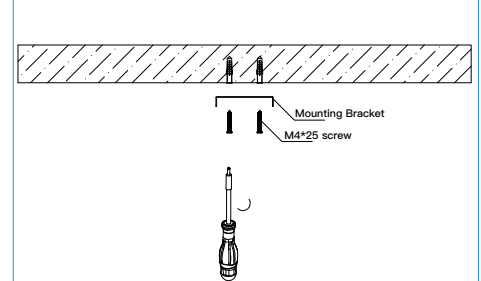
Installation



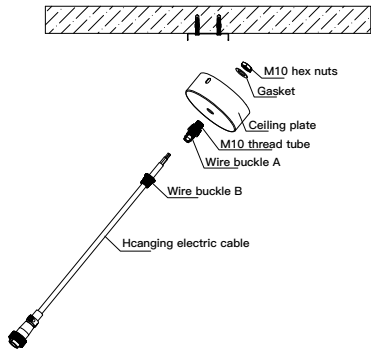
1. Use an electric drill to drill holes in the ceiling. The drill bit diameter is 6mm, the drilling distance is 35-45mm, and the drilling depth is 30-35mm.



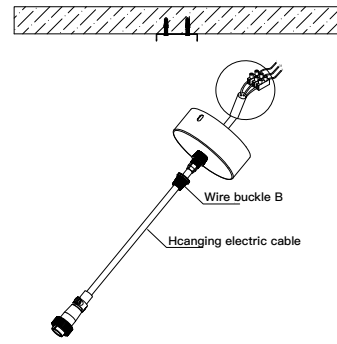
2. Use a hammer to knock the expansion tube into the hole.



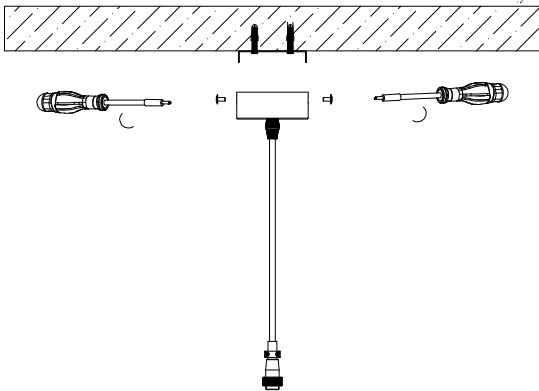
3. Use M4*25 screws to fix the mounting bracket to the expansion tube on the ceiling.



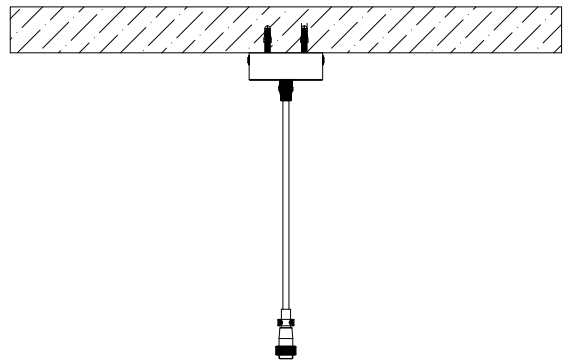
4.1. ①: First remove the nut and gasket on the wire buckle, then pass the M10 threaded tube on the wire buckle through the ceiling plate, and then lock the removed gasket and nut to the threaded tube.
 ②: Remove wire buckle B and put it on the hanging electric cable.



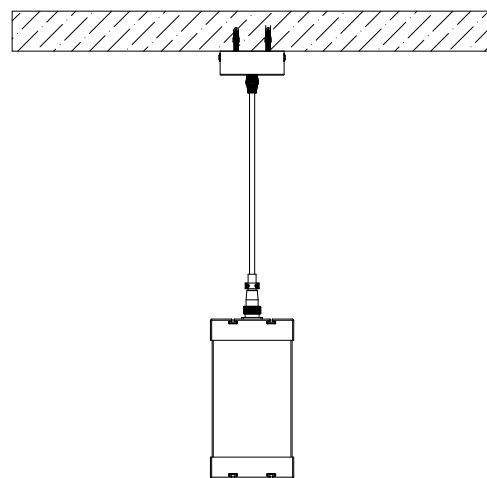
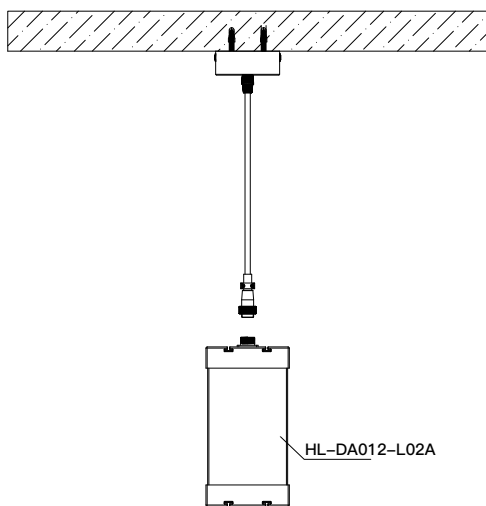
4.2. ①: Pass the hanging electric cable through the wire buckle and connect it to the L, N, GND phase wires at the power grid end (Note: Before electrical connection, the power grid end must be powered off!). ②: Pull the hanging electric cable to the appropriate position. Then lock the wire buckle B.



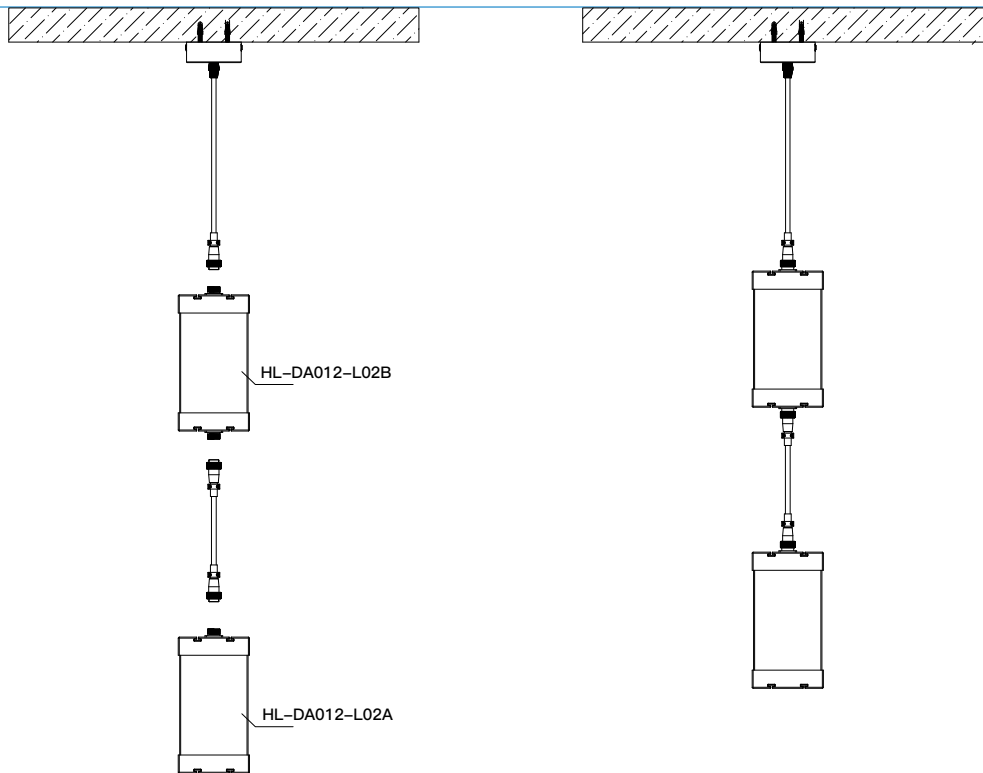
5. After completing step 4, lock the ceiling plate onto the mounting bracket.



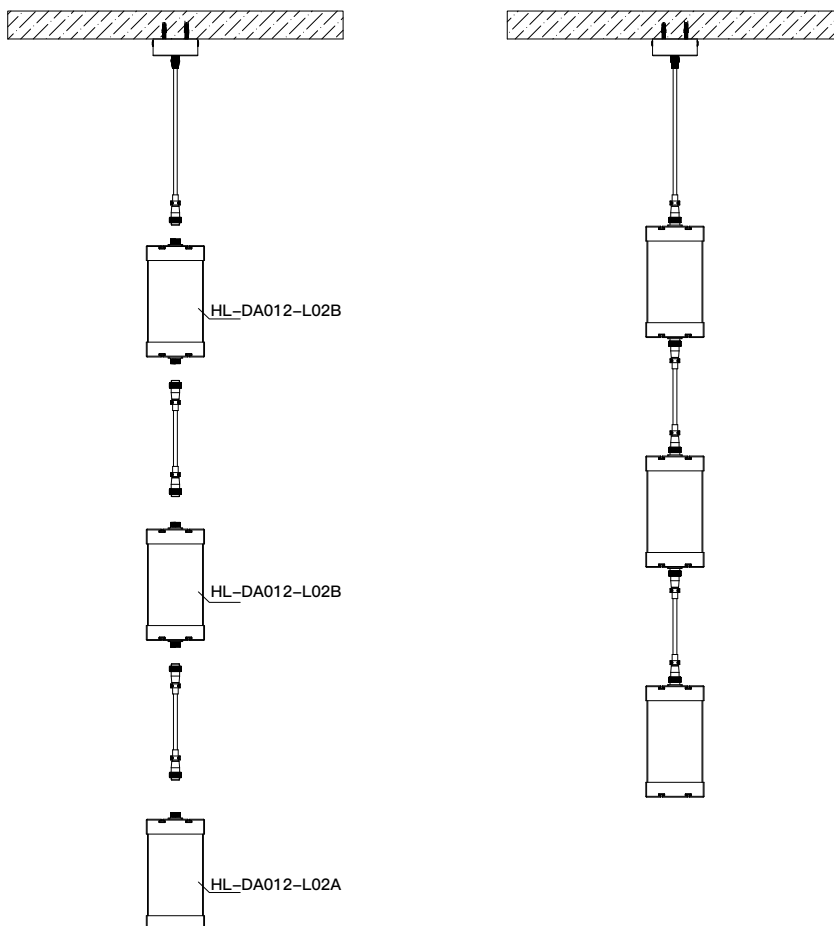
6. Installation completed.



If you only want to hang one, please choose the product with model "HL-DA012-L02A".



If you want to hang two, please choose the product with model "HL-DA012-L02A" + "HL-DA012-L02B".



If you want to hoist three, please choose 2 sets "HL-DA012-L02B" + 1 set "HL-DA012-L02A".

Packing



Model	HL-DA012-L02A	Carton box	260*260*260mm
Inner box	250*125*125mm	QTY/Carton	4 PCS
NW	0.45kg/PCS	GW	0.7kg/PCS

Model	HL-DA012-L02B	Carton box	260*260*260mm
Inner box	250*125*125mm	QTY/Carton	4 PCS
NW	0.5kg/PCS	GW	0.75kg/PCS

Notices

- 1.The power supply must be turned off before installation.
- 2.Make sure the product is mounted under the surface of the object to be installed, and finally turn on the power to light up.
- 3.This product is for indoor use only.
- 4.This product is warranted for 3 years and problems occur within 3 years (except for human factors and accidental factors), free maintenance.
- 5.The product is not responsible for damage caused by accidental factors or improper use.