

# HL-BAPL042

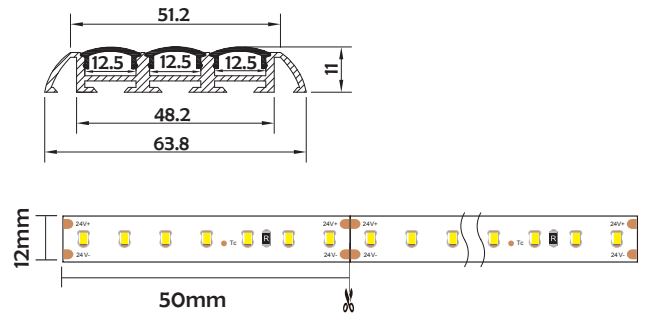


- Professional industrial design with sharp lines.
- Imported PMMA diffuser with uniform and soft lighting.
- AL6063 aluminum profile with excellent heat dissipation performance.
- Easier and efficient recessed installation with clips.
- Closed-fitting end cap without screw, easier installation.



## I Basic Parameters

Material	AL6063+PMMA
Surface	Anodized/Painting
Lighting source width	12mm
Length	4m/max
Application	For warehouse/garage/office /conference room/exhibition room application.



## I Installation Accessories



Aluminum Profile



End Cap



Clip

### • Optional cover



Opal (PC)



Opal matte (PMMA)



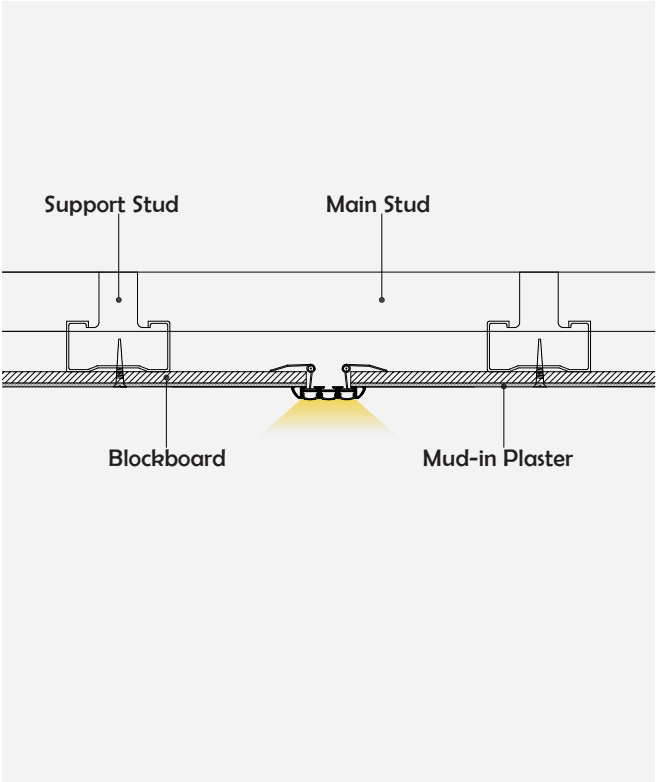
Clear (PMMA/PC)



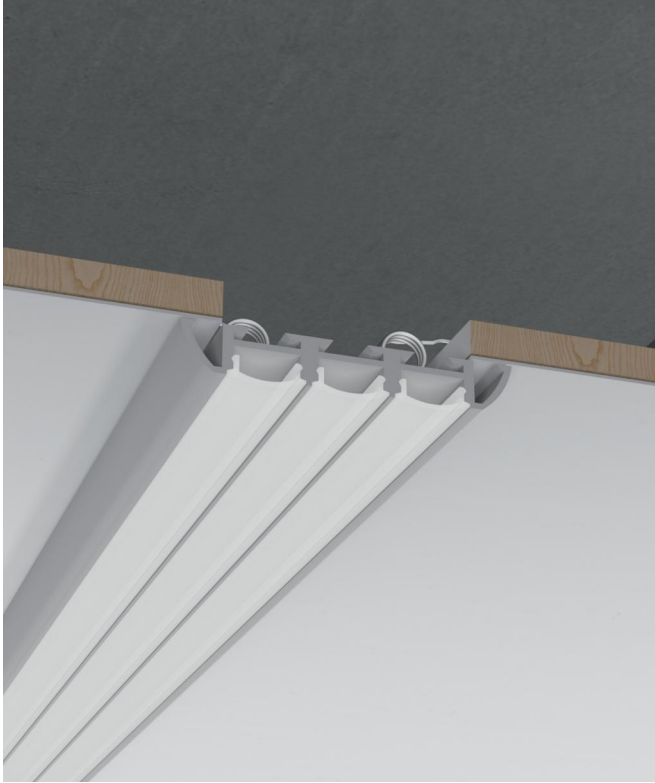
Semi-clear (PMMA/PC)

Model	Cover Model	Cover		End Cap	Clip	Suspended Rope (Set)	Connector	Lighting Source (width)
		PC	PMMA					
HL-BAPL042	BAPL007	Opal Clear Semi-clear	Opal matte Clear Semi-clear	Plastic	Stainless steel	/	/	max 12mm

# I Structure image



# I Effect image



# I Application

