

# HL-A042/A043

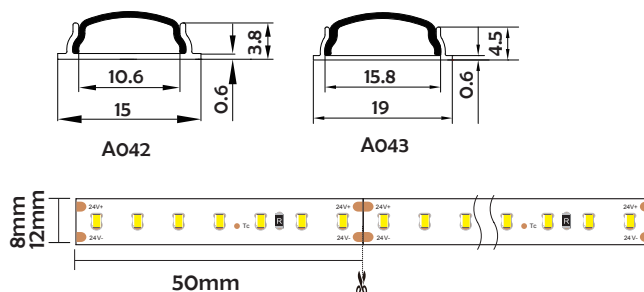


- Professional industrial design with sharp lines.
- Imported PC diffuser with uniform and soft lighting.
- AL6063 aluminum profile with excellent heat dissipation performance.



## I Basic Parameters

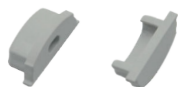
Material	AL6063+PC
Surface	Anodized/Painting
Lighting source width	A042 8mm / A043 12mm.
Length	4m/max
Application	The extrusion with LED light source is mostly used as interior lighting, curved lighting.



## I Installation Accessories



Aluminum Profile



End Cap



Clip



Bending Degree

### • Optional cover



Opal (PC)



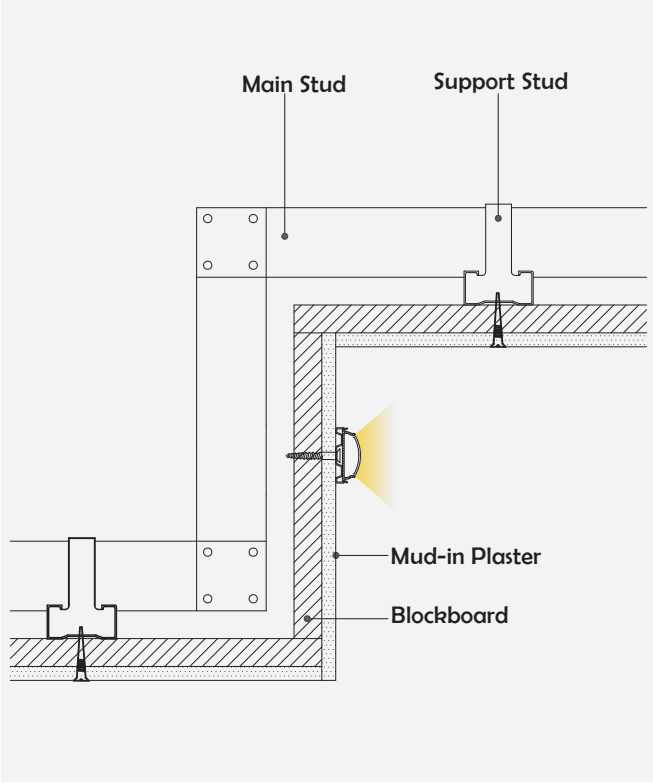
Clear (PC)



Semi-clear (PC)

Model	Cover Model	Cover			End Cap	Clip	Suspended Rope (Set)	Connector	Lighting Source (width)
		PC	PMMA						
HL-A042/A043	A042 A043	Opal Clear Semi-clear	/		Plastic	Stainless steel	/	/	A042 8mm A043 12mm.

# I Structure image



# I Effect image



# I Application

