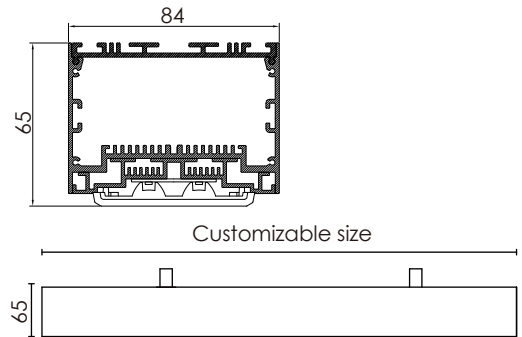


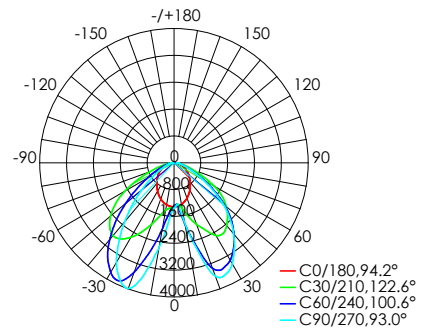


## Feature

- Professional appearance design, simple and elegant.
- High quality, energy-efficient LED Lighting for environmental protection.
- Built-in power supply, no flicker.
- Professional optical lens design, using optical PMMA raw materials, double-row luminous design, spot uniform.
- Optional lens angle 30°/60°/90°, double polarization 30°, single polarization 20°.



Luminaire parameters	
Size	L1200*W84*H65mm
Lm	6800lm
Input Voltage	AC100-240V
Beam Angle	30°/60°/90°
Nominal Power	65W
CCT	2700-6500k
CRI	>80
Protection Grade	IP40
Certification	CE, RoHS
Warranty	3 years



Height	Eavg, Emax	Diameter
1m	1330, 3335lx	210.77cm
2m	332.6, 833.7lx	421.53cm
3m	147.8, 370.5lx	632.30cm
4m	83.15, 208.4lx	843.06cm
5m	53.21, 133.4lx	1053.83cm

Note: The curve is the illumination area and the average illuminance of the luminaire under different projection distances.

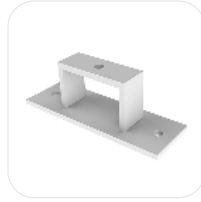
# Installation Accessories



Suspended Rope



Connector



Local Graph

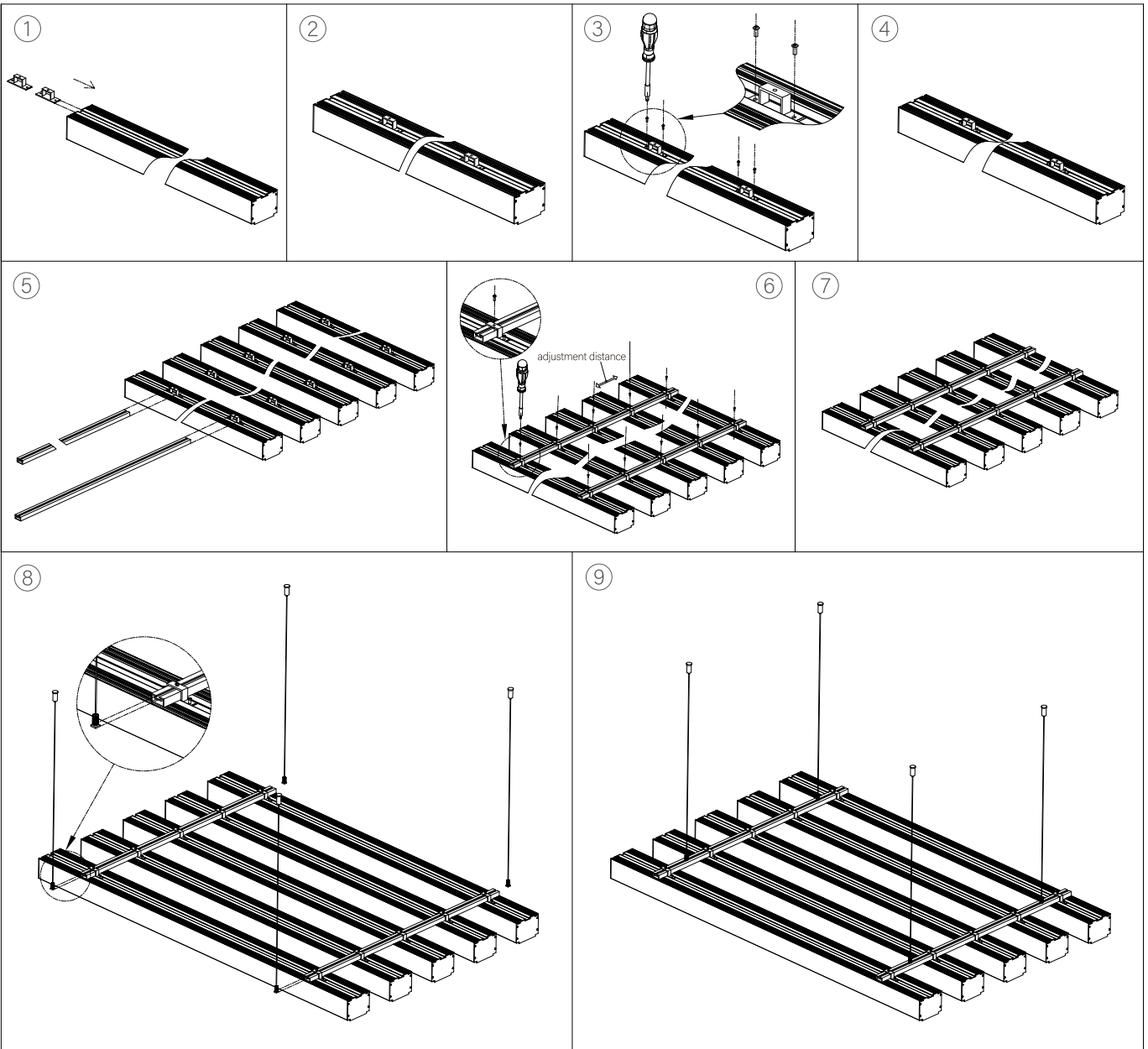


Aluminum Profile

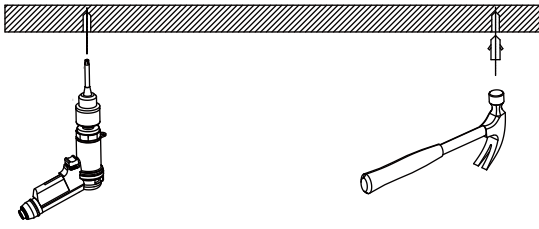


Connection mode

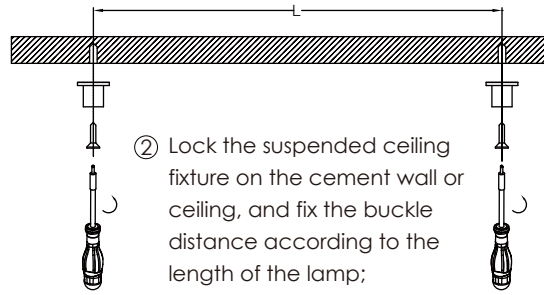
## SPLICING METHOD



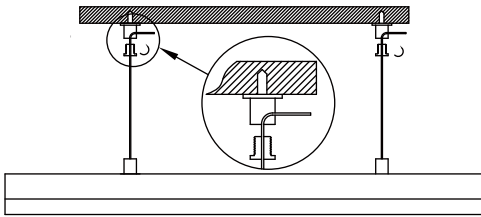
## Installation



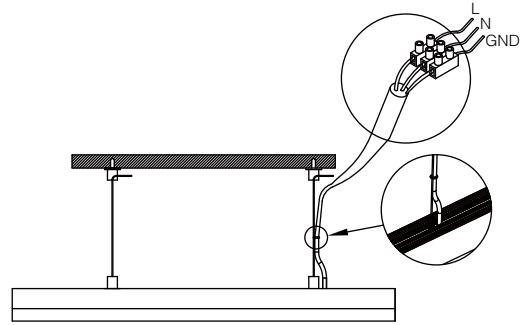
① Prepare the electric drill, hammer, stud;



② Lock the suspended ceiling fixture on the cement wall or ceiling, and fix the buckle distance according to the length of the lamp;

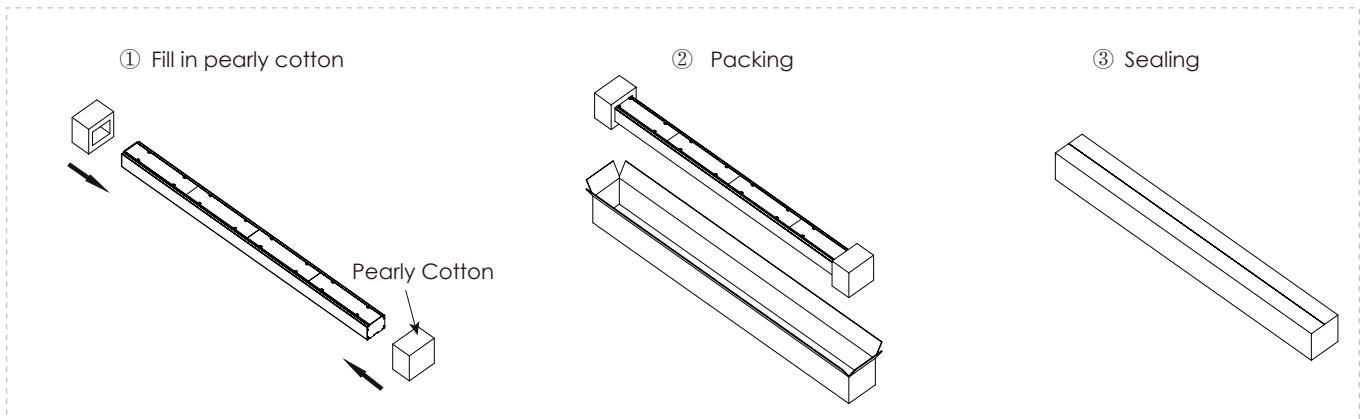


③ Lock the wire sling fixing parts, and fixed the installation length by adjust the wire sling;



④ Connect the power supply and complete the installation.

## Packing



Model HL-TA087-L12  
Inner box 1250\*130\*130mm

Carton box 1265\*405\*275mm  
QTY/Carton 6 PCS

## Notices

- 1.The power supply must be turned off before installation.
- 2.Make sure the product is mounted under the surface of the object to be installed, and finally turn on the power to light up.
- 3.This product is for indoor use only.
- 4.This product is warranted for 3 years and problems occur within 3 years (except for human factors and accidental factors), free maintenance.
- 5.The product is not responsible for damage caused by accidental factors or improper use.