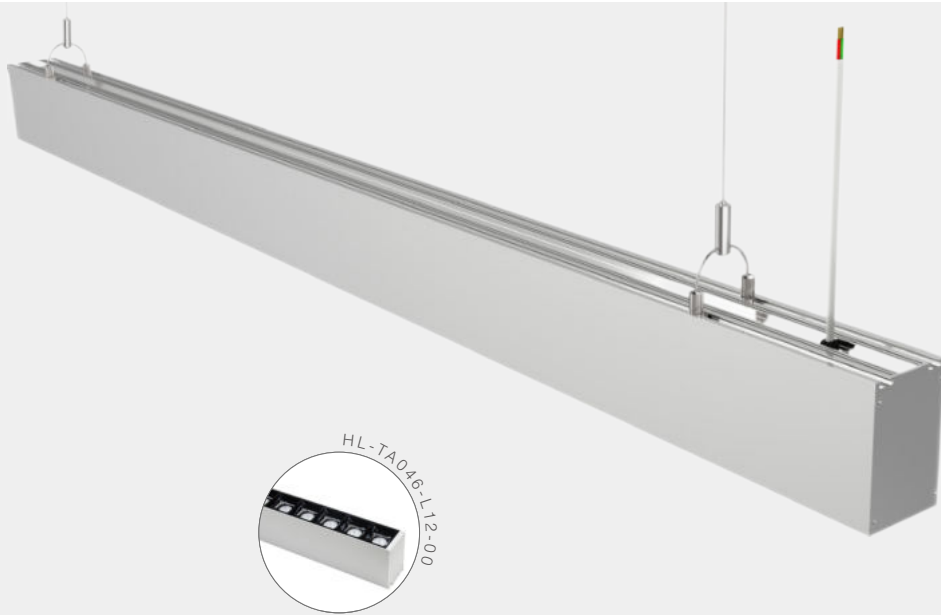
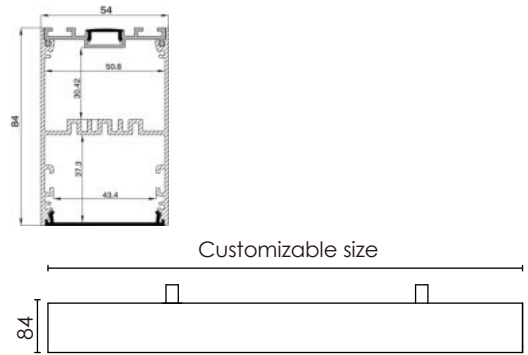


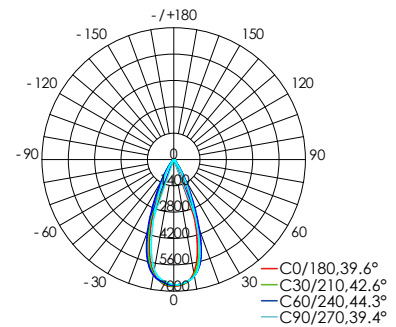
UGR<16


Feature

- Professional appearance design, simple and elegant.
- High quality, energy-efficient LED Lighting for environmental protection.
- Built-in power supply, no flicker.
- The lamp can be freely matched with various combinations (Reflector cup/PC cover/Dark cover).
- Professional anti-glare grille reflector cup, anti-glare value UGR<16, light comfort, eye protection.
- Application: offices, conference rooms, supermarkets, schools, home lighting and so on.



Luminaire parameters	
Size	L1200*W54*H84mm
Lm	(up)1100lm/(down)2400lm
Input Voltage	AC100-240V
Beam Angle	15°/30°/45°
Nominal Power	(up)15W/(down)35W
CCT	2700-6500k
CRI	>80
Protection Grade	IP40
Certification	CE, ROHS
Warranty	3 years



Height	Eavg, Emax	Diameter
1m	4812, 6733lx	71.27cm
2m	1203, 1683lx	142.54cm
3m	534.7, 748.2lx	213.81cm
4m	300.8, 420.8lx	285.08cm
5m	192.5, 269.3lx	356.35cm

Note: The curve is the illumination area and the average illuminance of the luminaire under different projection distances.

Installation Accessories



Suspended Rope

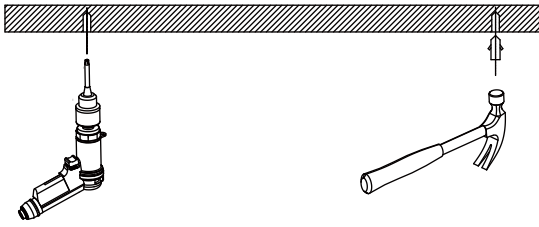


Anti-glare grille reflector cup

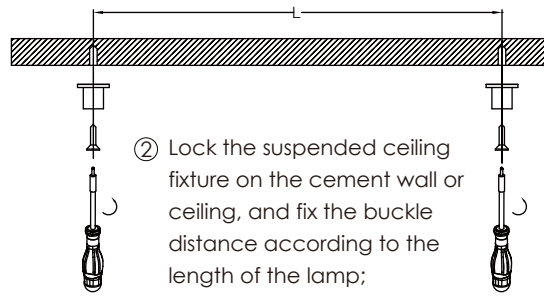


Aluminum Profile

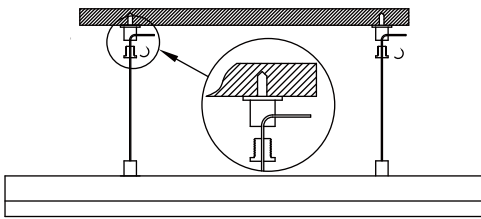
Installation



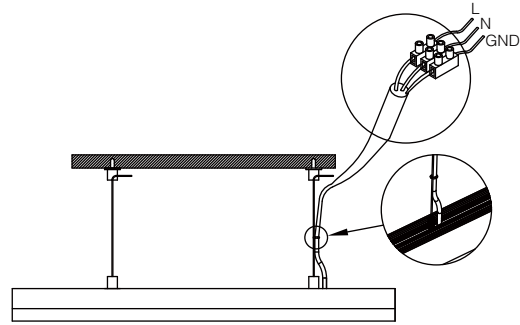
① Prepare the electric drill, hammer, stud;



② Lock the suspended ceiling fixture on the cement wall or ceiling, and fix the buckle distance according to the length of the lamp;

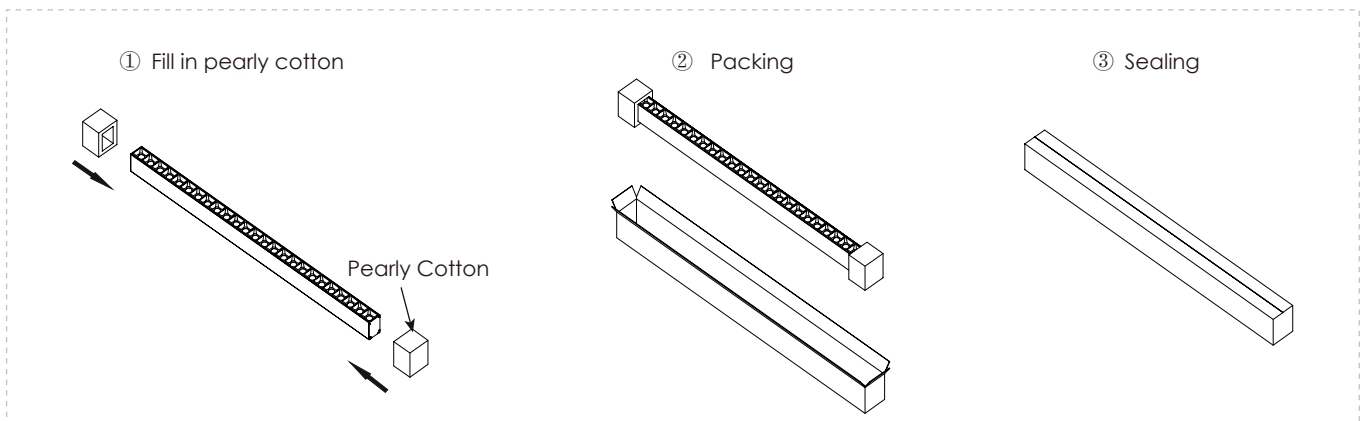


③ Lock the wire sling fixing parts, and fixed the installation length by adjust the wire sling;



④ Connect the power supply and complete the installation.

Packing



Model HL-TA046-L12-00
Inner box 1232*98*128mm

Carton box 1247*309*271mm
QTY/Carton 6 PCS

Notices

- 1.The power supply must be turned off before installation.
- 2.Make sure the product is mounted under the surface of the object to be installed, and finally turn on the power to light up.
- 3.This product is for indoor use only.
- 4.This product is warranted for 3 years and problems occur within 3 years (except for human factors and accidental factors), free maintenance.
- 5.The product is not responsible for damage caused by accidental factors or improper use.