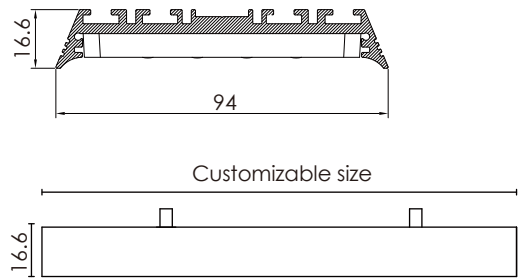


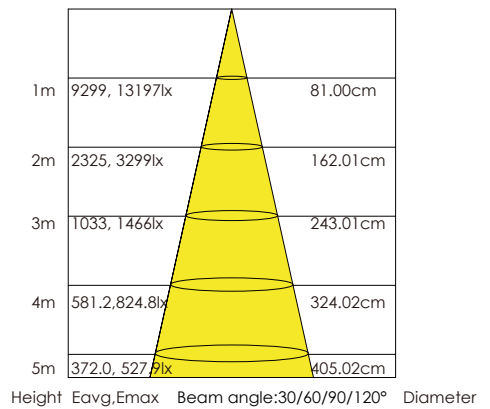
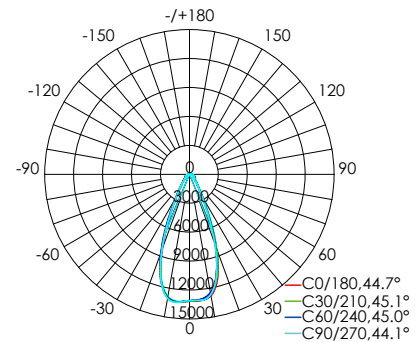
Feature

- Professional appearance design, simple and elegant.
- luminous efficacy up to 140lm/w.
- Professional optical PC lens, high transmittance, Optional lens angle (30°/60°/90°).
- External power supply, IP40 and splice design.
- Anodized aluminum profile with good heat sink.
- For offices, Industrial Lighting, Commercial Lighting, Workshop Lighting, Warehouse Lighting etc.



Luminaire parameters

Size	L1200*W94*H16.6mm
Lm	9400lm
Input Voltage	AC100-240V
Beam Angle	30°/60°/90°
Nominal Power	70W
CCT	2700-6500k
CRI	>80
Protection Grade	IP40
Certification	CE, ROHS
Warranty	3 years



Installation Accessories



Suspended Rope



Optional Optical PC Lens



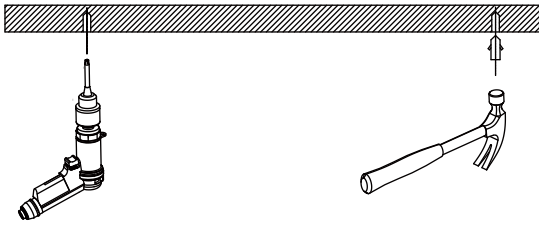
Aluminum Profile



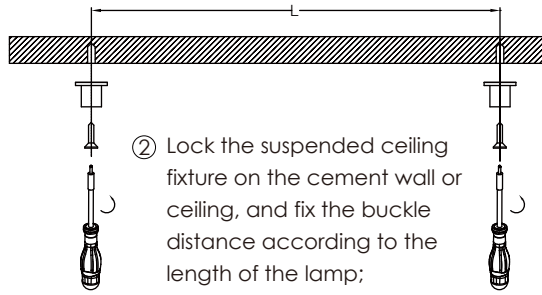
Mounting Bracket

Note: The curve is the illumination area and the average illuminance of the luminaire under different projection distances.

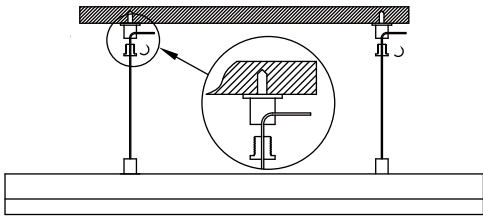
Installation



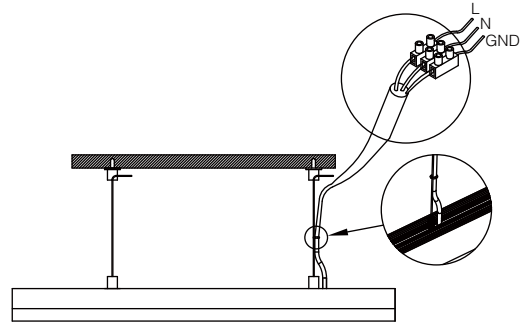
① Prepare the electric drill, hammer, stud;



② Lock the suspended ceiling fixture on the cement wall or ceiling, and fix the buckle distance according to the length of the lamp;



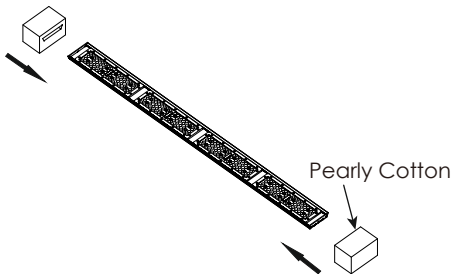
③ Lock the wire sling fixing parts, and fixed the installation length by adjust the wire sling;



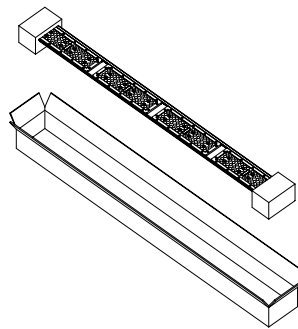
④ Connect the power supply and complete the installation.

Packing

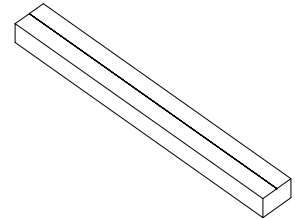
① Fill in pearly cotton



② Packing



③ Sealing



Model	HL-TA041-L12	Carton box	1217*414*279mm
Inner box	1202*133*88mm	QTY/Carton	9PCS

Notices

- 1.The power supply must be turned off before installation.
- 2.Make sure the product is mounted under the surface of the object to be installed, and finally turn on the power to light up.
- 3.This product is for indoor use only.
- 4.This product is warranted for 3 years and problems occur within 3 years (except for human factors and accidental factors), free maintenance.
- 5.The product is not responsible for damage caused by accidental factors or improper use.