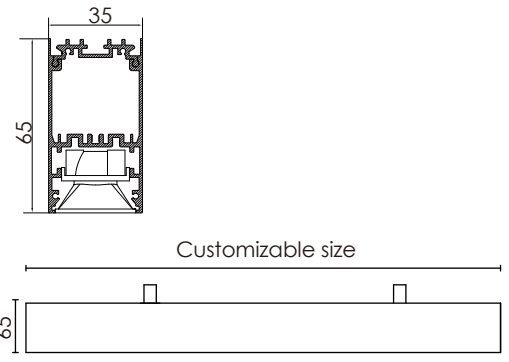


UGR<16

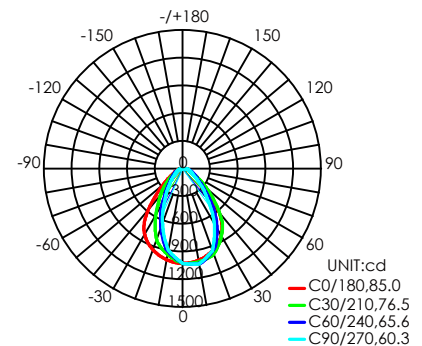


Feature

- Optional cover for the lamp (Reflective cup / PC cover), easy to install and the length can be spliced.
- Professional anti-glare grille reflector cup with optional reflector angle (15° / 30° / 45°), anti-glare value UGR <16, comfortable lighting ,eye-protecting.
- The constant current built-in power supply is used, which is safe and reliable, no stroboscopic phenomenon.
- Application: offices,conference rooms, supermarkets, schools, home lighting and so on.



Luminaire parameters	
Size	L1200*W35*H65mm
Lm	3150lm
Input Voltage	AC100-240V
Beam Angle	15°/30°/45°
Nominal Power	35W
CCT	2700-6500k
CRI	>80
Protection Grade	IP40
Certification	CE, RoHS
Warranty	3 years



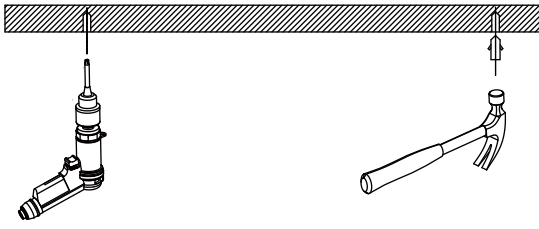
Installation Accessories



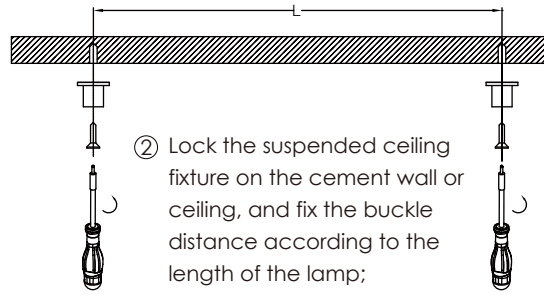
Height	Eavg,Emax	Diameter
1m	665.7, 1029lx	116.14cm
2m	166.4, 257.3lx	232.28cm
3m	73.97, 114.4lx	348.42cm
4m	41.61, 64.34lx	464.56cm
5m	26.63, 41.17lx	580.70cm
6m	18.49, 28.59lx	696.84cm
7m	13.59, 21.01lx	812.98cm
8m	10.40, 16.08lx	929.12cm
9m	8.219, 12.71lx	1045.26cm
10m	6.657, 10.29lx	1161.40cm

Note: The curve is the illumination area and the average illuminance of the luminaire under different projection distances.

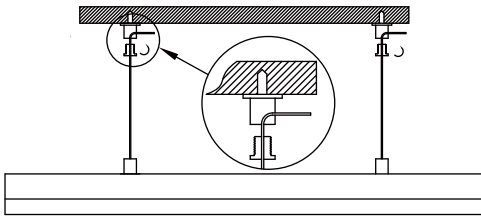
Installation



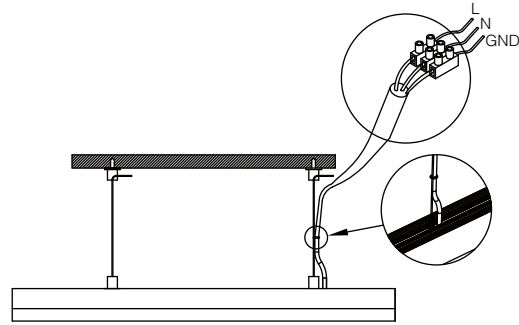
① Prepare the electric drill, hammer, stud;



② Lock the suspended ceiling fixture on the cement wall or ceiling, and fix the buckle distance according to the length of the lamp;

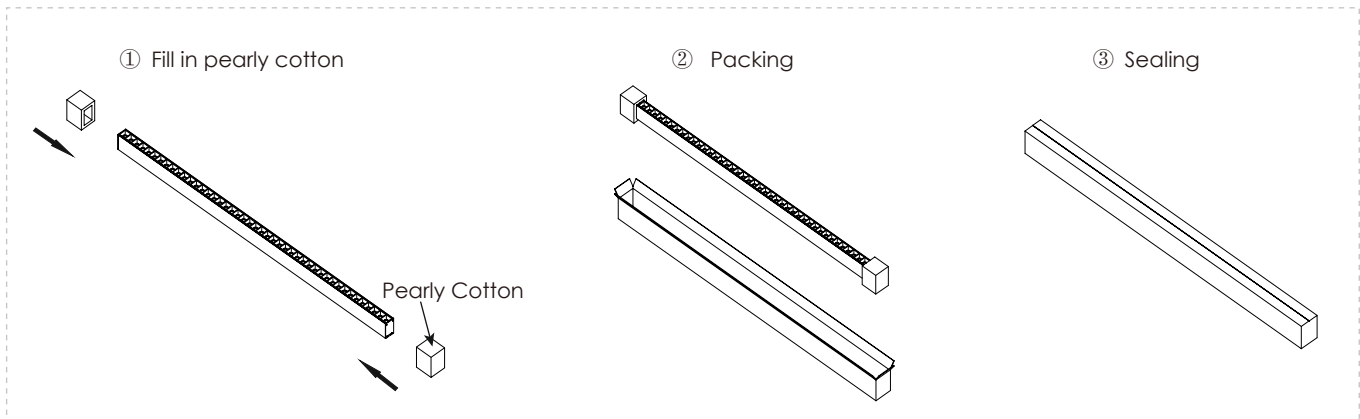


③ Lock the wire sling fixing parts, and fixed the installation length by adjust the wire sling;



④ Connect the power supply and complete the installation.

Packing



Model	HL-T6535-L12	Carton box	1250*355*211mm
Inner box	1235*68*98mm	QTY/Carton	10 PCS

Notices

- 1.The power supply must be turned off before installation.
- 2.Make sure the product is mounted under the surface of the object to be installed, and finally turn on the power to light up.
- 3.This product is for indoor use only.
- 4.This product is warranted for 3 years and problems occur within 3 years (except for human factors and accidental factors), free maintenance.
- 5.The product is not responsible for damage caused by accidental factors or improper use.