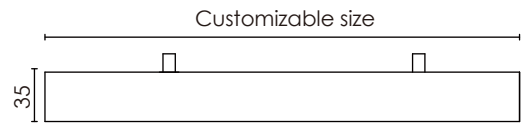
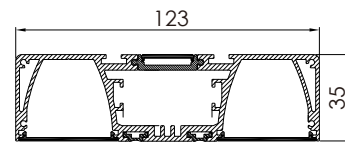


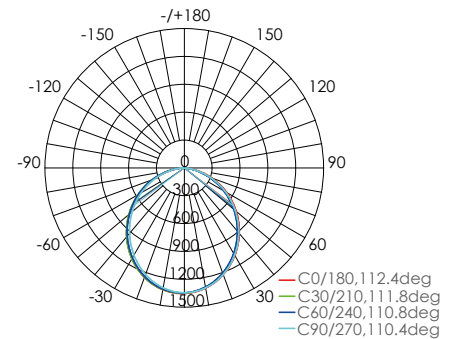
Feature

- Professional appearance design, simple and elegant.
- High quality, energy-efficient LED Lighting for environmental protection.
- Anodized aluminum profile with good heat sink.
- Built-in power supply, no flicker.
- Applications: offices, conference rooms, supermarkets, schools, home lighting and so on.



Luminaire parameters

| | |
|------------------|-------------------------|
| Size | L1200*W123*H35mm |
| Lm | (up)1500lm/(down)2900lm |
| Input Voltage | AC100-240V |
| Beam Angle | 220° |
| Nominal Power | (up)20W/(down)40W |
| CCT | 2700-6500k |
| CRI | >80 |
| Protection Grade | IP40 |
| Certification | CE, ROHS |
| Warranty | 3 years |



| Height | Eavg,Emax | Diameter |
|--------|----------------|-----------|
| 1m | 337.8, 1089lx | 285.44cm |
| 2m | 84.46, 272.1lx | 570.87cm |
| 3m | 37.54, 120.9lx | 856.31cm |
| 4m | 21.12, 68.03lx | 1141.74cm |
| 5m | 13.51, 43.54lx | 1427.18cm |

Note: The curve is the illumination area and the average illuminance of the luminaire under different projection distances.

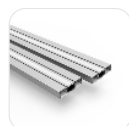
Installation Accessories



Suspended Rope



Connector

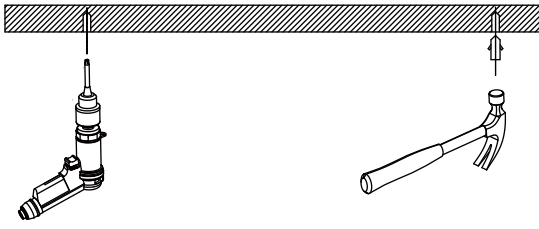


Aluminum Profile

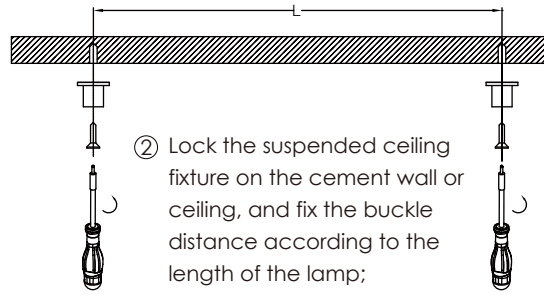


Local Graph

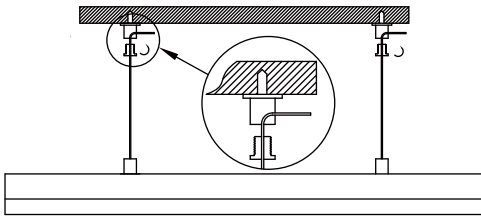
Installation



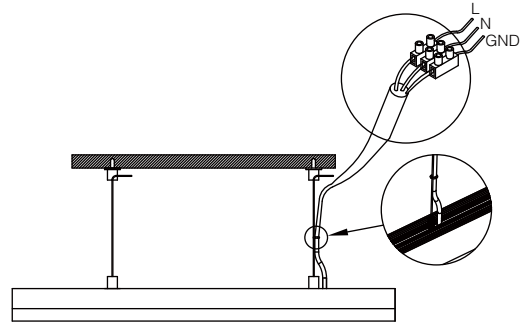
① Prepare the electric drill, hammer, stud;



② Lock the suspended ceiling fixture on the cement wall or ceiling, and fix the buckle distance according to the length of the lamp;

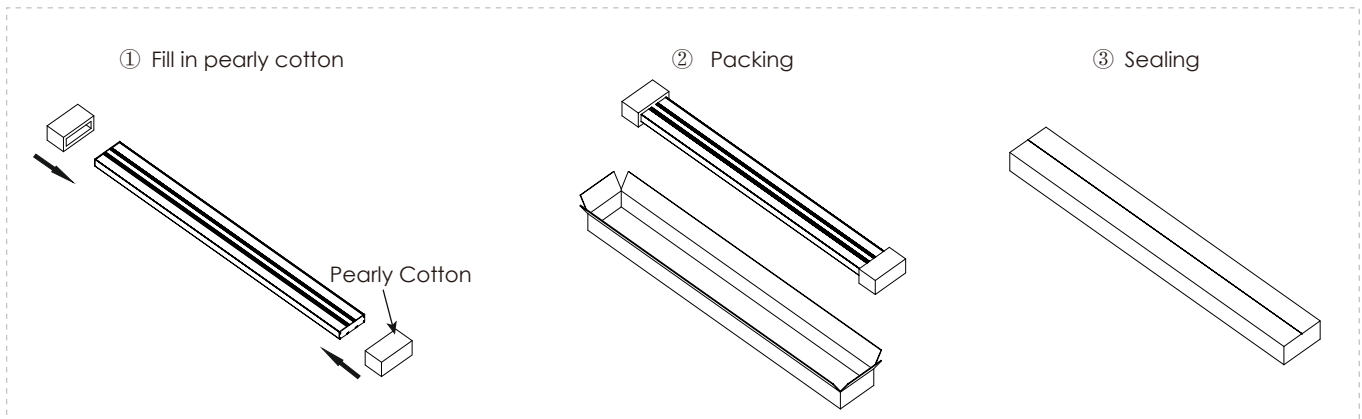


③ Lock the wire sling fixing parts, and fixed the installation length by adjust the wire sling;



④ Connect the power supply and complete the installation.

Packing



Model HL-CA073-L12
Inner box 1252*163*73mm

Carton box 1267*504*161mm
QTY/Carton 6 PCS

Notices

- 1.The power supply must be turned off before installation.
- 2.Make sure the product is mounted under the surface of the object to be installed, and finally turn on the power to light up.
- 3.This product is for indoor use only.
- 4.This product is warranted for 3 years and problems occur within 3 years (except for human factors and accidental factors), free maintenance.
- 5.The product is not responsible for damage caused by accidental factors or improper use.