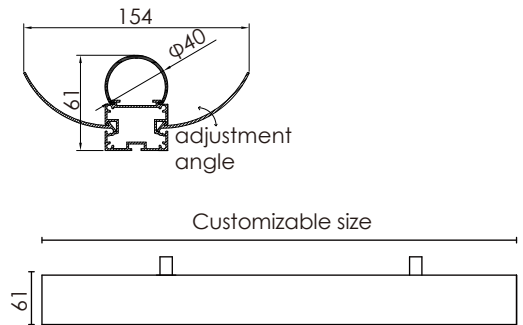


### Feature

- High quality, energy-efficient LED Lighting for environmental protection.
- Featuring an arc-shaped light-attracting structure, this lamp can be adjusted by the wings on both sides to adjust the luminous angle, the irradiation area, and the direction of light. Meet the lighting needs of any scene.
- For offices, conference rooms, supermarkets, home lighting, etc.



Luminaire parameters	
Size	L1200*W154*H61mm
Lm	2500lm
Input Voltage	AC100-240V
Beam Angle	120°
Nominal Power	20W
CCT	2700-6000k
CRI	>80
Protection Grade	IP40
Certification	CE, RoHS
Warranty	3 years

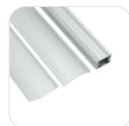
### Installation Accessories



Suspended Rope



Connector

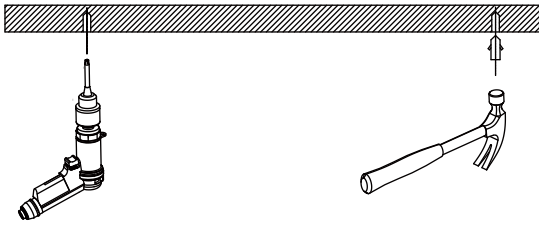


Aluminum Profile

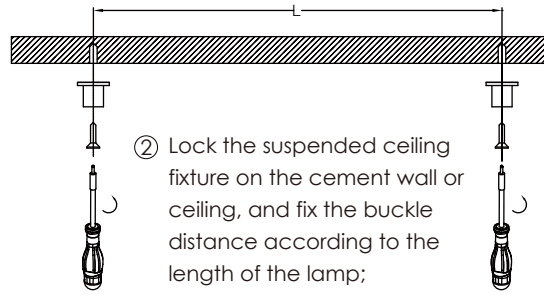


End Cap

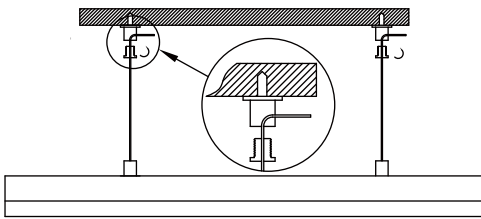
## Installation



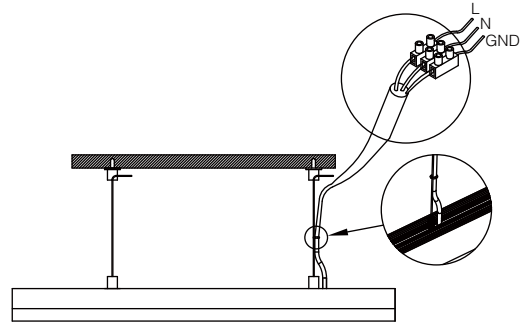
① Prepare the electric drill, hammer, stud;



② Lock the suspended ceiling fixture on the cement wall or ceiling, and fix the buckle distance according to the length of the lamp;



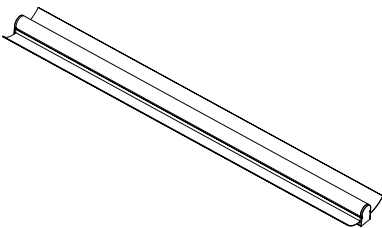
③ Lock the wire sling fixing parts, and fixed the installation length by adjust the wire sling;



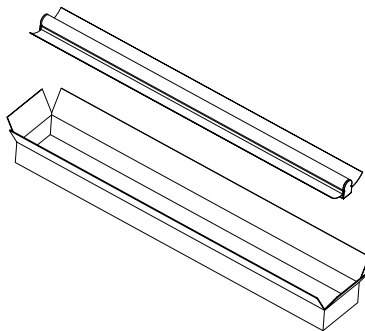
④ Connect the power supply and complete the installation.

## Packing

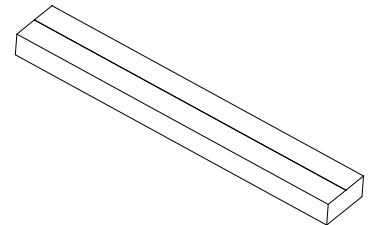
① Product



② Packing



③ Sealing



Model	HL-CA068-L12	Carton box	1240*375*270mm
Inner box	1225*180*85mm	QTY/Carton	6 PCS

## Notices

- 1.The power supply must be turned off before installation.
- 2.Make sure the product is mounted under the surface of the object to be installed, and finally turn on the power to light up.
- 3.This product is for indoor use only.
- 4.This product is warranted for 3 years and problems occur within 3 years (except for human factors and accidental factors), free maintenance.
- 5.The product is not responsible for damage caused by accidental factors or improper use.