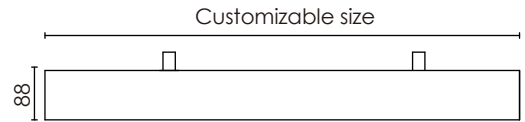
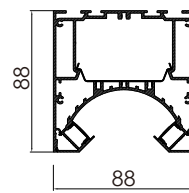


Feature

- This Linear light has a simple and atmospheric exterior design.
- No main light design (see the luminous without light), indirect lighting, anti-glare and eye protection.
- High-quality LED light source, energy saving and environmental protection.
- Anodized aluminum profile, with good heat dissipation performance.
- Built-in power supply, no strobe.
- Very Suitable for offices, meeting rooms, supermarkets, home lighting, etc.



Luminaire parameters

Size	L1200*W88*H88mm
Lm	700lm
Input Voltage	DC24V
Beam Angle	120°
Nominal Power	50W
CCT	2700-6000k
CRI	>80
Protection Grade	IP40
Certification	CE, RoHS
Warranty	3 years

Installation Accessories



Suspended Rope



Connector

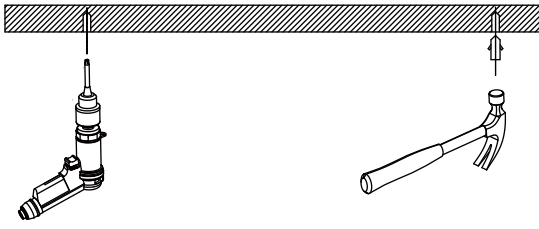


Aluminum Profile

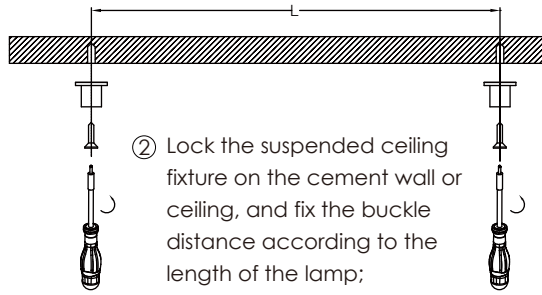


Mounting Clip

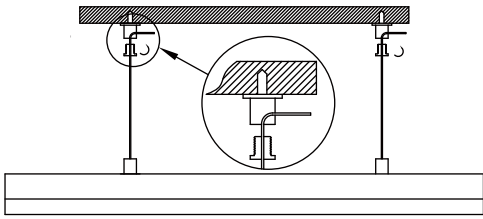
Installation



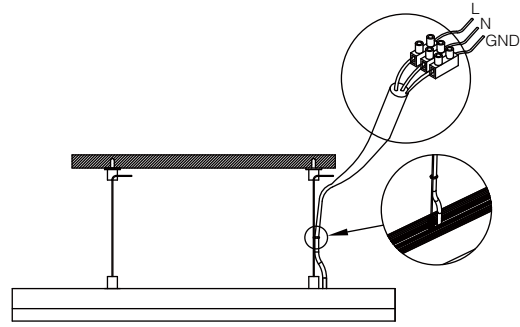
① Prepare the electric drill, hammer, stud;



② Lock the suspended ceiling fixture on the cement wall or ceiling, and fix the buckle distance according to the length of the lamp;



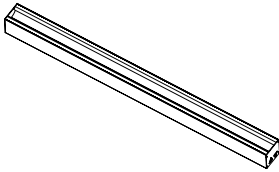
③ Lock the wire sling fixing parts, and fixed the installation length by adjust the wire sling;



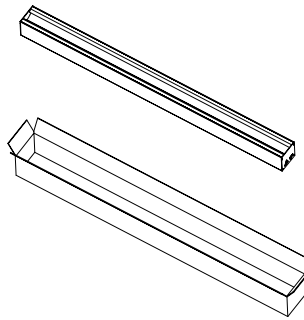
④ Connect the power supply and complete the installation.

Packing

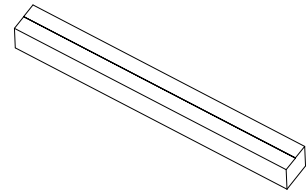
① Product



② Packing



③ Sealing



Model	HL-CA024-3-L12	Carton box	1265*405*275mm
Inner box	1250*130*130mm	QTY/Carton	6 PCS

Notices

- 1.The power supply must be turned off before installation.
- 2.Make sure the product is mounted under the surface of the object to be installed, and finally turn on the power to light up.
- 3.This product is for indoor use only.
- 4.This product is warranted for 3 years and problems occur within 3 years (except for human factors and accidental factors), free maintenance.
- 5.The product is not responsible for damage caused by accidental factors or improper use.