

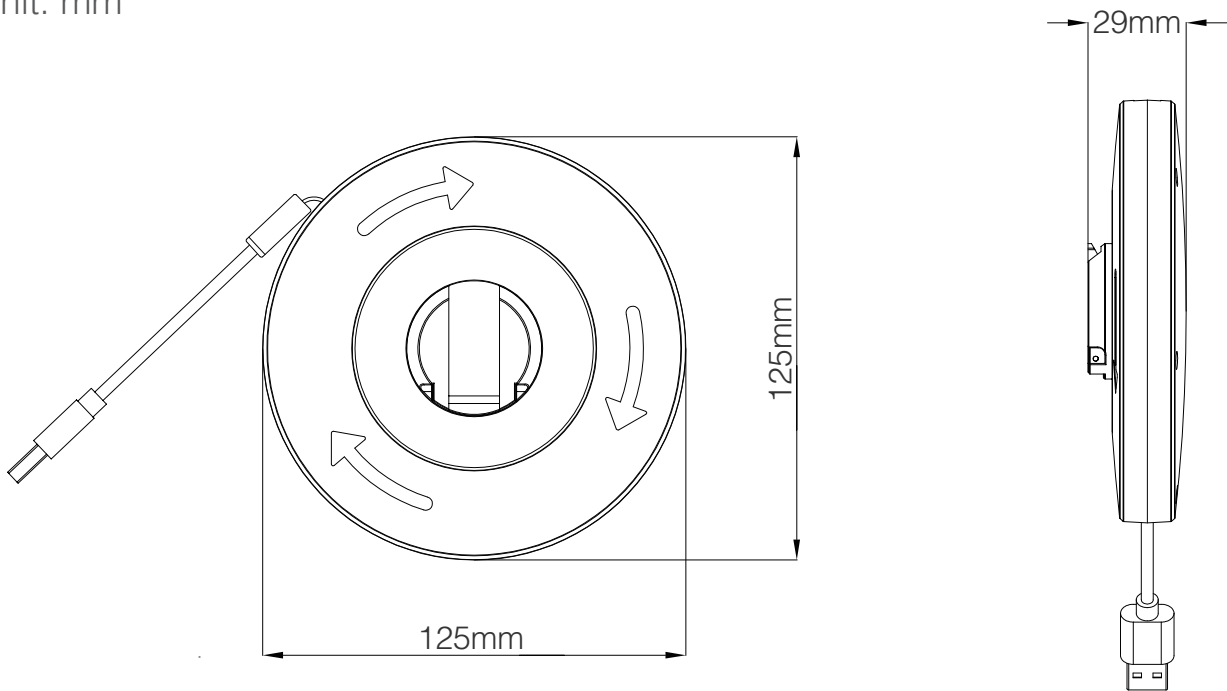


Tape Light-5M

HL-125029-D05

SIZE

Unit: mm



PARAMETERS

Model	HL-125029-D05
Length	5 Meters
Voltage	USB(DC5V)
Power	3W
LM	330lm
CRI	>80
CCT	3000K
IP	IP65
Beam angle	120°
Light strip size	8mm
Warranty	2 years
Working temperature	-20~+50 °C
N.W/G.W	0.19KG/0.234KG
Fire retardant	Yes

Feature

- A professional appearance design that is clean and elegant, simple and stylish.
- It is more convenient to carry the light strip because of the rotating assembly.
- Advanced sealing technology, IP65 protection grade, suitable for multipurpose use.
- Powered by USB, low voltage, can be used safely.
- It's lightweight and practical, soft and flame-resistant, insulating, and corrosion-resistant.
- Available to operate remotely by using the mobile app.
- Applications: Temporary camping activities, outdoor temporary celebrations, construction sites, repair sites.

LED Controller (Options)



Feature

- The Supported languages: Chinese, English, Japanese, German and so on.
- Constant voltage: MOS tube.
- APP function tutorial: switch on to adjust brightness, external microphone for capturing sound, candle function, delay function, light switch timers function, group function.

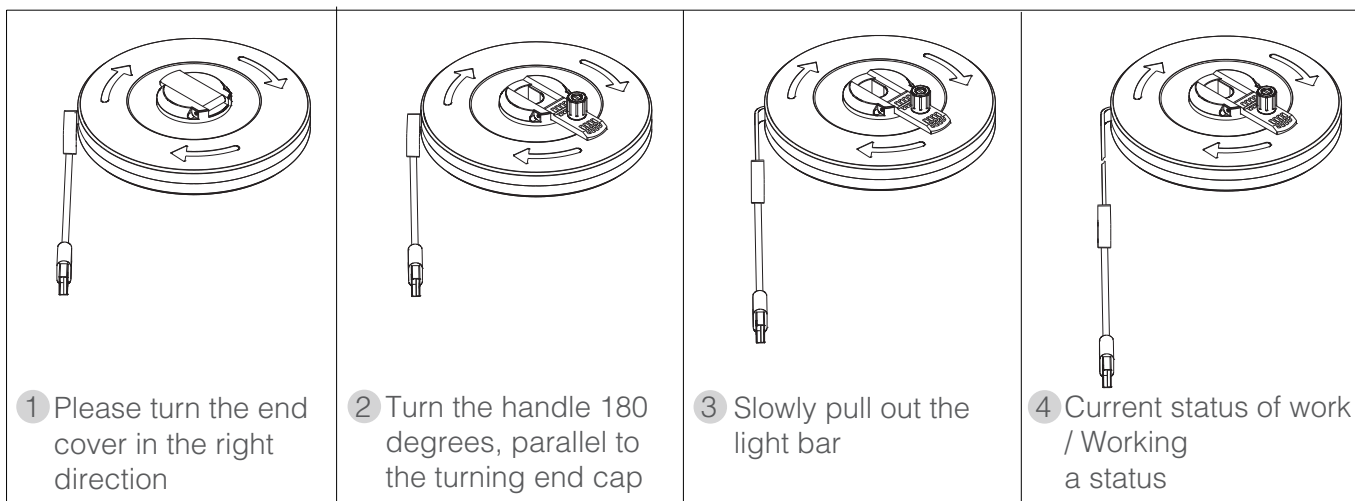
Parameters

APP	ZENNGE
Domination Principle	BLUETOOTH 5.0
Operation Platform	Android 6.0 or IOS 11 or higher
Input Voltage	USB 5V
Max Output Power	36W
Connect Method	Common Anode
Working Temperature	-20~+55 °C
Control Distance	Visible distance 20M
Warranty	2 Years

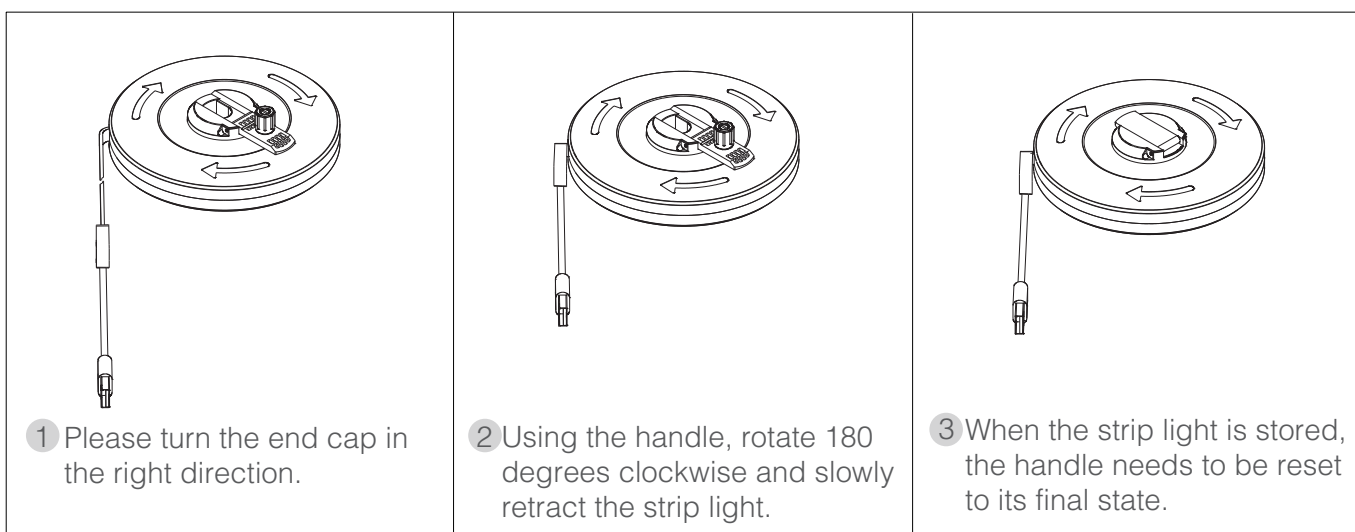
PRODUCT PICTURE



INSTRUCTIONS PRE-USE (Pull Out Strip)



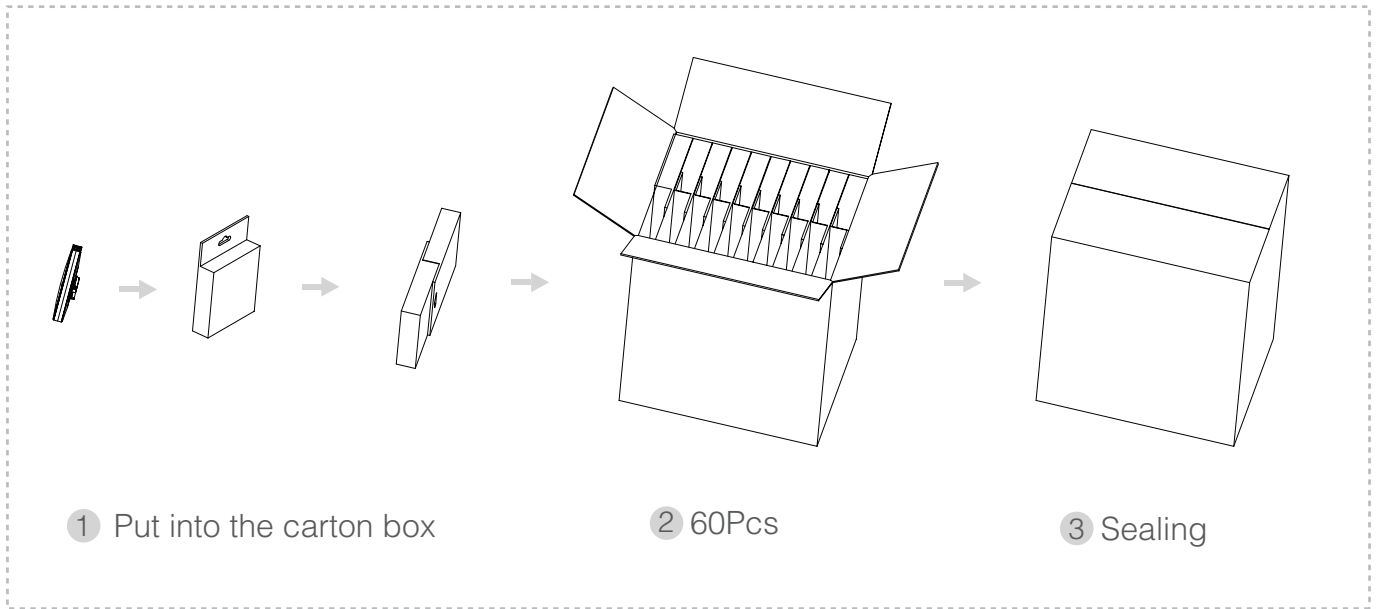
INSTRUCTIONS AFTER USE (Pull Back Strip)



APPLICATION PICTURE



PACKAGING



Model	Inner box	Carton box	QTY/Carton	G.W
HL-125029-D05	130*188*35mm	405*320*405mm	60PCS	14.76KG/60PCS

NOTICES

- During installation, please do not turn on the power switch. Ensure that the power supply is installed, secured, and maintained correctly.
- It is not recommended to hit, press, or knock light strips with blunt objects, weights, or other sharp objects.
- All connections must be tighten and safe from short-circuit hazards.
- Whenever you install and fix the light strip, avoid using iron wires and other metals, in order to prevent leakage, short circuits, and burning out of the lamps.
- In order to ensure good light radiation, please do not cover or block the light strip during use.
- Although this product isn't a toy, can easily attract children's interest. It should be installed in a location away from children's reach or under adult supervision.
- Not advisable to forcefully pull the light strip.
- Keep the USB interface away from water.

H E L I A N

**LED
LIGHTING**



Shenzhen Helian Electronics Co.,Ltd



3F, Tonggao building 2, Sanlian industrial area, Songbai Rd, Shiyan Town, Bao'an District, Shenzhen, Guangdong, China



OUR EMAIL

admin@hllcd.com



OUR PHONE

(86)-755-27606785



OUR WEBSITE

www.hllcd.com