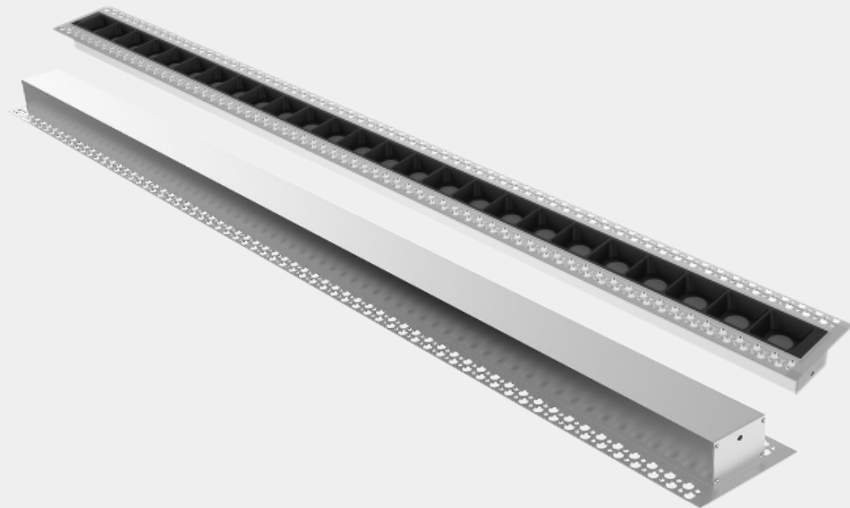
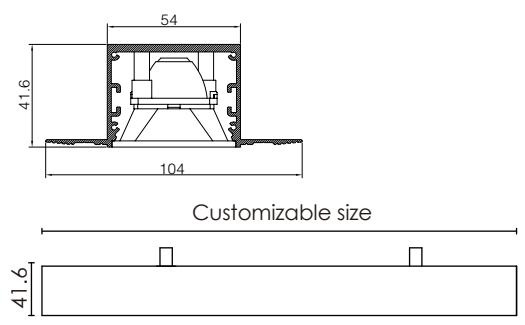


UGR<16



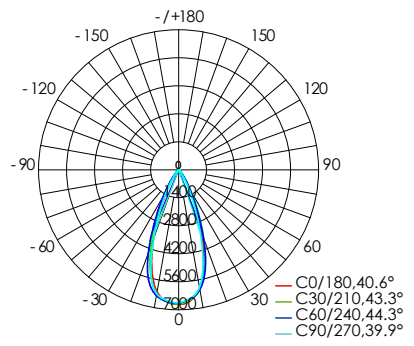
Feature

- Professional appearance design, simple and elegant.
- High quality, energy-efficient LED Lighting for environmental protection.
- External power supply, no flicker.
- Optional cover for the lamp (Reflector cup / PC cover).
- Professional anti-glare grille reflector cup, anti-glare value UGR<16, light comfort, eye protection.
- Application: offices, conference rooms, supermarkets, schools, home lighting and so on.



Luminaire parameters

Size	L1200*W104*H41.6mm
Lm	3600lm /4500lm
Input Voltage	AC100-240V
Beam Angle	15°/30°/45°
Nominal Power	50W
CCT	2700-6500k
CRI	>80
Protection Grade	IP40
Certification	CE, ROHS
Warranty	3 years



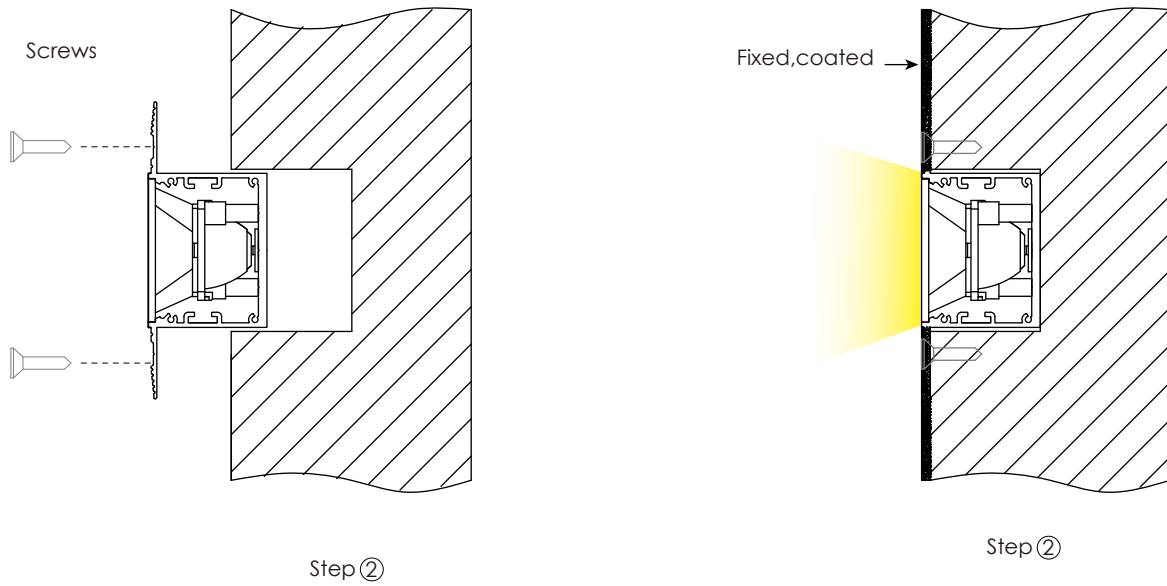
Height	Eavg, Emax	Diameter
1m	4848.6720lx	72.31cm
2m	1212.1680lx	144.63cm
3m	538.6746.7lx	216.94cm
4m	303.0420.0lx	289.26cm
5m	193.9268.8lx	361.57cm

Installation Accessories

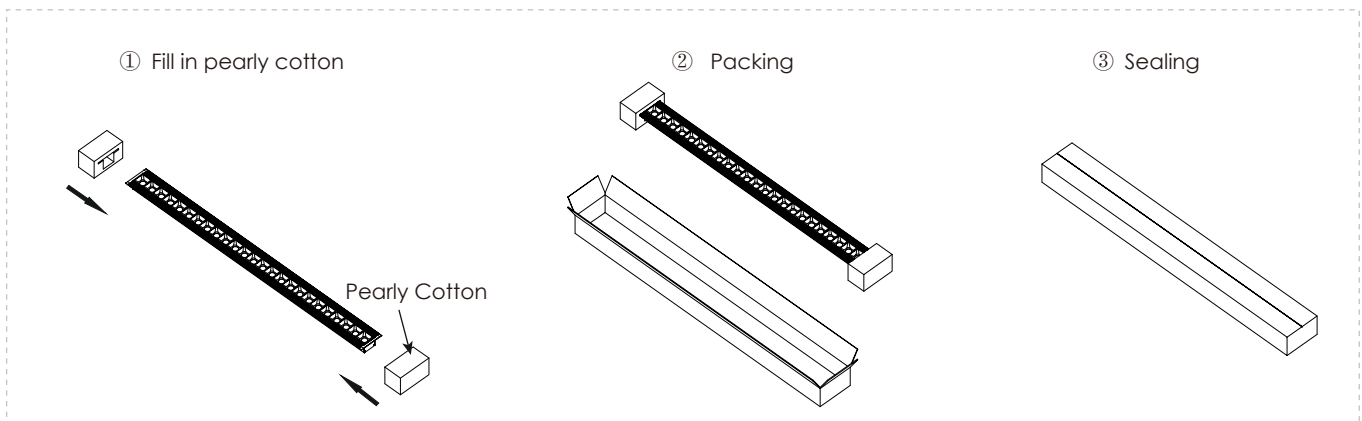


Note: The curve is the illumination area and the average illuminance of the luminaire under different projection distances.

Installation



Packing



Model	HL-TA048-L12	Carton box	1267*474*201mm
Inner box	1252*153*93mm	QTY/Carton	6 PCS

Notices

- 1.The power supply must be turned off before installation.
- 2.Make sure the product is mounted under the surface of the object to be installed, and finally turn on the power to light up.
- 3.This product is for indoor use only.
- 4.This product is warranted for 3 years and problems occur within 3 years (except for human factors and accidental factors), free maintenance.
- 5.The product is not responsible for damage caused by accidental factors or improper use.