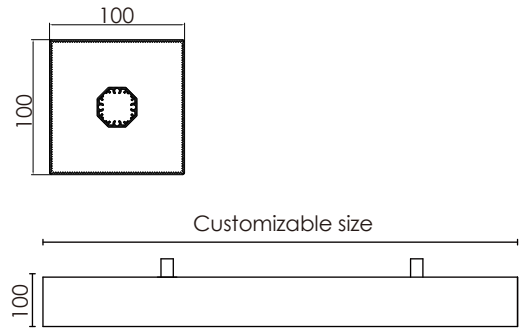




Feature

- Splicing design.
- Professional industrial design.
- Overall light emission, no dark areas.
- For Hotel, Store, Home lighting etc.



Luminaire parameters		
Size	L1000*W100*H100mm	L1500*W100*H100mm
Lm	3000lm	4500lm
Input Voltage	AC170-264V	AC170-264V
Beam Angle	360°	360°
Nominal Power	48W	70W
CCT	2700-6500k	2700-6500k
CRI	>80	>80
Protection Grade	IP40	IP40
Certification	CE, RoHS	CE, RoHS
Warranty	3 years	3 years

Installation Accessories



Suspended Rope



Connector

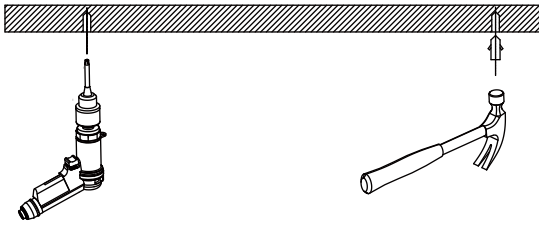


End Cover

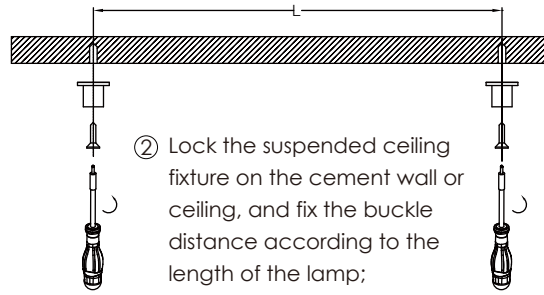


Aluminum Profile

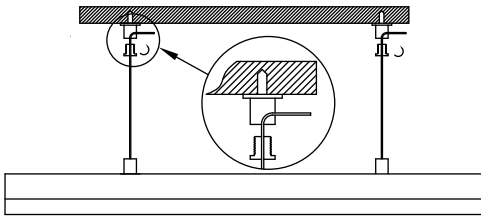
Installation



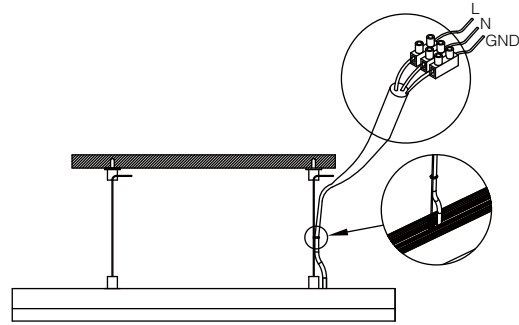
① Prepare the electric drill, hammer, stud;



② Lock the suspended ceiling fixture on the cement wall or ceiling, and fix the buckle distance according to the length of the lamp;



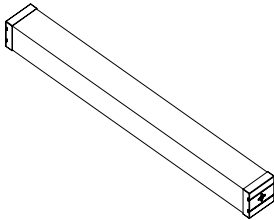
③ Lock the wire sling fixing parts, and fixed the installation length by adjust the wire sling;



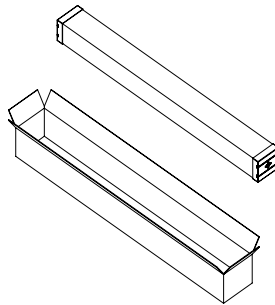
④ Connect the power supply and complete the installation.

Packing

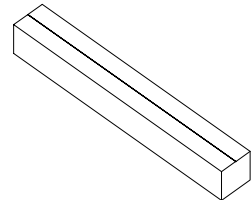
① Product



② Packing



③ Sealing



Model	HL-CA012-L10/L15	Carton box	1065*450*310mm/1565*450*310mm
Inner box	1050*145*145mm/1550*145*145mm	QTY/Carton	6 PCS

Notices

- 1.The power supply must be turned off before installation.
- 2.Make sure the product is mounted under the surface of the object to be installed, and finally turn on the power to light up.
- 3.This product is for indoor use only.
- 4.This product is warranted for 3 years and problems occur within 3 years (except for human factors and accidental factors), free maintenance.
- 5.The product is not responsible for damage caused by accidental factors or improper use.