

# HL-A060

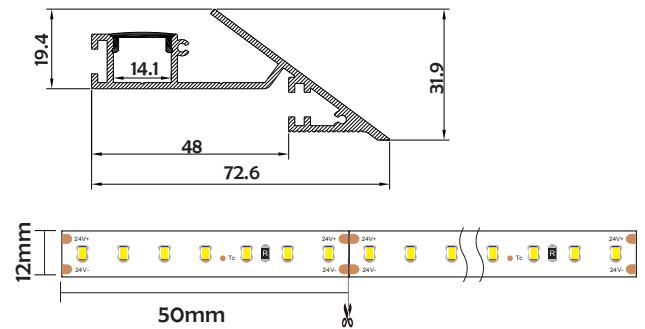


- Recessed design, integrated into architecture.
- Imported PC / PMMA diffuser with uniform and soft lighting.
- AL6063 aluminum profile with high-quality surface treatment.



## Basic Parameters

|                       |   |
|-----------------------|---|
| Material              | AL6063+PC/PMMA  |
| Surface               | Anodized/Painting                                       |
| Lighting source width | 12mm  |
| Length                | 4m/max  |
| Application           | Widely used in ceilings, corners of display racks, etc. |



## Installation Accessories



Aluminum Profile



End Cap

### • Optional cover



Opal (PC)



Opal matte (PMMA/PC)



Clear (PMMA/PC)



Semi-clear (PMMA/PC)



black clear (PC)



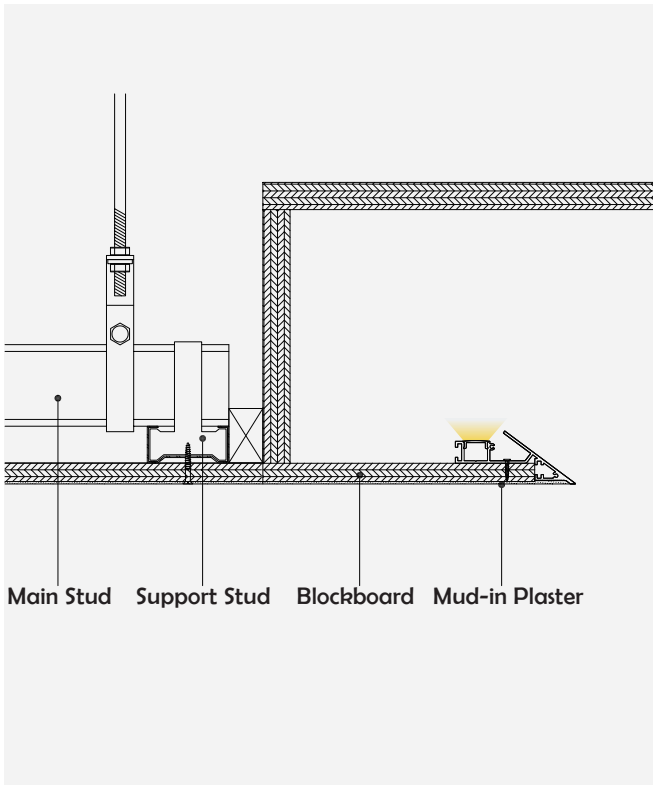
black opal (PC)



Opal prism diffuser (PC)

| Model   | Cover Model | Cover   |                                   | End Cap   | Clip | Suspended Rope (Set) | Connector | Lighting Source (width) |
|---------|-------------|---|-----------------------------------|-----------|------|----------------------|-----------|-------------------------|
|         |             | PC  | PMMA                              |           |      |                      |           |                         |
| HL-A060 | BAPL001     | Opal<br>Opal matte<br>Clear<br>Semi-clear<br>black clear<br>black opal<br>Opal prism diffuser | Opal matte<br>Clear<br>Semi-clear | Aluminium | /    | /                    | /         | max 12mm                |

## | Structure image



## | Effect image



## | Application

