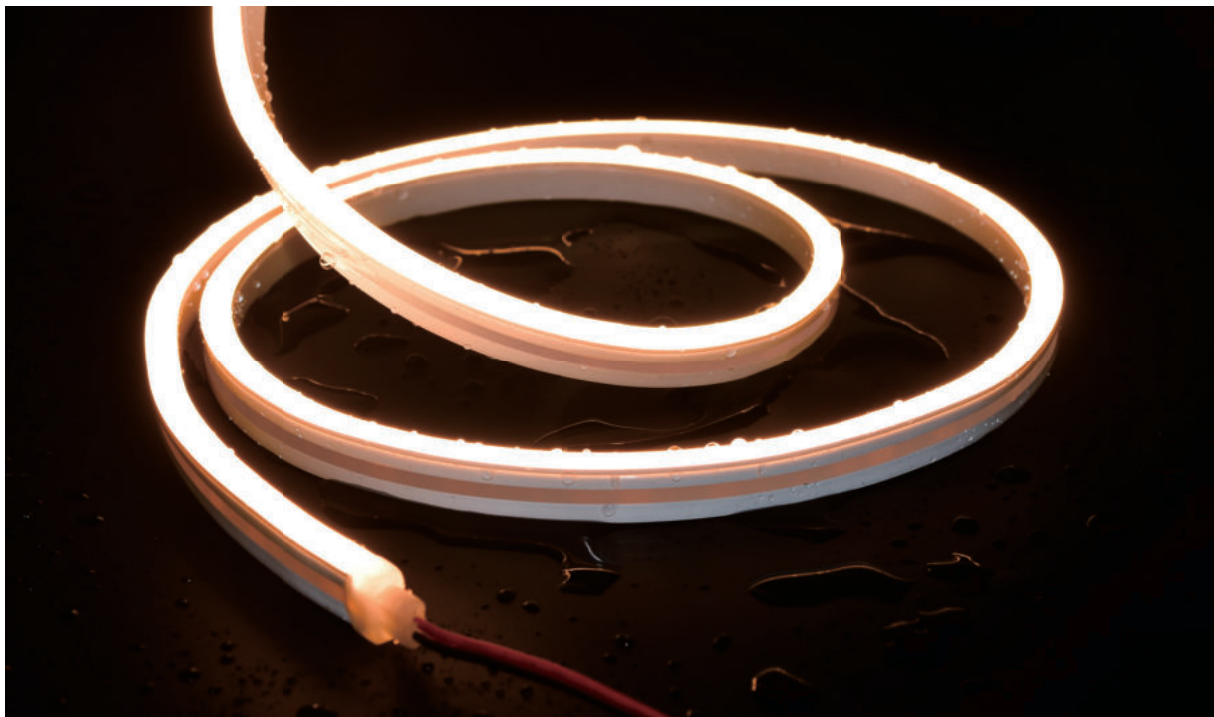
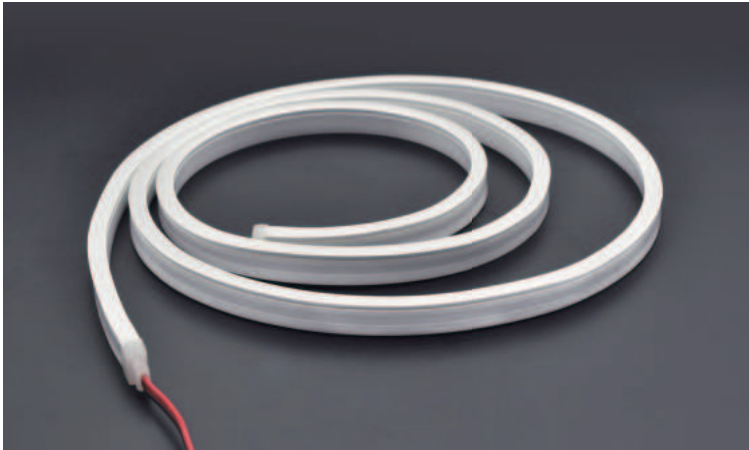


# SILICONE LED NEON LIGHT

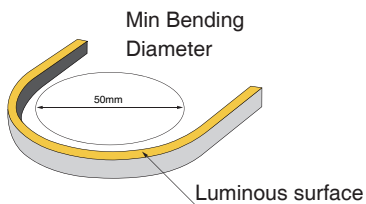
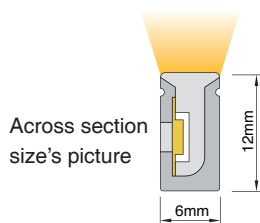
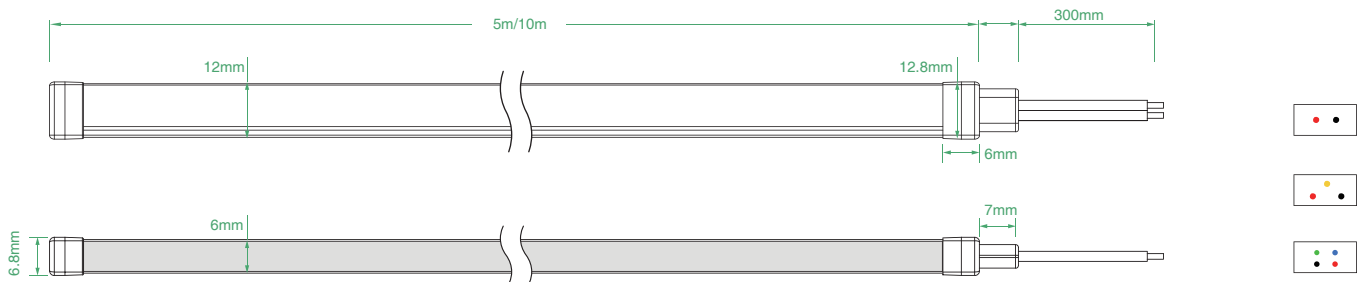
Model: HL-N0612V24-Cxx





Silicone LED neon light side0612 IP67, DC24V, is bending direction horizontally and Front / Side / Bottom Cable Entry. with radius of 25mm (1.97") and across section size: 6mm\*12mm/0.24"\*0.47"(W\*H). It is IP67 protection, never yellow, UV resistant, saltwater resistant and high temperature resistant via opal silicone coating. Uniform luminance and dot free will bring the most excellent performance for indoor & outdoor application. The product has constant voltage and constant current version. Constant current version can connect 15 meters in series with one power supply and don't have voltage drop, and can save the installation cost better. 5 years warranty.

## Dimension structure



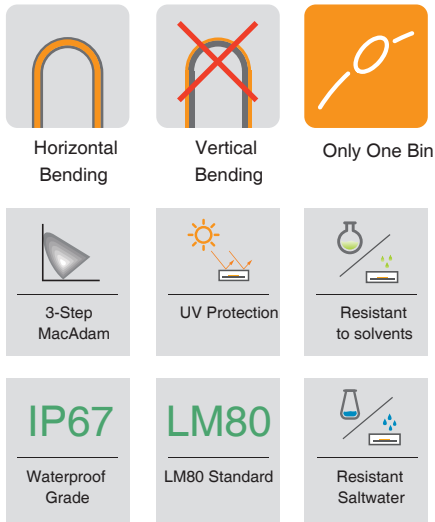
### Electrical Parameter

Voltage	DC24V
LED PIN Temperature	Max. 65°C
Working Temperature	-25°C ~ 60°C
Ambient Temperature	Min. -25°C. Max (Table below)
CRI	Ra80/Ra90 Optional

### Specification

Power	5w/m	10w/m
Efficacy (lm/w) @4000K	37.2lm/w	36lm/w
Max ambient temperature	55°C	45°C

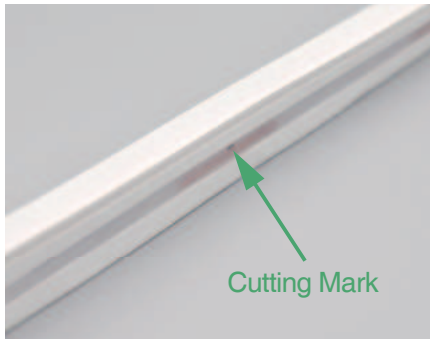
Due to the tolerance of the production and electrical components, output value and electrical power can vary up to 10%.



Finished CCT (K)	Unit out (mm)	CRI	Power (W)	Lumen (LM/m)	Efficacy (LM/w)	Max.run length(m)	CV/CC
● 2100±100	50	>90	5	145	29.0	15	CV/CC
			10	246	24.6	10	CV/CC
● 2400±100	50	>90	5	173	34.6	15	CV/CC
			10	312	31.2	10	CV/CC
● 2700±100	50	>90	5	178	35.6	15	CV/CC
			10	353	35.3	10	CV/CC
● 3000±100	50	>90	5	154	30.8	15	CV/CC
			10	299	29.9	10	CV/CC
● 3500 <sup>+200</sup> <sub>-100</sub>	50	>90	5	169	33.8	15	CV/CC
			10	327	32.7	10	CV/CC
● 4000 <sup>+300</sup> <sub>-200</sub>	50	>90	5	186	37.2	15	CV/CC
			10	360	36.0	10	CV/CC
● 5000 <sup>+300</sup> <sub>-200</sub>	50	>90	5	187	37.4	15	CV/CC
			10	360	36.0	10	CV/CC
● 6000 <sup>+400</sup> <sub>-100</sub>	50	>90	5	190	38.0	15	CV/CC
			10	359	35.9	10	CV/CC
● TW	50	>90	2.5	58	23.2	5	
			2.5	88	35.2	5	
			5	158	31.6	5	CV
			5	126	25.2	5	
			5	177	35.4	5	
● R	50	--	5	82	16.4	20	CV/CC
			10	160	16.0	13	
● G	50	--	5	240	48.0	15	CV/CC
			10	398	39.8	10	
● B	50	--	5	29.7	5.9	15	CV/CC
			10	51.6	5.2	10	
● Amber	50	--	5	61.4	12.3	20	CV/CC
			10	125	12.5	13	
● Pink	50	--	5	78	15.6	15	CV/CC
			10	144.6	14.5	10	
● RGB-R	50	--	1.7	16.5	9.7	5	CV
			5	32.5	6.5	5	
● RGB-G	50	--	1.7	46.6	27.4	5	CV
			5	79.7	15.9	5	
● RGB-B	50	--	1.7	6.1	3.6	5	CV
			5	15.3	3.1	5	
● RGB	50	--	5	73	14.6	5	CV
			10	126.6	12.7	5	

- 1.TW: Tunable white,CRI80
- 2.Max series length refers to single side feed
- 3.The above color temperature is the finished-product color temperature.
4. The given data are typical values due to the tolerance of the production and electrical components,output value and electrical power can vary up to 10%
- 5.Please don't walk on it without protection.

### Cutting Mark



Remark: The bottom of the led strip has transparent window, the black marker is the cutting position

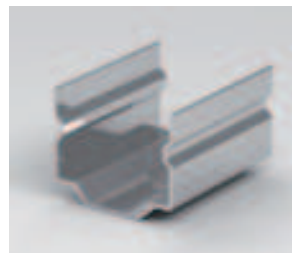
### Mounting Way



Aluminium Mounting Clips  
19.7x8x13mm(L x W x H)



Aluminium Profile  
1000x8x13mm(L x W x H)

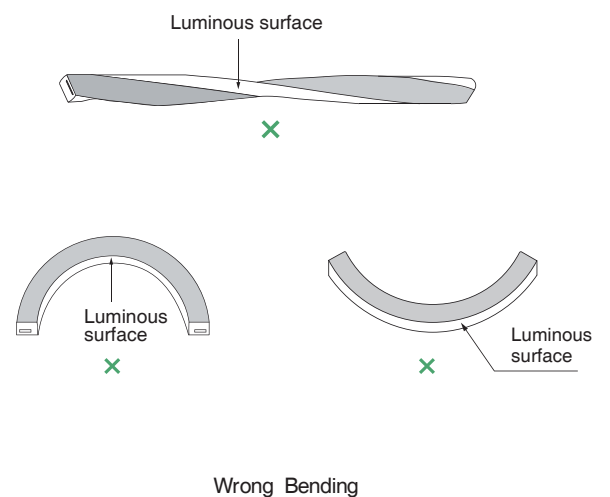
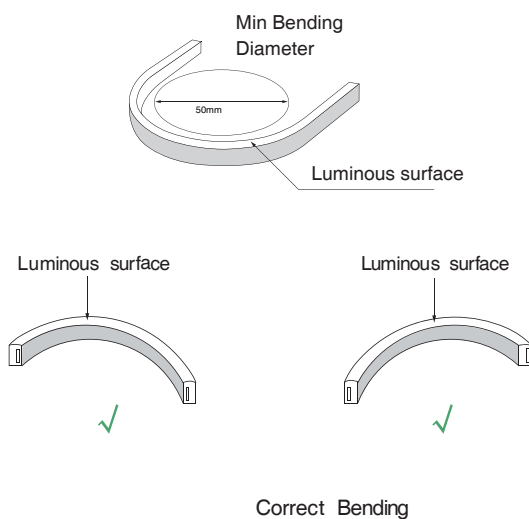


Stainless Steel Mounting clips  
15x7.5x13mm(L x W x H)

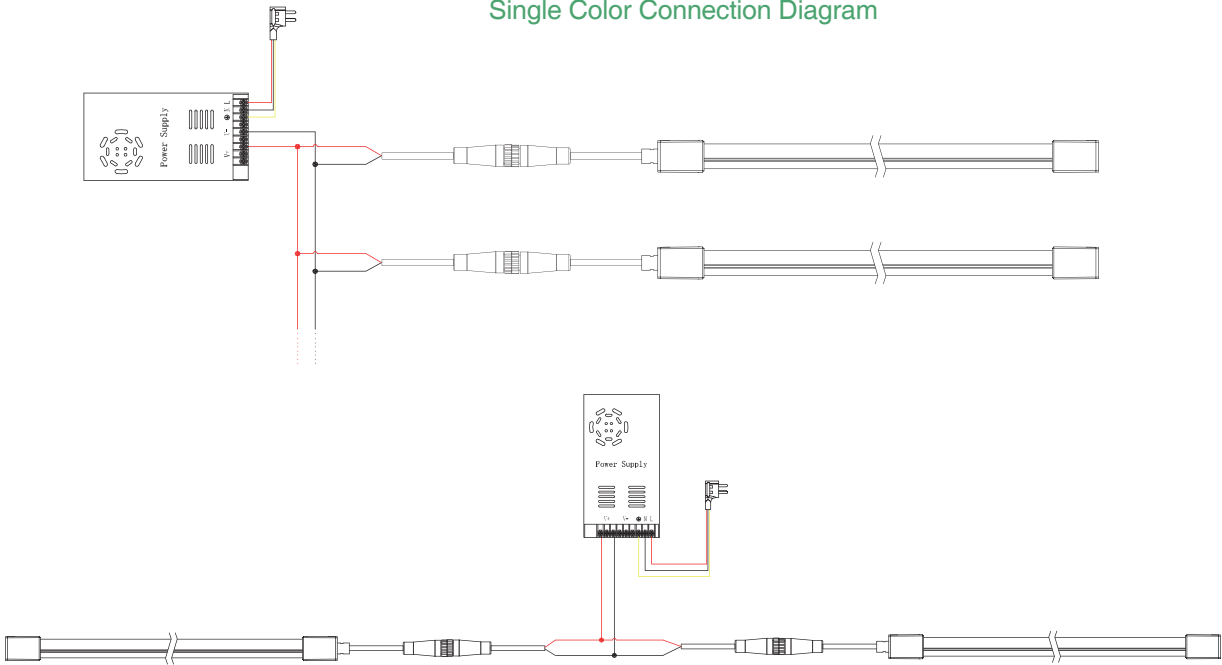


Flexible profile  
1000\*7.3\*12.1mm(L x W x H)

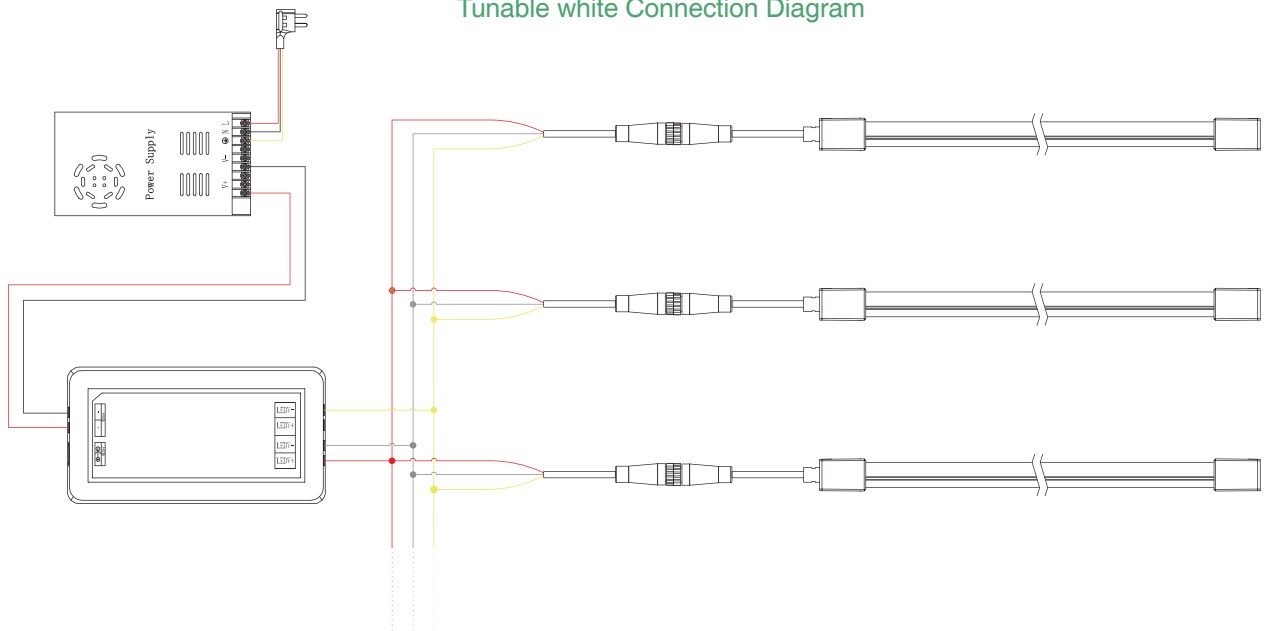
### Bending Diagram



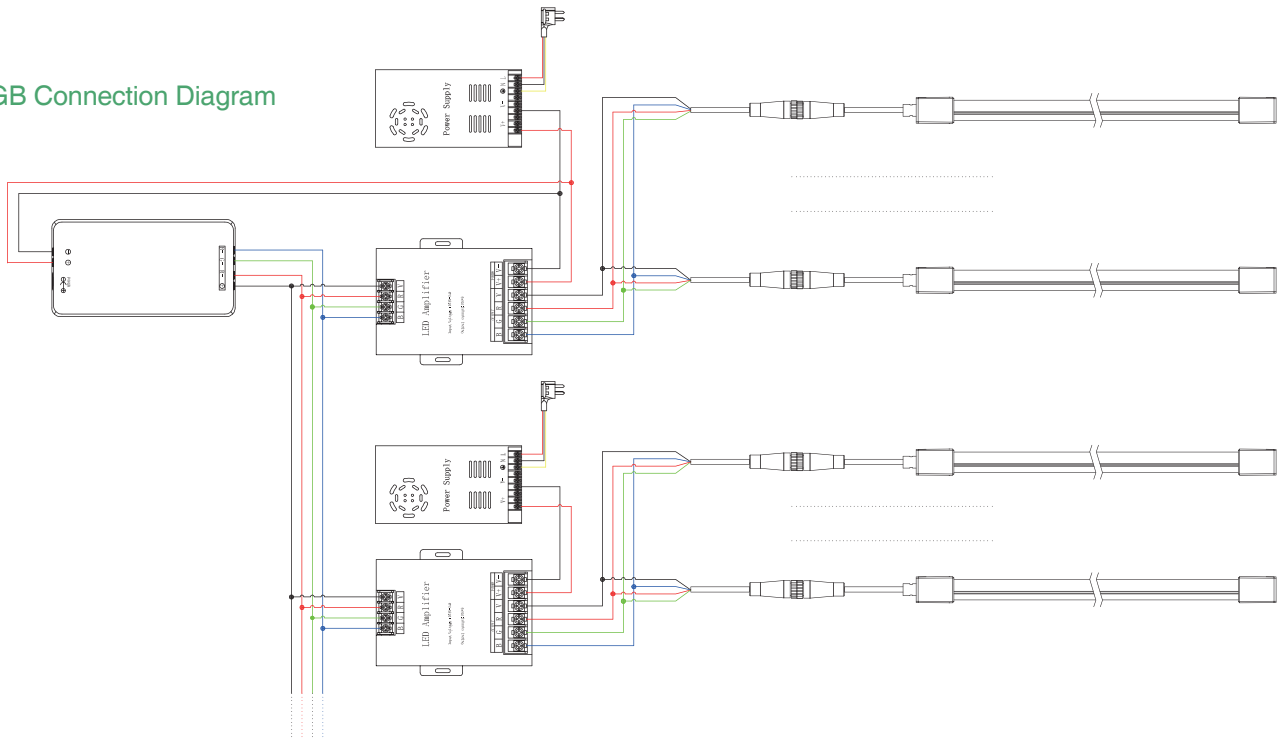
### Single Color Connection Diagram



### Tunable white Connection Diagram



### RGB Connection Diagram



H E L I A N

**Specialized  
LED strip  
Manufacturer**

**Shenzhen Helian Electronics Co.,Ltd**



3F, Tonggao building 2, Sanlian industrial area, Songbai Rd, Shiyan Town, Bao'an District, Shenzhen, Guangdong, China



**OUR EMAIL**

admin@hllcd.com



**OUR PHONE**

(86)-755-27606785



**OUR WEBSITE**

www.hllcd.com