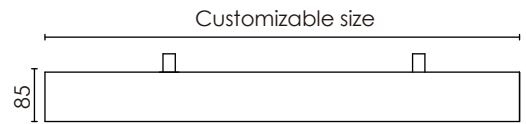
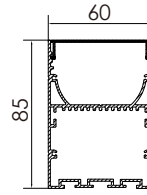


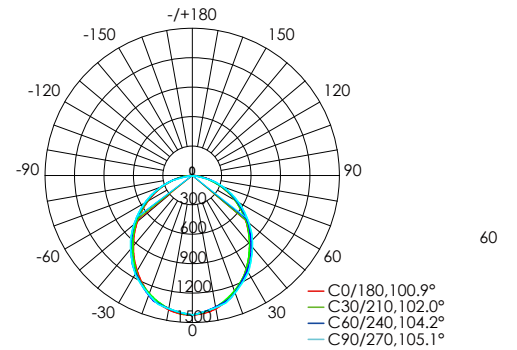
Feature

- Professional appearance design, simple and elegant.
- High quality, energy-efficient LED Lighting for environmental protection .
- Anodized aluminum profile with good heat sink.
- Built-in power supply, no flicker.
- For offices, conference rooms, supermarkets, home lighting, etc.



Luminaire parameters

Size	L1200*W60*H85mm
Lm	1500lm
Input Voltage	AC100-240V
Beam Angle	120°
Nominal Power	20W
CCT	2700-6500k
CRI	>80
Protection Grade	IP20
Certification	CE, ROHS
Warranty	3 years



Height	Eavg,Emax	Diameter
1m	517.7, 1422lx	242.32cm
2m	129.4, 355.4lx	484.65cm
3m	57.53, 157.9lx	726.97cm
4m	32.36, 88.84lx	969.29cm
5m	20.71, 56.86lx	1211.62cm

Installation Accessories



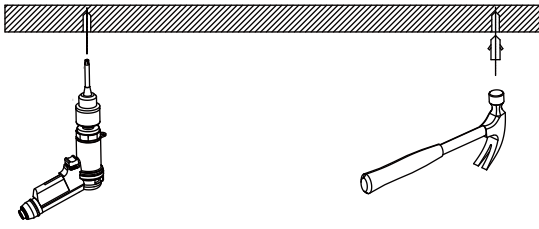
Suspended Rope



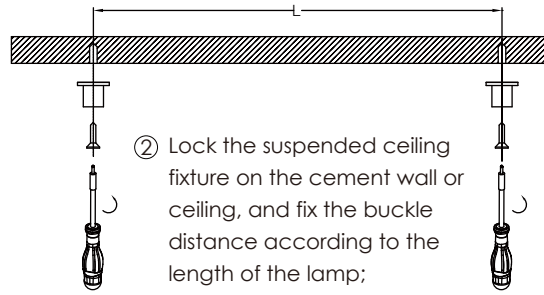
Aluminum Profile

Note: The curve is the illumination area and the average illuminance of the luminaire under different projection distances.

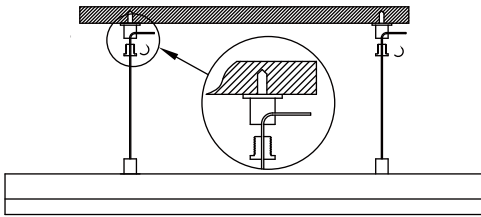
Installation



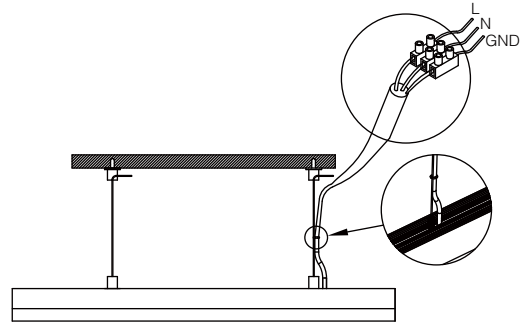
① Prepare the electric drill, hammer, stud;



② Lock the suspended ceiling fixture on the cement wall or ceiling, and fix the buckle distance according to the length of the lamp;



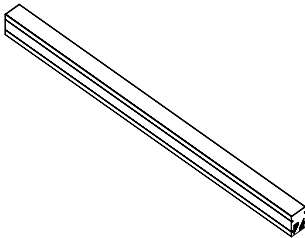
③ Lock the wire sling fixing parts, and fixed the installation length by adjust the wire sling;



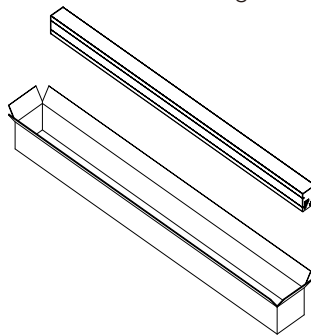
④ Connect the power supply and complete the installation.

Packing

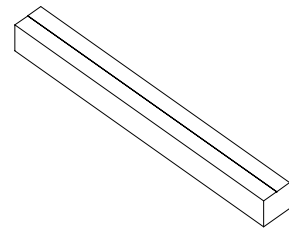
① Product



② Packing



③ Sealing



Model	HL-CA008-L12	Carton box	1265*405*275mm
Inner box	1250*130*130mm	QTY/Carton	6 PCS

Notices

- 1.The power supply must be turned off before installation.
- 2.Make sure the product is mounted under the surface of the object to be installed, and finally turn on the power to light up.
- 3.This product is for indoor use only.
- 4.This product is warranted for 3 years and problems occur within 3 years (except for human factors and accidental factors), free maintenance.
- 5.The product is not responsible for damage caused by accidental factors or improper use.