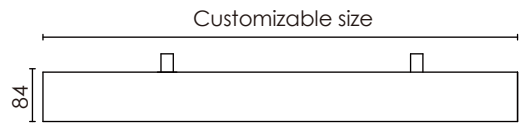
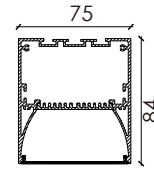




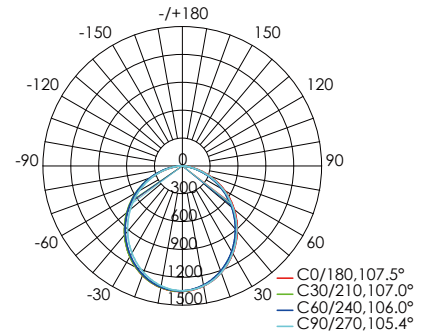
Feature

- Professional appearance design, simple and elegant.
- High quality, energy-efficient LED Lighting for environmental protection.
- Anodized aluminum profile with good heat sink.
- Built-in power supply, no flicker.
- For offices, conference rooms, supermarkets, home lighting, etc.



Luminaire parameters

Size	L1200*W75*H84mm
Lm	3600lm
Input voltage	AC100-240V
Beam angle	120°
Nominal Power	40W
CCT	2700-6500k
CRI	>80
Protection Grade	IP20
Certification	CE, RoHS
Warranty	3 years



Height	Eavg, Emax	Diameter
1m	448.6, 1352lx	260.74cm
2m	112.2, 337.9lx	521.48cm
3m	49.85, 150.2lx	782.23cm
4m	28.04, 84.47lx	1042.97cm
5m	17.95, 54.06lx	1303.71cm

Note: The curve is the illumination area and the average illuminance of the luminaire under different projection distances.

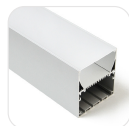
Installation Accessories



Suspended Rope

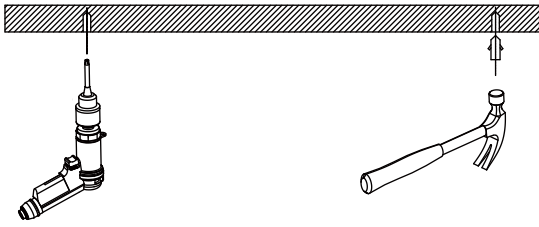


Connector

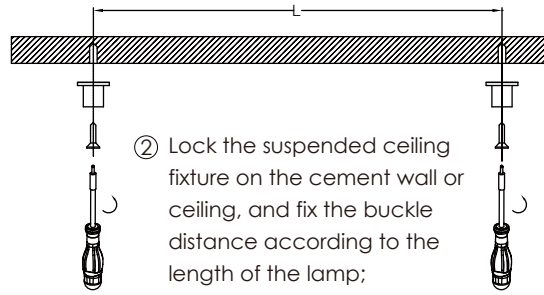


Aluminum Profile

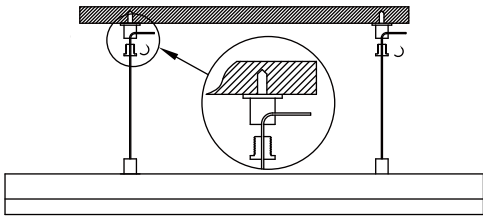
Installation



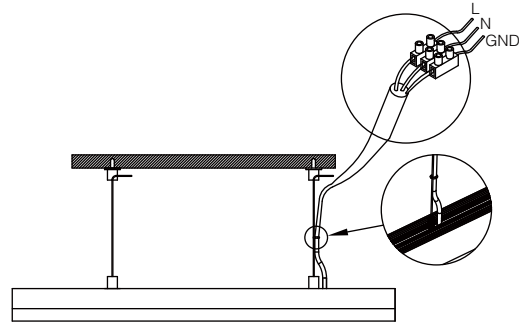
① Prepare the electric drill, hammer, stud;



② Lock the suspended ceiling fixture on the cement wall or ceiling, and fix the buckle distance according to the length of the lamp;



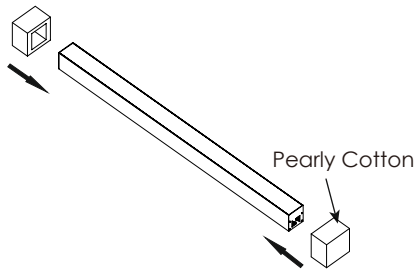
③ Lock the wire sling fixing parts, and fixed the installation length by adjust the wire sling;



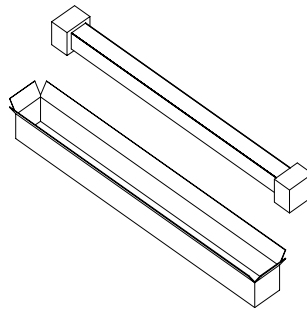
④ Connect the power supply and complete the installation.

Packing

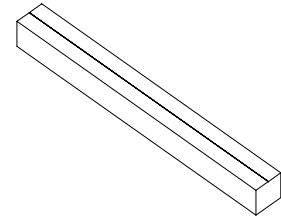
① Fill in pearly cotton



② Packing



③ Sealing



Model	HL-CA007-L12	Carton box	1267*399*271mm
Inner box	1252*128*128mm	QTY/Carton	6 PCS

Notices

- 1.The power supply must be turned off before installation.
- 2.Make sure the product is mounted under the surface of the object to be installed, and finally turn on the power to light up.
- 3.This product is for indoor use only.
- 4.This product is warranted for 3 years and problems occur within 3 years (except for human factors and accidental factors), free maintenance.
- 5.The product is not responsible for damage caused by accidental factors or improper use.