

HL-BAPL017

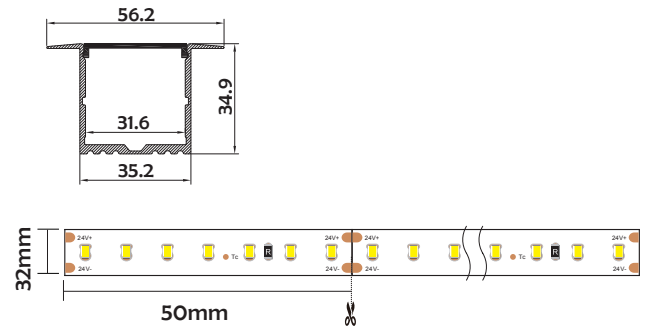


- Professional industrial design with sharp lines.
- Imported PC /PMMA diffuser with uniform and soft lighting.
- AL6063 aluminum profile with excellent heat dissipation performance.
- Easier and efficient recessed installation with clips.
- Closed-fitting end cap without screw, easier installation.



I Basic Parameters

Material	AL6063+PC/PMMA
Surface	Anodized/Painting
Lighting source width	32mm
Length	4m/max
Application	Apply to office, boardroom , supermarket and home lighting, mainly application for drywall and ceiling.



I Installation Accessories



Aluminum Profile



End Cap



Clip

• Optional cover



Opal (PC)



Clear (PC)



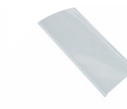
Semi-clear (PC)



Black clear microprism (PC)



Opal microprism (PC)



Clear microprism (PMMA)



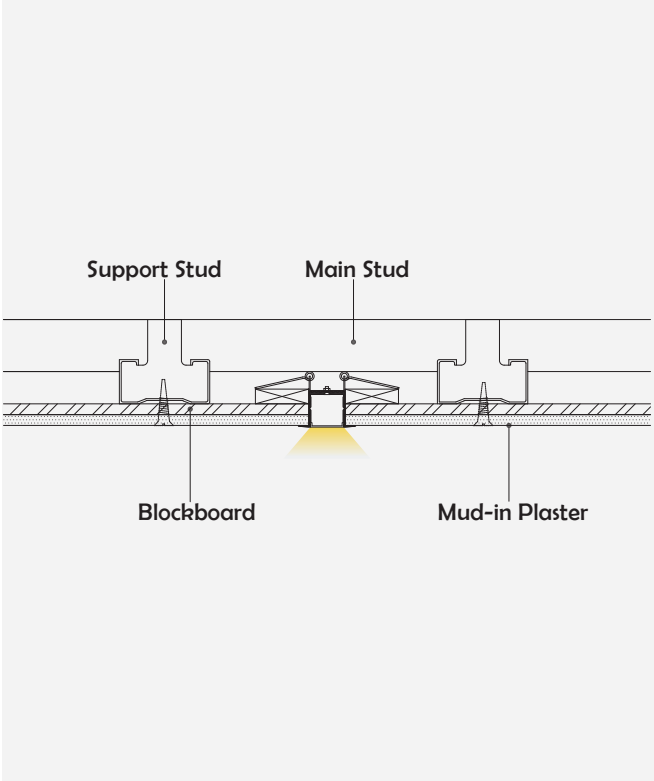
Semi-clear microprism (PMMA)



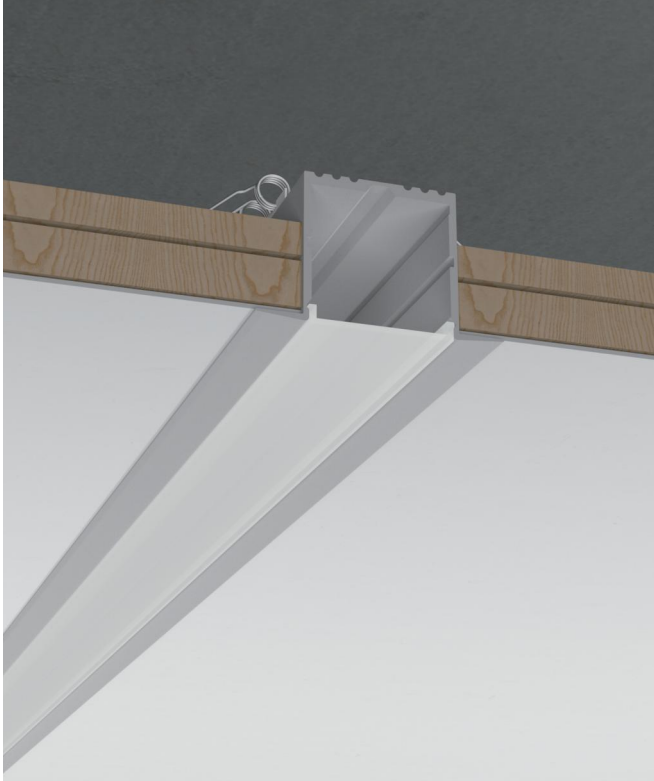
Opal matte microprism (PMMA)

Model	Cover Model	Cover		End Cap	Clip	Suspended Rope (Set)	Connector	Lighting Source (width)
		PC	PMMA					
HL-BAPL017	BAPL017	Opal Opal microprism Clear Semi-clear Black clear microprism	Opal matte microprism Clear microprism Cemi-clear microprism	Plastic	Stainless steel	/	/	max 32mm

I Structure image



I Effect image



I Application

