

HL-A092

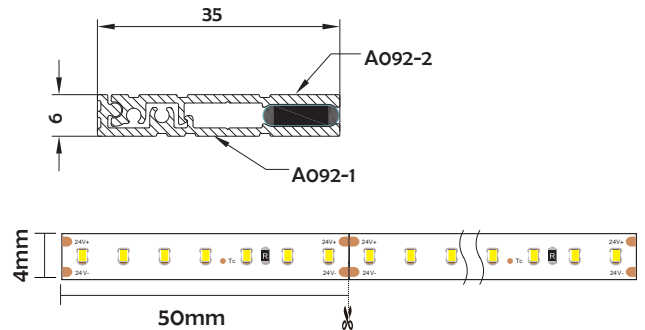


- Recessed design, integrated into architecture.
- AL6063 aluminum profile with high-quality surface treatment.
- The outer cover is made of environmentally friendly silica gel material, resistant to hydrochloric acid, acid and alkali corrosion, flame retardant, uv resistance, reliable and quality assurance



I Basic Parameters

Material	AL6063+Silicone strips
Surface	Anodized/Painting
Lighting source width	4mm
Length	4m/max
Application	For offices, conference rooms, supermarkets, home lighting application.



I Installation Accessories



Aluminum Profile



Cover

• Optional cover



Red



Yellow



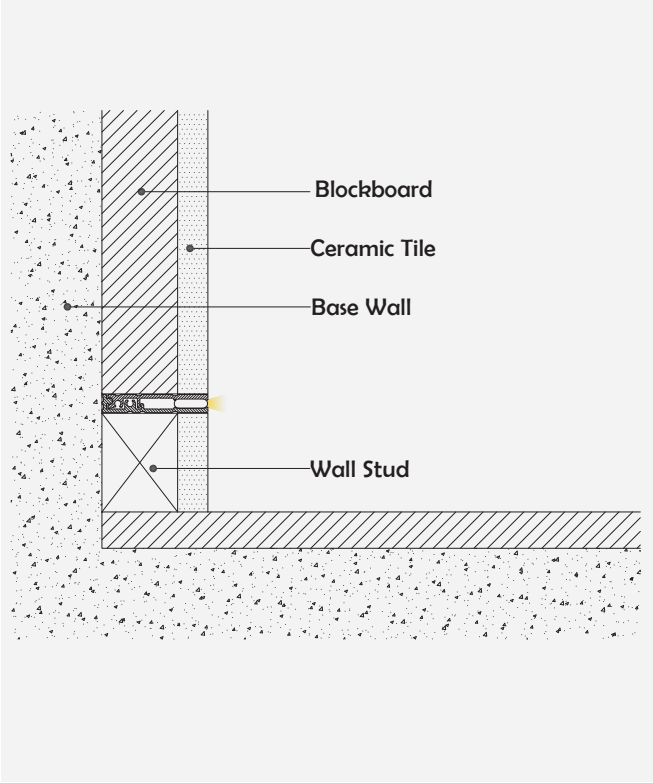
Blue



White

Model	Cover Model	Cover		End Cap	Clip	Suspended Rope (Set)	Connector	Lighting Source (width)
		PMMA	Silicone strip					
HL-A092	/	/	red yellow blue white	Aluminium	/	/	/	max 4mm

I Structure image



I Effect image



I Application

