

# HL-A065

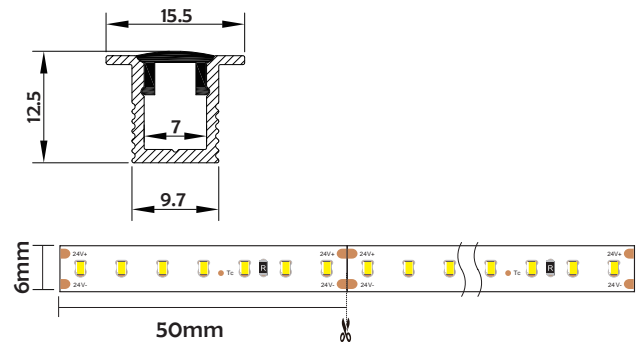


- Professional industrial design with sharp lines.
- Imported PC /PMMA diffuser with uniform and soft lighting.
- AL6063 aluminum profile with excellent heat dissipation performance.
- Closed-fitting end cap without screw, easier installation.



## I Basic Parameters

Material	AL6063+PC/PMMA
Surface	Anodized/Painting
Lighting source width	6mm
Length	4m/max
Application	Widely used in shopping centers, commercial buildings, office buildings, home lighting, etc.



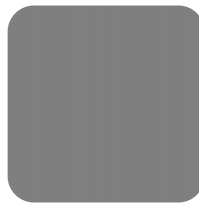
## I Installation Accessories



Aluminum Profile



End Cap



Clip

### • Optional cover



Opal (PC)



Opal matte (PMMA/PC)



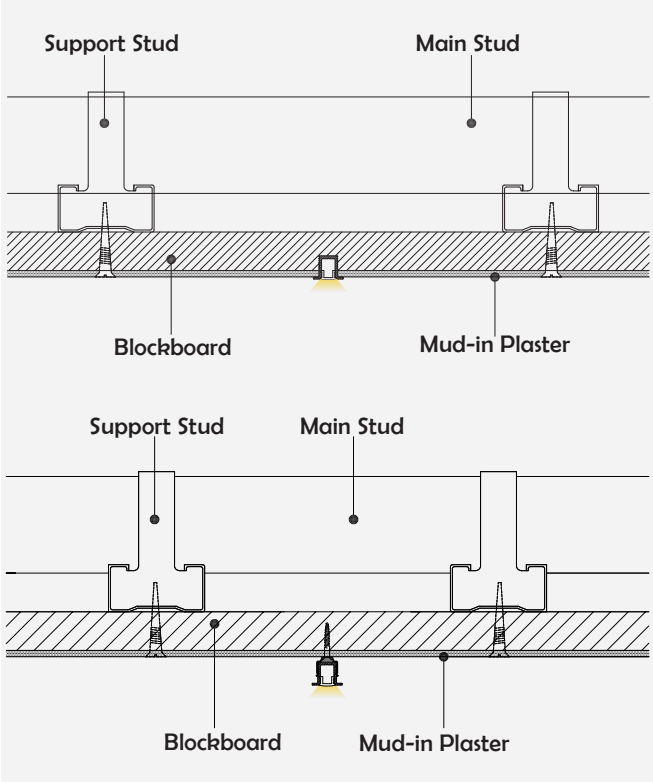
Clear (PMMA/PC)



Semi-clear (PMMA/PC)

Model	Cover Model	Cover		End Cap	Clip	Suspended Rope (Set)	Connector	Lighting Source (width)
		PC	PMMA					
HL-A065	BAPL002S	Opal matte Opal Clear Semi-clear	Opal matte Clear Semi-clear	Plastic	Stainless steel	/	/	max 6mm

# I Structure image



# I Effect image



# I Application

