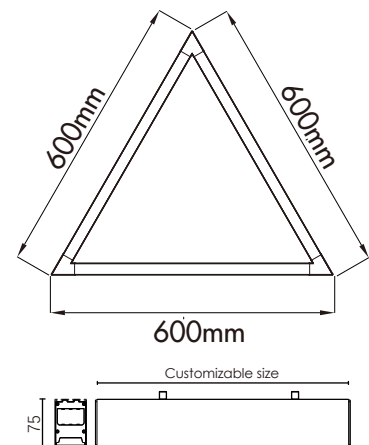


Feature

- Modular triangular linear lighting offer infinite possibilities.
- High quality, energy-efficient LED Lighting for environmental protection.
- The power supply is built-in and the wiring is of the PUSH-IN shrapnel type. It is easy to install, disassemble, and maintain.
- For offices, conference rooms, supermarkets, home lighting, airports, museums, libraries, corridors, cinemas, hotels, etc.

Luminaire parameters

Model	HL-PB5075A-A06
Size	600*600*60mm
Nominal Power	36W
Lm	5000lm±10%
Beam Angle	110°
Input Voltage	AC200-240V
CCT	4000k
CRI	>80
Protection Grade	IP20
Certification	CE, ROHS
Warranty	3 years



Installation Accessories



module1



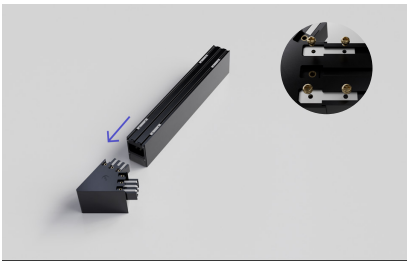
module2



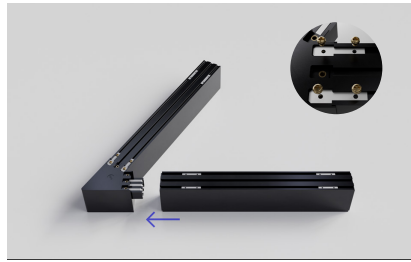
Accessory

Installation

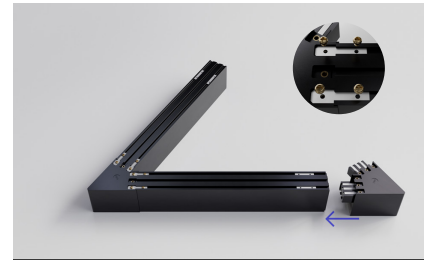
Step 1: Assembly product



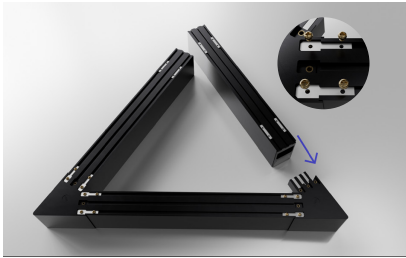
①



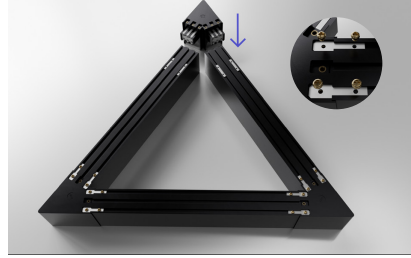
②



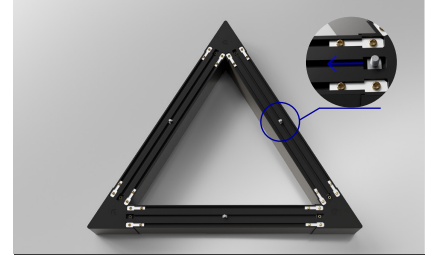
③



④



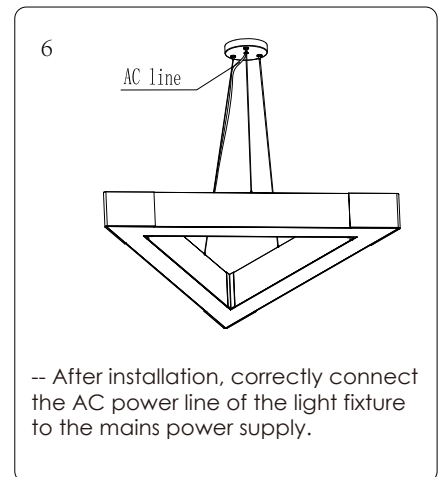
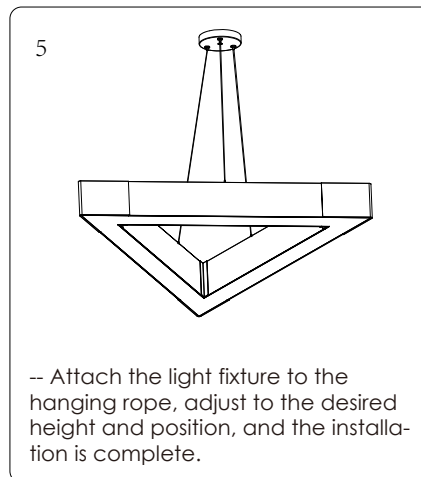
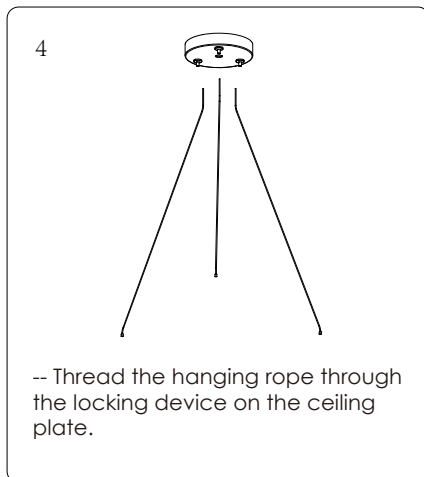
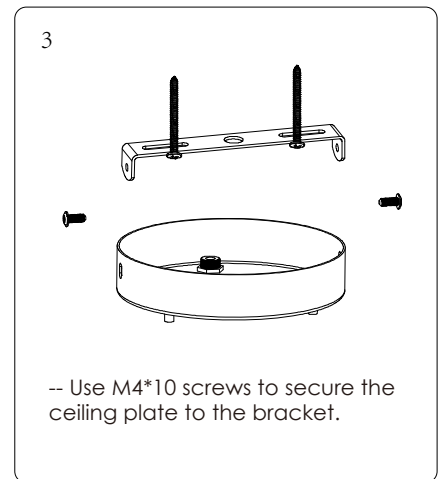
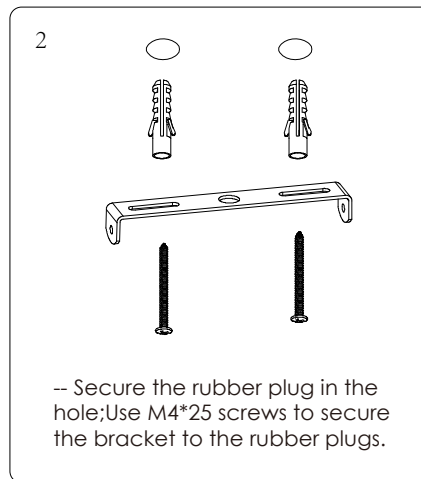
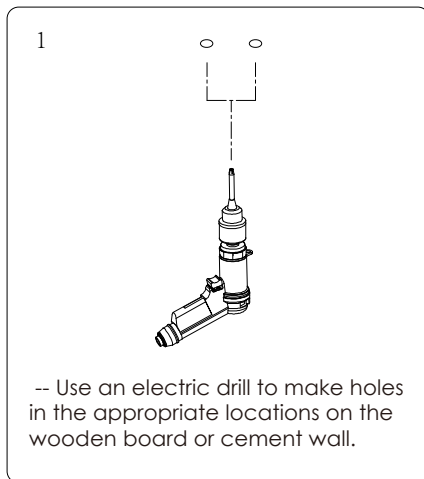
⑤



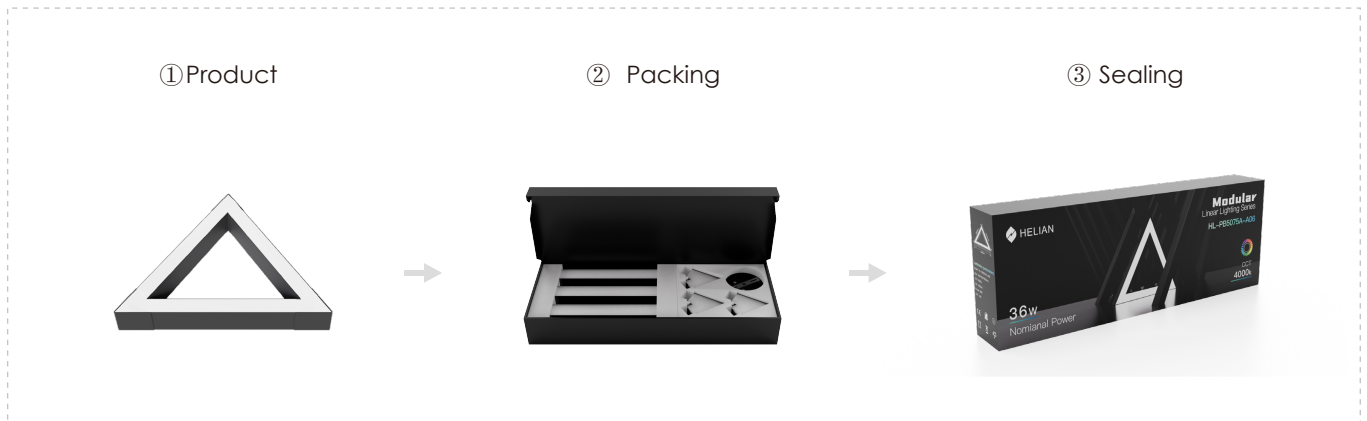
⑥

Step 2: Install

Please make sure that the place of installation could stand 10 times the weight of itself before installing in a place where is no vibration, no swing, and no fire risk.



Packing



Model	HL-PB5075A-A06	Carton box	745*550*325mm
Inner box	730*266*100mm	QTY/Carton	6 PCS
Gross weight	4182g/1PCS		

USER INSTRUCTIONS

- 1.The installation of the unit must be done by a qualified electrician.
- 2.The unit must be earthed in case an earth connecting point exists.
- 3.Ensure that the mains is switched off during servicing.
- 4.Do not use bulb(s) bigger than the indicated on units name-plate or packaging.
- 5.Ensure that after the installation,the unit is properly fixed and the cable clamps (if exist)are well tightened.
- 6.Manufacturer will not accept liability for injury or damage resulting from incorrect use or installation.