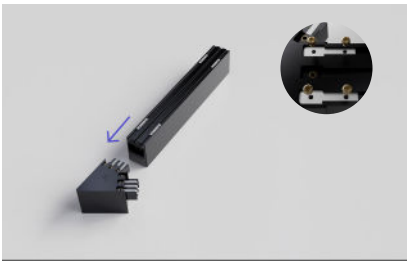
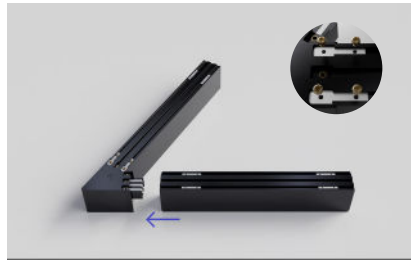


## Installation

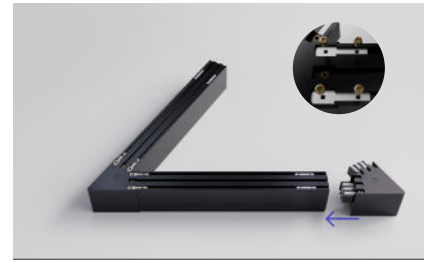
### Step 1: Assembly product



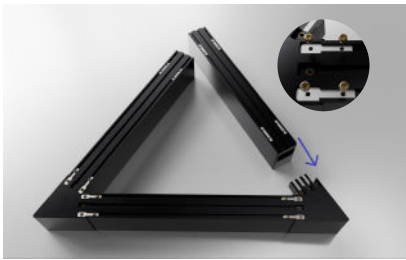
①



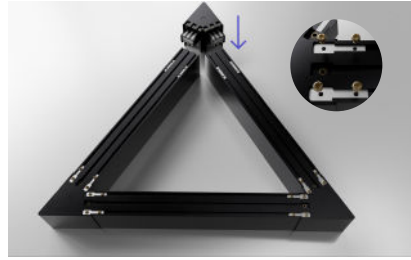
②



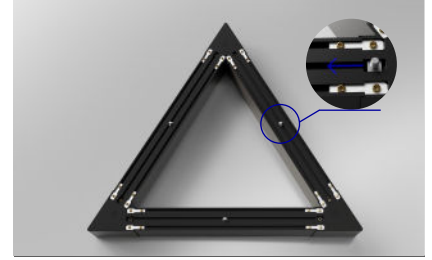
③



④



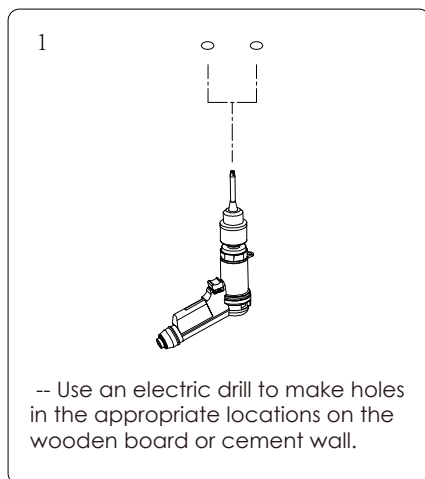
⑤



⑥

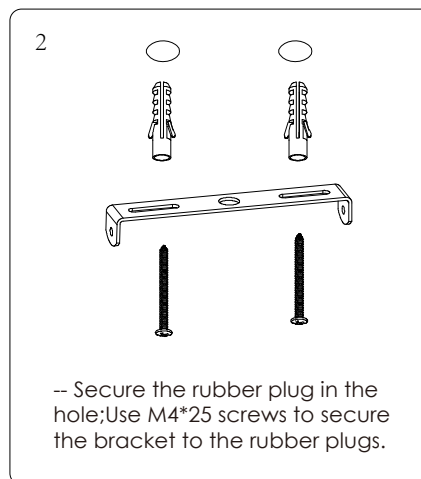
### Step 2: Install

Please make sure that the place of installation could stand 10 times the weight of itself before installing in a place where is no vibration, no swing, and no fire risk.



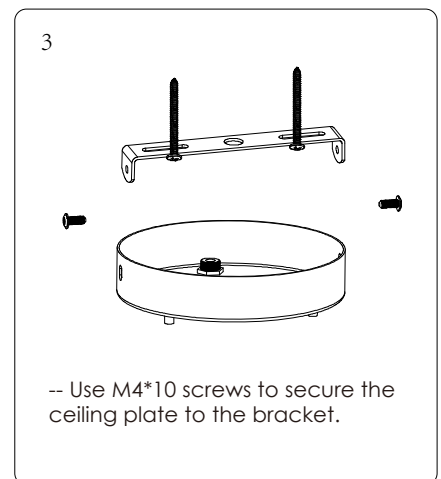
1

-- Use an electric drill to make holes in the appropriate locations on the wooden board or cement wall.



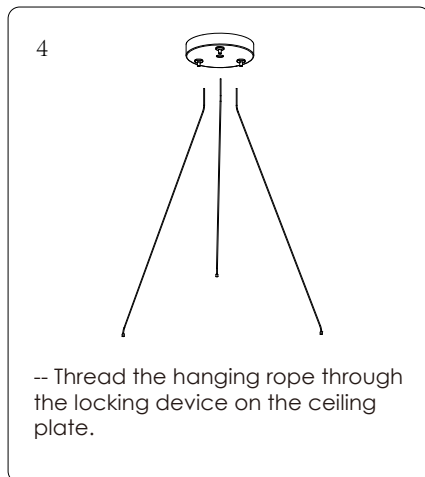
2

-- Secure the rubber plug in the hole; Use M4\*25 screws to secure the bracket to the rubber plugs.



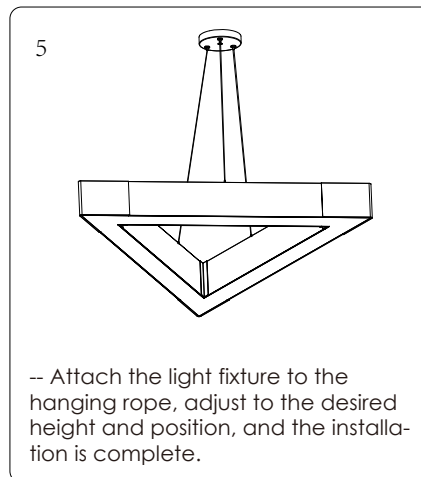
3

-- Use M4\*10 screws to secure the ceiling plate to the bracket.



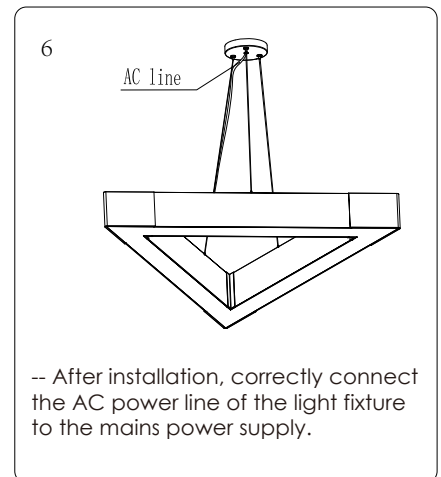
4

-- Thread the hanging rope through the locking device on the ceiling plate.



5

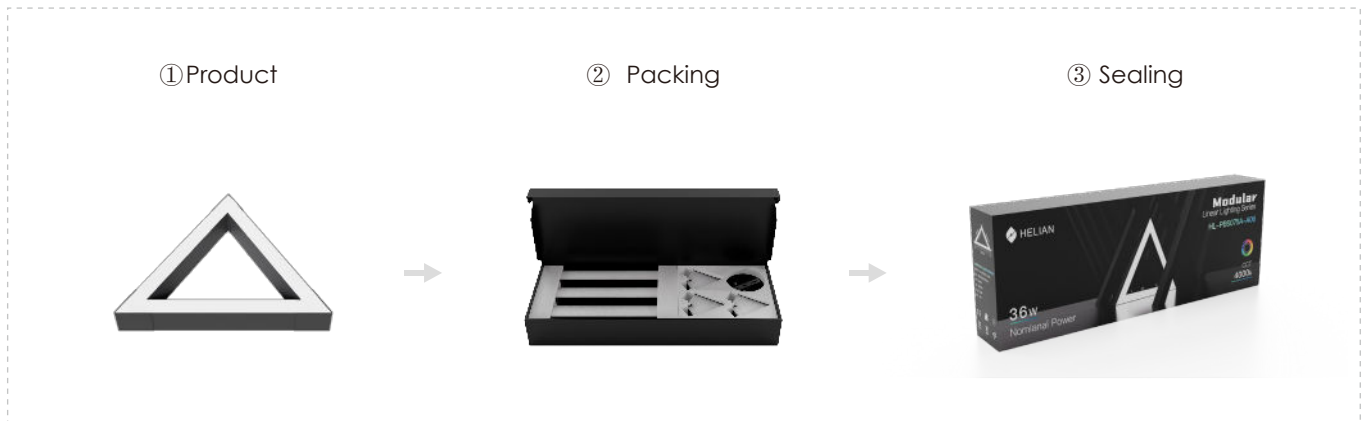
-- Attach the light fixture to the hanging rope, adjust to the desired height and position, and the installation is complete.



6

-- After installation, correctly connect the AC power line of the light fixture to the mains power supply.

## Packing



Model	HL-PB5075A-A06	Carton box	745*550*325mm
Inner box	730*266*100mm	QTY/Carton	6 PCS
Gross weight	4182g/1PCS		

## USER INSTRUCTIONS

- 1.The installation of the unit must be done by a qualified electrician.
- 2.The unit must be earthed in case an earth connecting point exists.
- 3.Ensure that the mains is switched off during servicing.
- 4.Do not use bulb(s) bigger than the indicated on units name-plate or packaging.
- 5.Ensure that after the installation,the unit is properly fixed and the cable clamps (if exist)are well tightened.
- 6.Manufacturer will not accept liability for injury or damage resulting from incorrect use or installation.