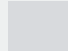






Splicable Linear Chandelier

# Model: HL-PA014D

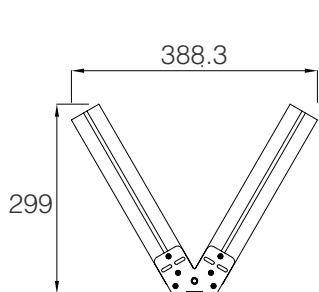
Color(Optional):     
Sliver Black White



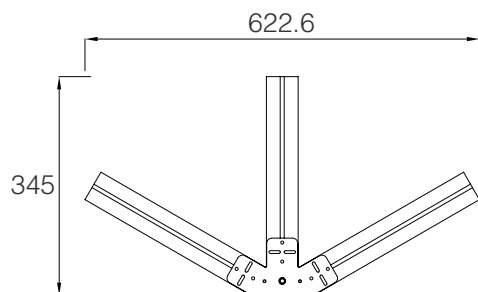
## SIZE

---

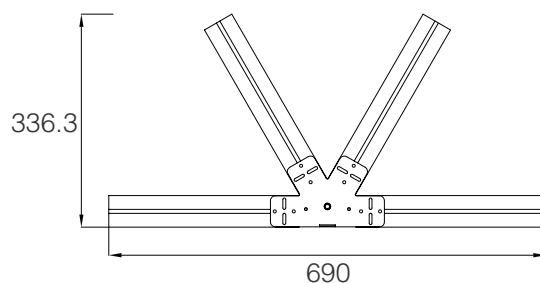
Unit: mm



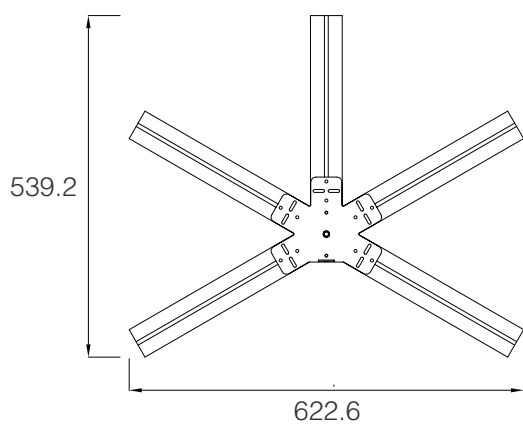
HL-PA014D-02



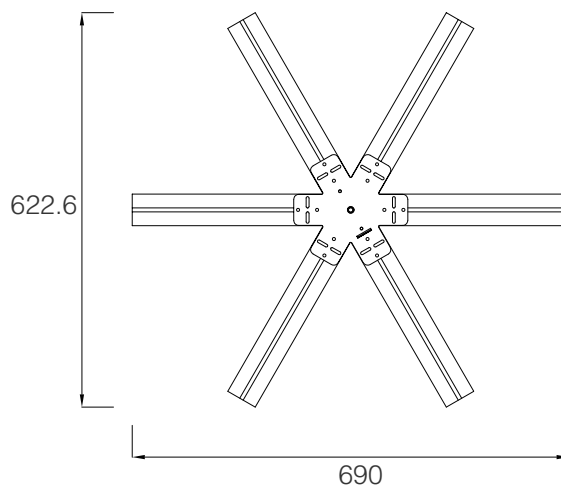
HL-PA014D-03



HL-PA014D-04



HL-PA014D-05



HL-PA014D-06

## Feature

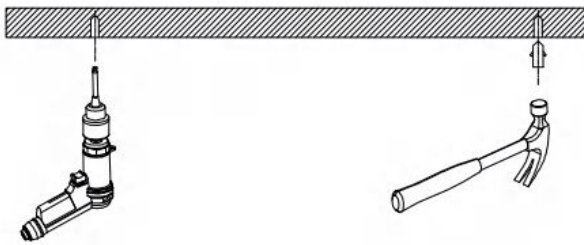
---

- Adopting LED as light source with long-lasting, safe, environmental- friendly features.
- With more practical features comparison to traditional lamps, adopting modular management to easily realize to splice from 2 parts to 6 parts.
- Simple, elegant appearance with quick, fast installation feat

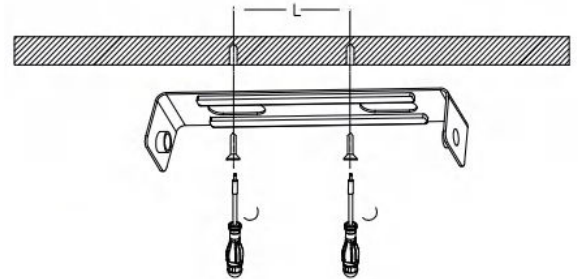
## PARAMETERS

Model	HL-PA014D-02	HL-PA014D-03	HL-PA014D-04	HL-PA014D-05	HL-PA014D-06
Nominal Power	16W	24W	32W	40W	48W
LM	1640	2460	3280	4100	4920
CCT	2700-6500K				
CRI	>80				
Input Voltage	AC100-240V				
IP	IP20				
Certification	CE、RoHS				
Warranty	3 years				
Working Temperature	-20~+50℃				
G.W	0.95KG	1.2KG	1.7KG	2KG	2.3KG

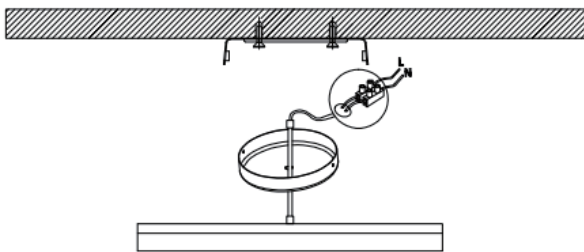
## INSTRUCTIONS



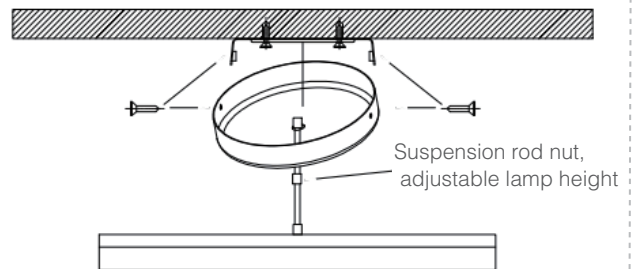
① Prepare the electric drill, hammer, stud.



② Lock the suspended ceiling fixture on the cement wall or ceiling, and fix the buckle distance according to the length of the lamp.



③ Fit the fittings and connect the wire.



④ Make the center of the hole of the ceiling cup and the bracket consistent, tighten the screws, adjust the height of the lamp, and tighten the nuts.

## INSTALLATION RENDERINGS



HL-PA014D-02



HL-PA014D-03



HL-PA014D-04



HL-PA014D-05

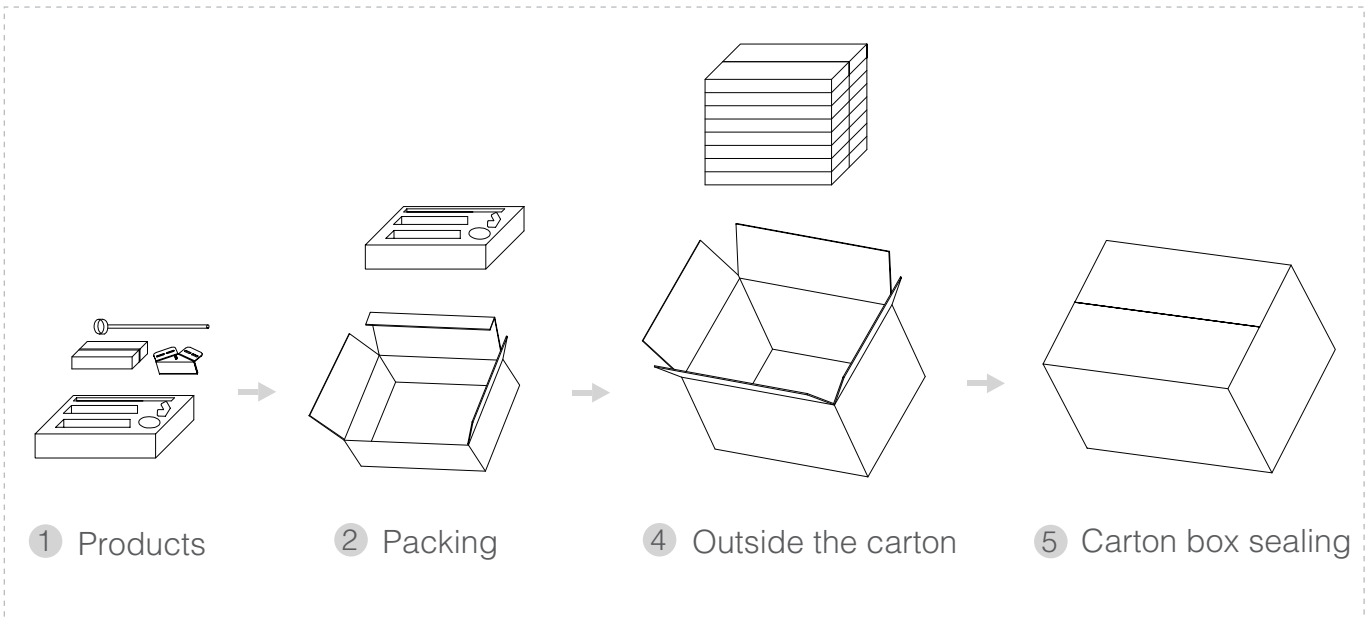


HL-PA014D-06

## APPLICATION PICTURE



## PACKAGING



	Model	Inner box	Carton box	QTY/Carton
01	HL-PA014D-02	L554*W180*H60mm	L580*W385*H500mm	16PCS
02	HL-PA014D-03	L517*W280*H60mm	L540*W585*H325mm	10PCS
03	HL-PA014D-04	L522*W304*H60mm	L540*W635*H325mm	10PCS
04	HL-PA014D-05	L522*W414*H60mm	L550*W440*H500mm	8PCS
05	HL-PA014D-06			

## NOTICES

- The power supply must be turned off before installation.
- Make sure the product is mounted under the surface of the object to be installed, and finally turn on the power to light up.
- This product is for indoor use only.
- This product is warranted for 3 years and problems occur within 3 years (except for human factors and accidental factors), free maintenance.
- The product is not responsible for damage caused by accidental factors or improper use.

H E L I A N

**Shenzhen  
Helian  
Electronics Co.,Ltd**

## Shenzhen Helian Electronics Co.,Ltd



3F, Tonggao building 2, Sanlian industrial area, Songbai Rd, Shiyan Town, Bao'an District, Shenzhen, Guangdong, China



**OUR EMAIL**

admin@hlled.com



**OUR PHONE**

(86)-755-27606785



**OUR WEBSITE**

www.hlled.com