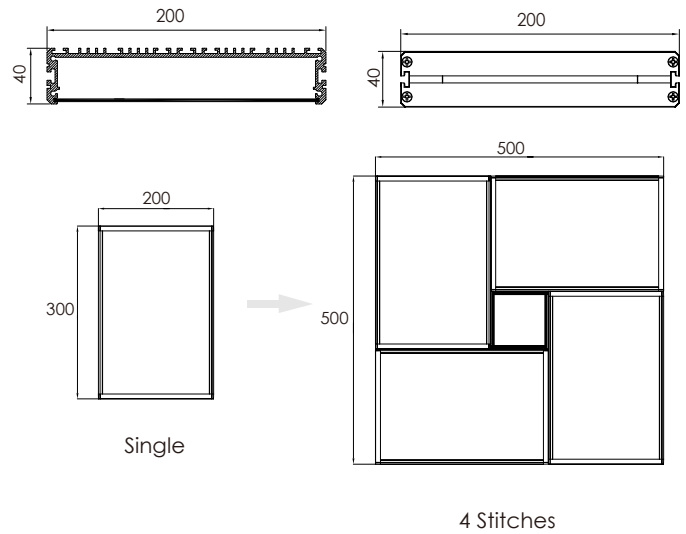


UGR<19



### Feature

- Single light source LED 2835-0.2W, low power consumption, long life, good heat dissipation, energy saving, environmentally friendly;
- Using an external, low-voltage constant-current power supply is safe and reliable, with no stroboscopic effects.
- Combination and splicing are simple, and installation is convenient, both vertically and horizontally;
- The size is large and the lighting is sufficient;
- Professional anti-glare prism diffuser plate, anti-glare value UGR<19, soft and comfortable light, protect eyes;
- Applications: Offices, conference rooms, supermarkets, schools, home lighting, etc.



### Luminaire parameters

Size	L500*W500*H40mm
Lm	8400lm
Input Voltage	AC100-240V
Beam Angle	120°
Nominal Power	60W
CCT	2700-6500k
CRI	>80
Protection Grade	IP40
Certification	CE, RoHS
Warranty	3 years

### Installation Accessories



Suspended Rope



Connector



End cap



Aluminum Profile

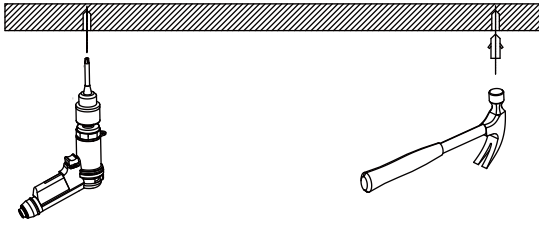


Diffusion plate

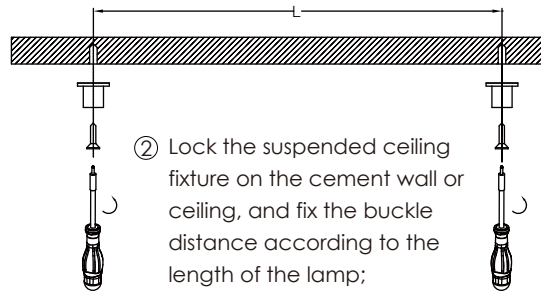


Diamond mirror plate

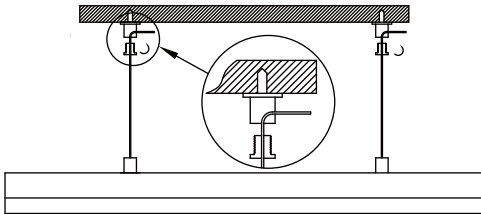
## Installation



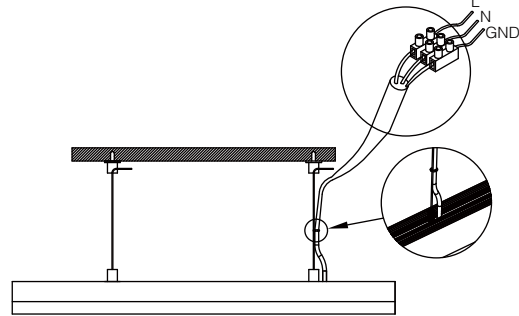
① Prepare the electric drill, hammer, stud;



② Lock the suspended ceiling fixture on the cement wall or ceiling, and fix the buckle distance according to the length of the lamp;

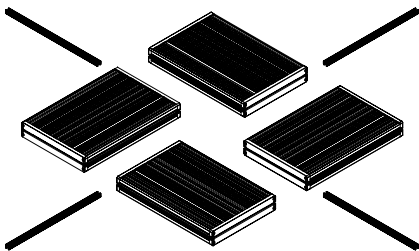


③ Lock the wire sling fixing parts, and fixed the installation length by adjust the wire sling;

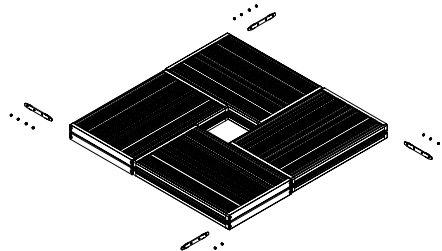


④ Connect the power supply and complete the installation.

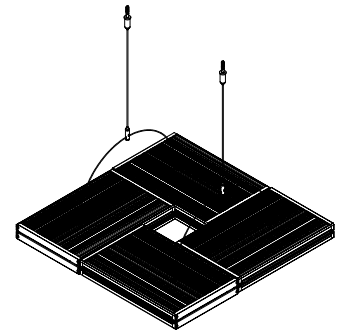
## Splicing method



① First, put the lamps together, and then insert the H-shaped profile strips into the slots;



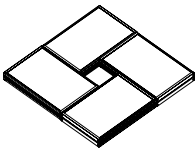
② To fix it, insert the connecting piece between the two lamps, and then lock the screws with a small wrench;



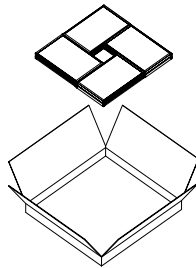
③ Splicing and installation are complete;

## Packing

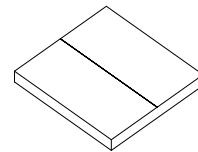
① Product



② Packing



③ Sealing



Model

HL-PA085-B

Carton box

610\*570\*285mm

Inner box

585\*555\*65mm

QTY/Carton

4 PCS

## Notices

- 1.The power supply must be turned off before installation.
- 2.Make sure the product is mounted under the surface of the object to be installed, and finally turn on the power to light up.
- 3.This product is for indoor use only.
- 4.This product is warranted for 3 years and problems occur within 3 years (except for human factors and accidental factors), free maintenance.
- 5.The product is not responsible for damage caused by accidental factors or improper use.