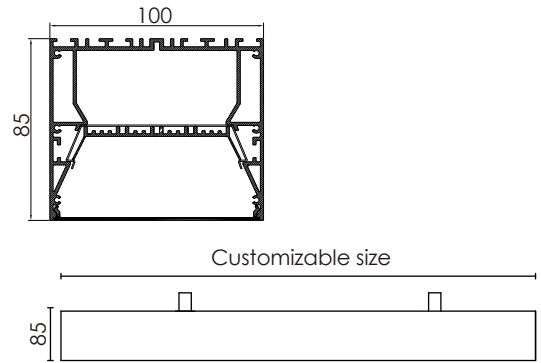




### Feature

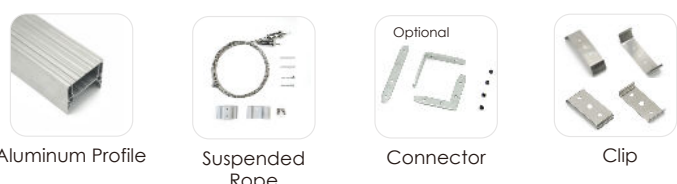
- This Linear light have a simple, atmospheric design.
- Can be spliced
- High quality LED light source, energy saving and environmental protection.
- Anodized aluminum profile with good heat dissipation.
- Suitable for offices, conference rooms, supermarkets, home lighting, etc.



### Luminaire parameters

Name	HL-PA030-L12	L Type Connector	T Type Connector	+ Type Connector
Size	L1200*W100*H85mm	L200*W200*H85mm	L300*W200*H85mm	L300*W300*H85mm
Nominal Power	43W	/	/	/
Lm	4558lm	/	/	/
Input Voltage	AC100-240V			
Beam Angle	120°			
CCT	2700-6000k			
CRI	>80			
Protection Grade	IP40			
Certification	CE, RoHS			
Warranty	3 years			

### Installation Accessories



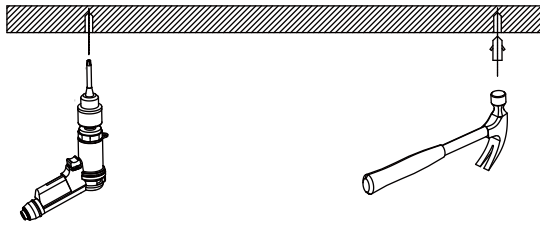
Aluminum Profile

Suspended Rope

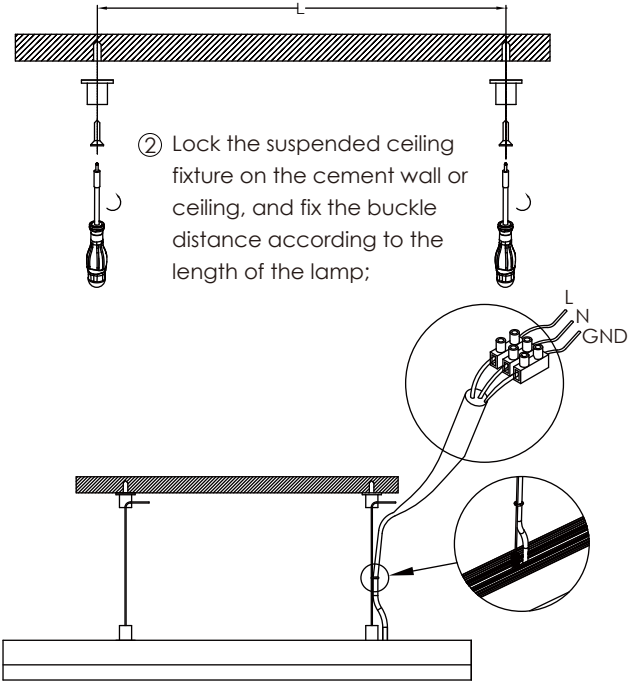
Connector

Clip

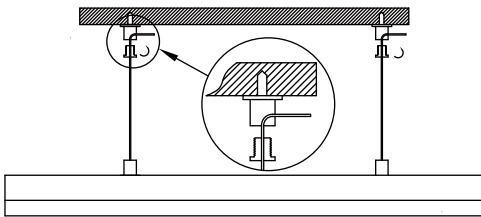
## Installation



① Prepare the electric drill, hammer, stud;



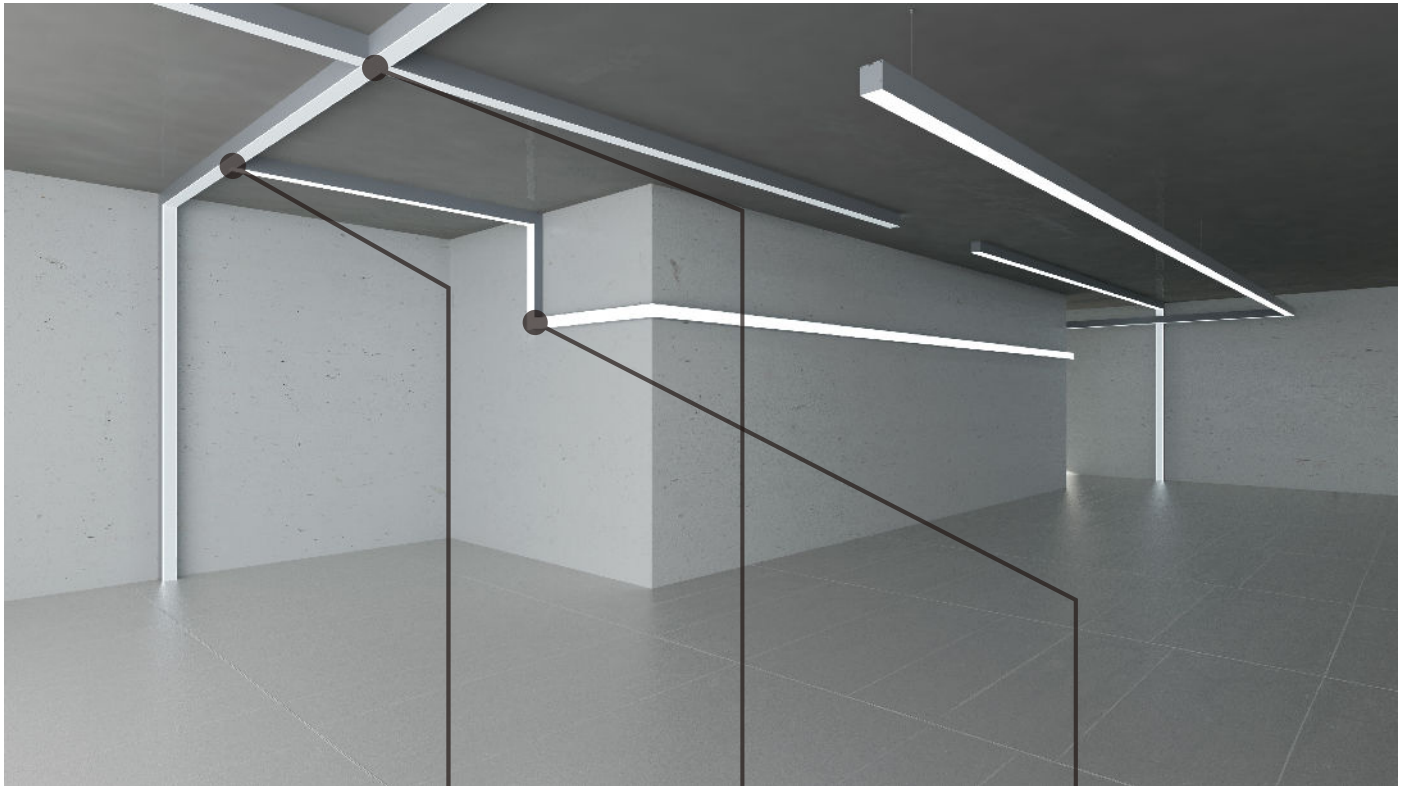
② Lock the suspended ceiling fixture on the cement wall or ceiling, and fix the buckle distance according to the length of the lamp;



③ Lock the wire sling fixing parts, and fixed the installation length by adjust the wire sling;

④ Connect the power supply and complete the installation.

## Splicing method



T Type Connector

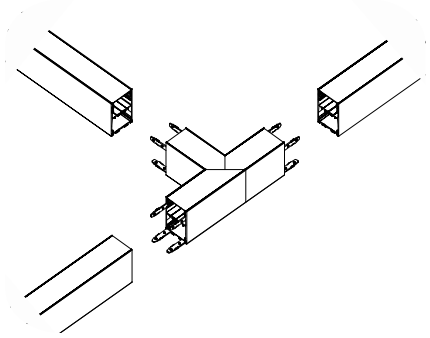


+ Type Connector

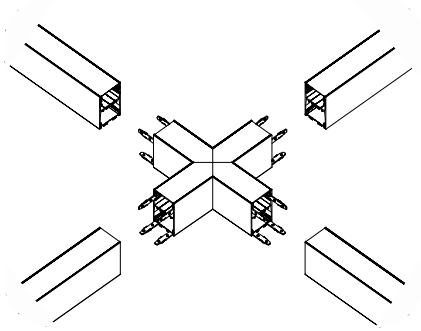


L Type Connector

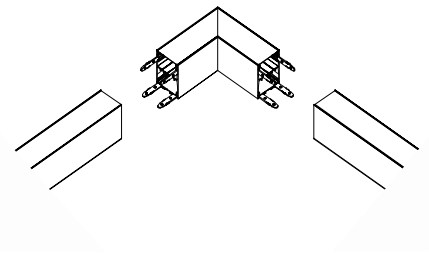
## Installation



T Type Connector



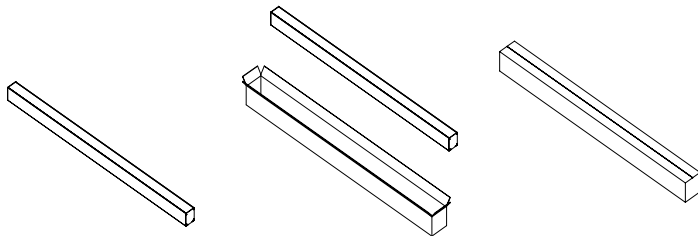
+ Type Connector



L Type Connector

## Packing

HL-PA030-L12

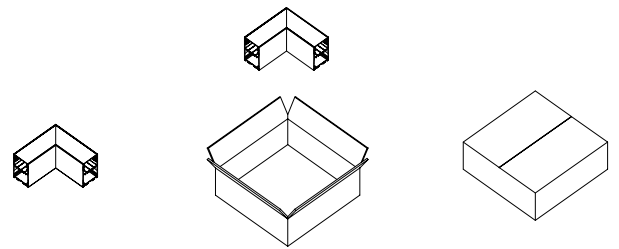


① Product

② Packing

③ Sealing

L Type Connector

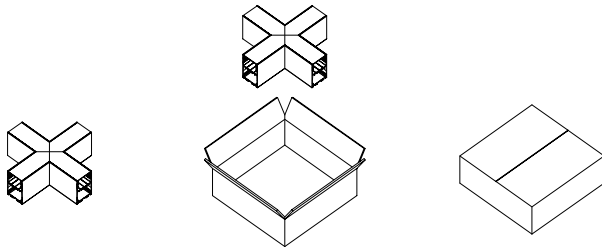


① Product

② Packing

③ Sealing

+ Type Connector

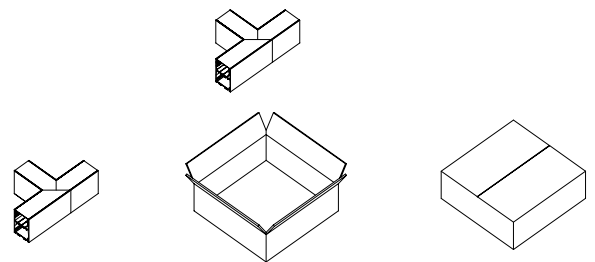


① Product

② Packing

③ Sealing

T Type Connector



① Product

② Packing

③ Sealing

	Model	Inner box	Carton box	QTY/Carton
01	HL-PA030-L12	1230*130*115mm	1250*280*255mm	9PCS
02	L Type Connector	/	215*215*100mm	1PCS
03	T Type Connector	/	215*315*100mm	1PCS
04	+ Type Connector	/	315*315*100mm	1PCS

## Notices

- 1.The power supply must be turned off before installation.
- 2.Make sure the product is mounted under the surface of the object to be installed, and finally turn on the power to light up.
- 3.This product is for indoor use only.
- 4.This product is warranted for 3 years and problems occur within 3 years (except for human factors and accidental factors), free maintenance.
- 5.The product is not responsible for damage caused by accidental factors or improper use.