






# Model: HL-GA046-B

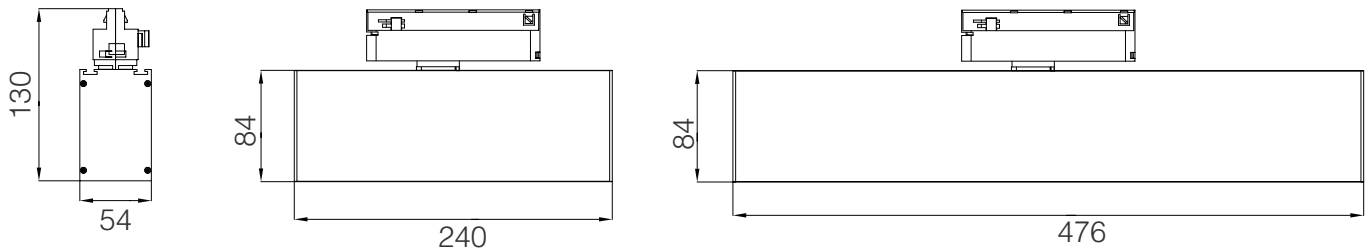
Color(Optional):     
Sliver Black White



## SIZE

---

Unit: mm



## Feature

---

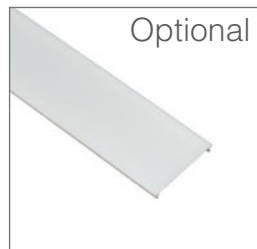
- The integrated design of lamp body and guide rail joint is adopted, and the appearance design is simple and elegant, beautiful and decent;
- Adopt the external constant current power supply of the ace track, which is safe and reliable;
- Professional anti-glare grille reflector, reflective angle optional (15°/30°/45°), anti-glare value UGR<16; soft & comfortable light, eye protection;
- Adopt imported Japanese Teijin PC material cover (PC and reflector optional), high lighting transmittance, strong weather resistance, high temperature resistance, corrosion resistance, and strong impact resistance;
- The guide rail joint can be rotated 0-330° horizontally and unilaterally;
- Application: Various application scenarios such as shopping malls, offices, home decoration, exhibition halls, catering, etc.

## Accessories

---



Rail connector



PC Cover

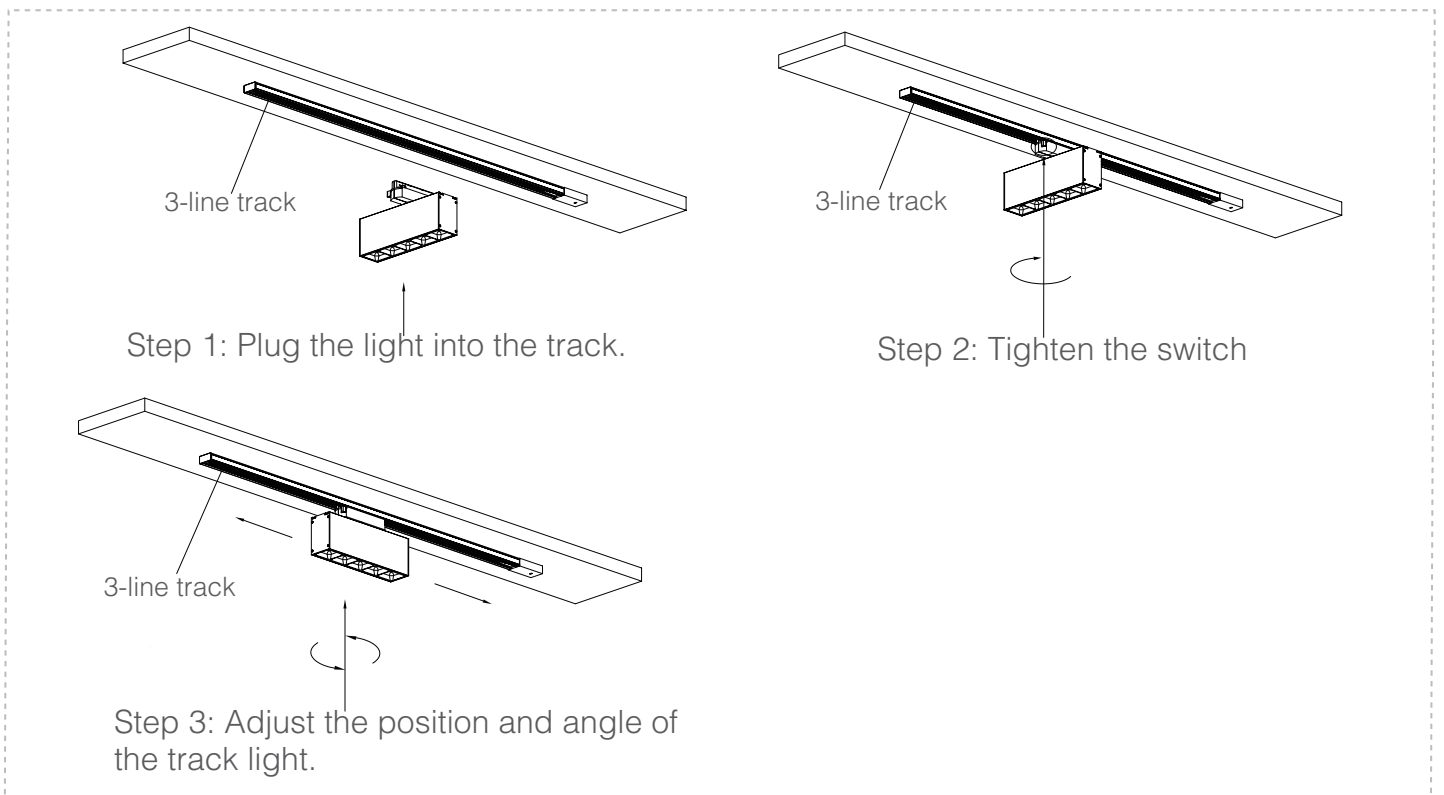


Reflector

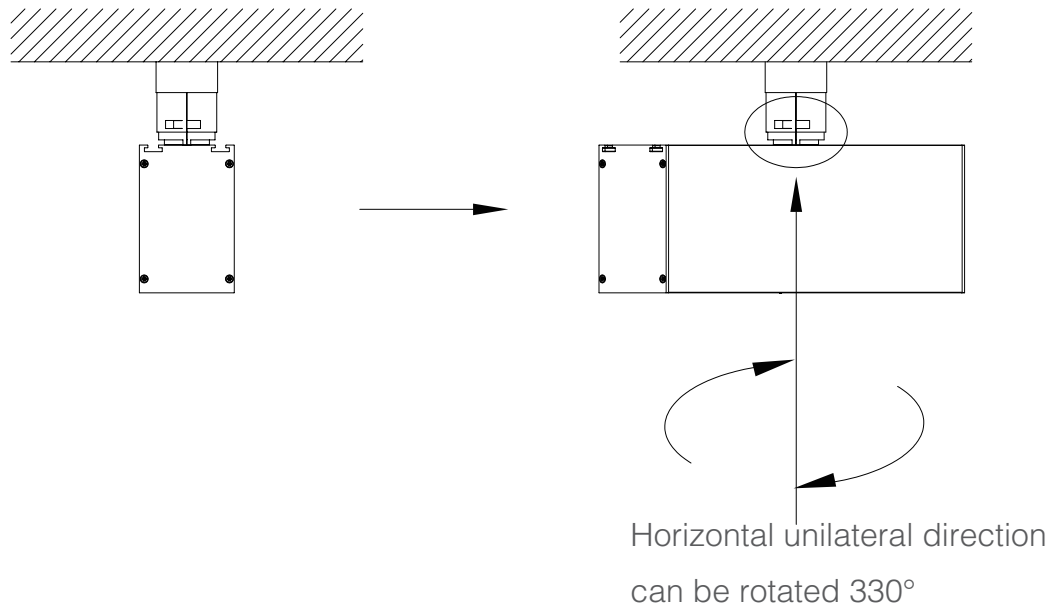
## PARAMETERS

Model	HL-GA046-B-R01	HL-GA046-B-R02	HL-GA046-B-D01	HL-GA046-B-D02
Length (mm)	L240*W54*H130mm	L476*W54*H130mm	L240*W54*H130mm	L476*W54*H130mm
Cover	Five-in-one reflector	Five-in-two reflector	PC Cover	
Dimming	NO			
Rated Voltage	AC100-240V			
Nominal Power	10W	20W	10W	20W
LM (3030 plane)	1100lm	2200m	950lm	1900lm
CRI	>70			
Beam Angle	15°/30°/45°		110°	
CCT	2700-6500k			
Warranty	3 years			
N.W	0.66KG	1.15KG	0.64KG	1.10KG
Working Temperature	-20~+50 °C			

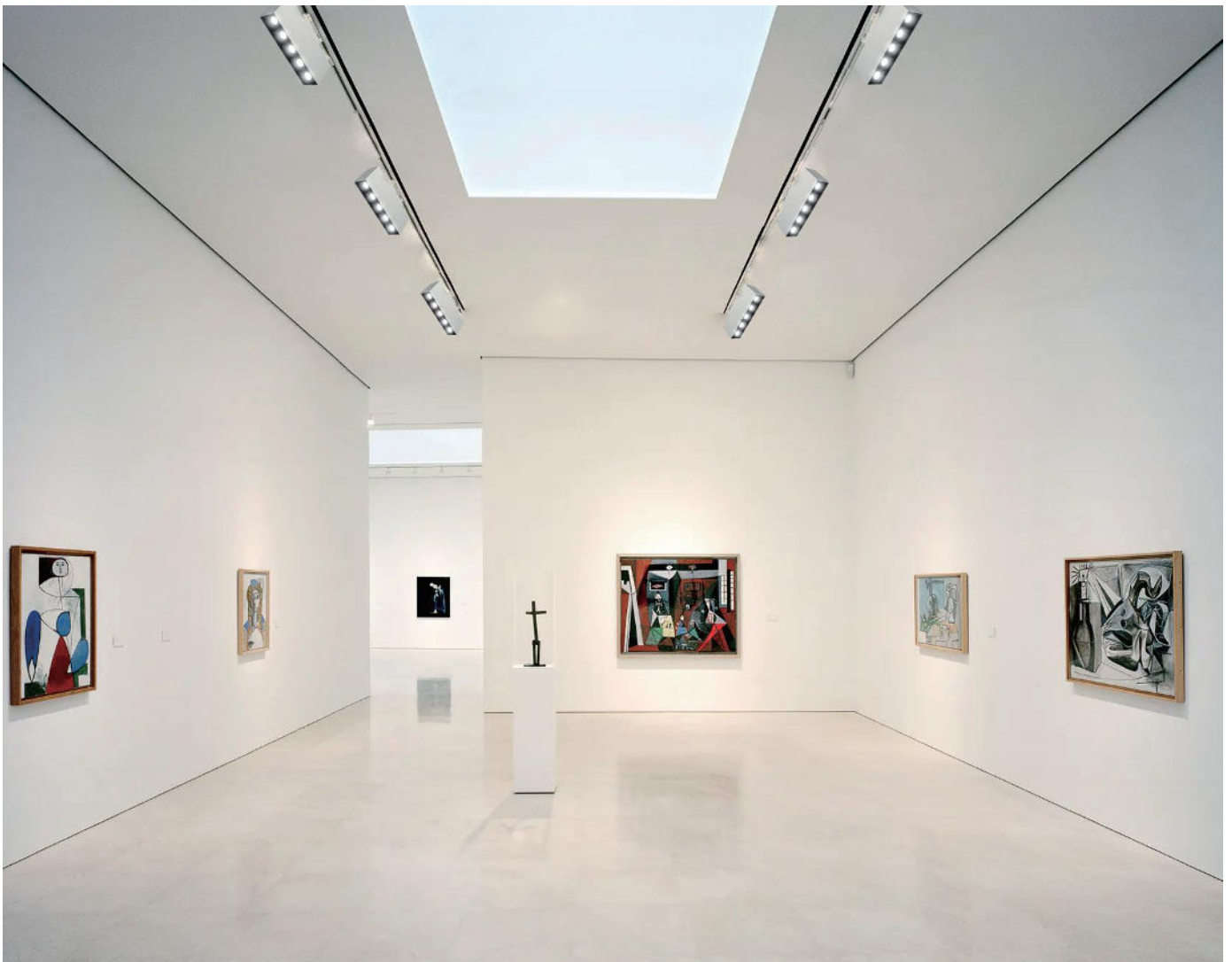
## INSTRUCTIONS



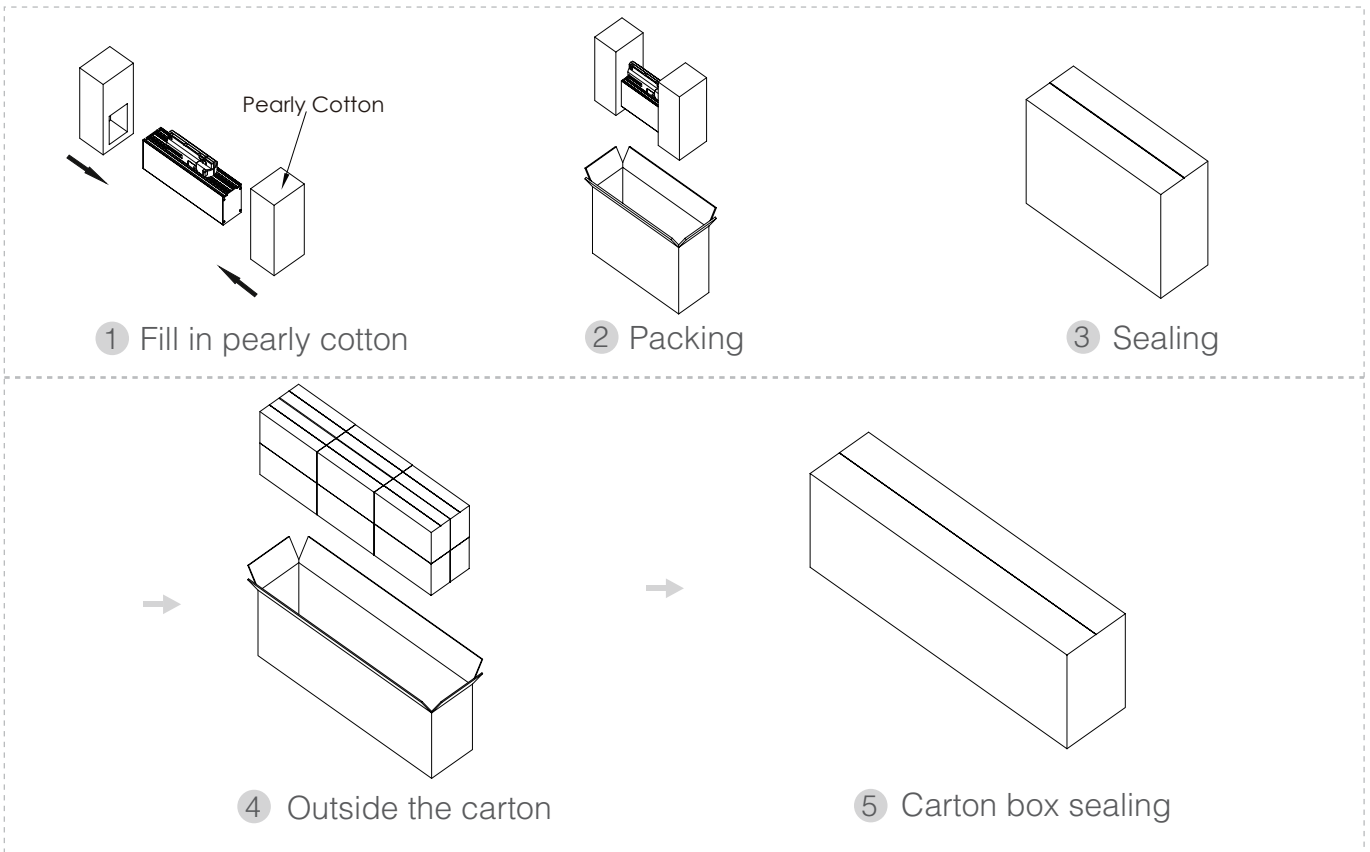
## ROTATION DIAGRAM



## APPLICATION PICTURE



# PACKAGING



	Model	Inner box	Carton box	QTY/Carton
01	HL-GA046-B-R01 HL-GA046-B-D01	285*100*175mm	870*215*365mm	12 PCS
02	HL-GA046-B-R02 HL-GA046-B-D02	520*100*175mm	1055*215*365mm	8 PCS

# NOTICES

- The power supply must be turned off before installation.
- Make sure the product is mounted under the surface of the object to be installed, and finally turn on the power to light up.
- This product is for indoor use only.
- This product is warranted for 3 years and problems occur within 3 years (except for human factors and accidental factors), free maintenance.
- The product is not responsible for damage caused by accidental factors or improper use.

H E L I A N

**Shenzhen  
Helian  
Electronics Co.,Ltd**

## Shenzhen Helian Electronics Co.,Ltd



3F, Tonggao building 2, Sanlian industrial area, Songbai Rd, Shiyan Town, Bao'an District, Shenzhen, Guangdong, China



**OUR EMAIL**

admin@hllcd.com



**OUR PHONE**

(86)-755-27606785



**OUR WEBSITE**

www.hllcd.com