



Double section rotating LED track spotlight

Model: HL-G8035H



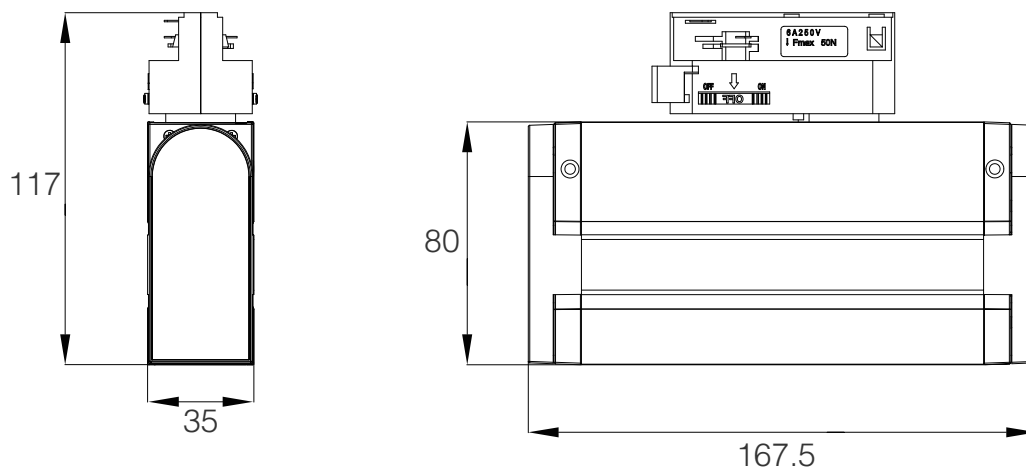
HL-G8035H-07



HL-G8035H-08

SIZE

Unit: mm



Feature

- Professional appearance design, neat and generous.
- With a two-sections rotation adjustment angle function, two sections of rotation angle is max 240°.
- Using SMD LED light source, low power consumption, long life, good heat dissipation performance, energy saving and environmental protection;
- Using a constant current built-in power supply DC30V, safe and reliable, no flickering lights.
- Adopt imported Japanese Teijin PC material cover, high lighting transmittance, strong weather resistance, high temperature resistance, corrosion resistance, and strong impact resistance;
- Applications: meeting room, supermarket, exhibition hall, home lighting, museum, etc.

Accessories



Rail connector



HL-G8035H-07

Opal prism diffuser



HL-G8035H-08


Semi-clear
prism diffuser



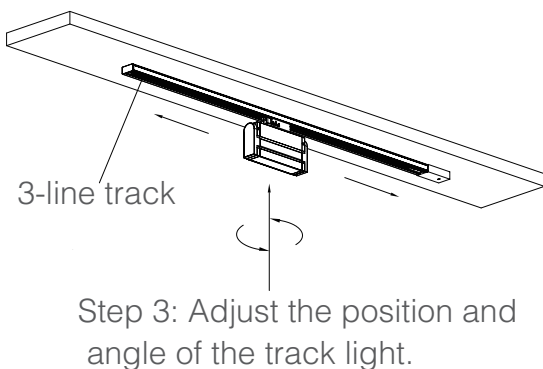
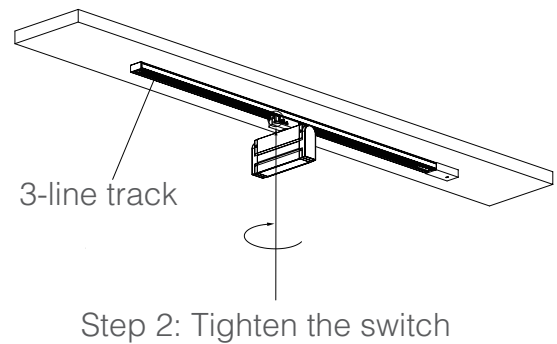
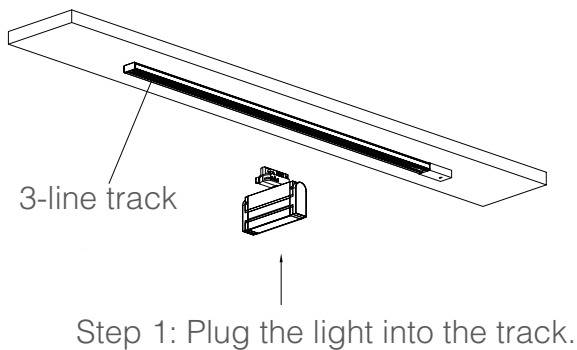
HL-G8035H-08

Clear prism diffuser

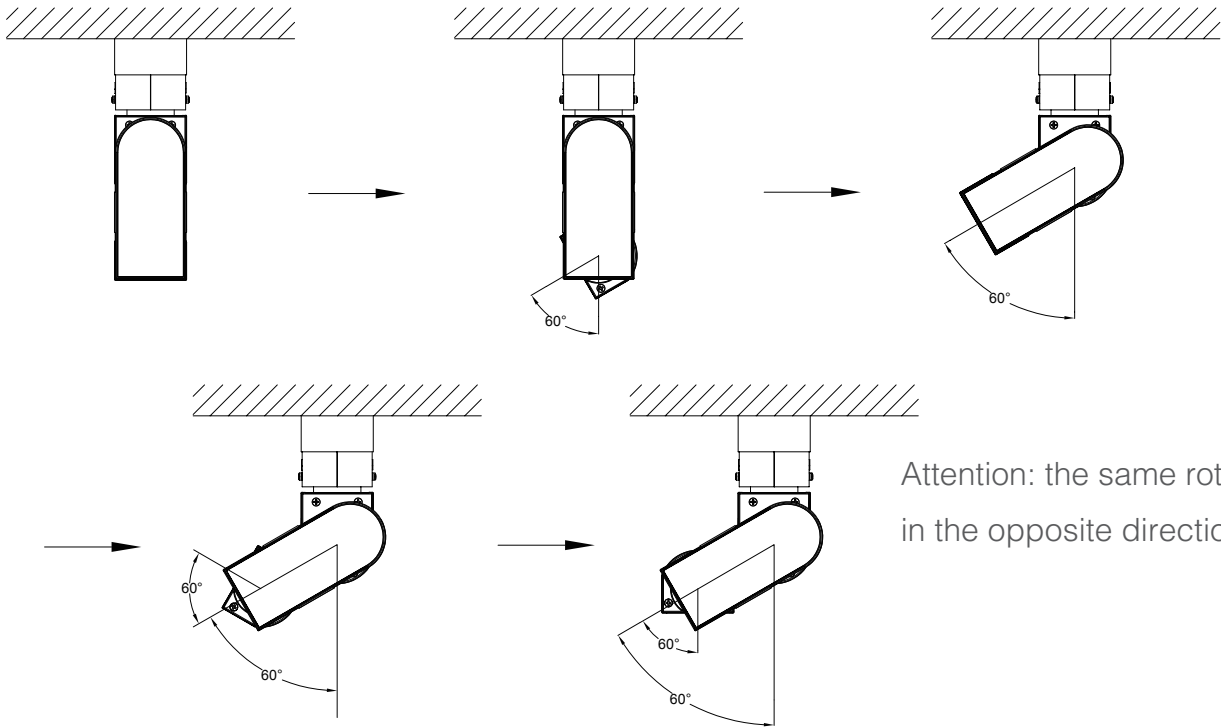
PARAMETERS

Model	HL-G8035H-07	HL-G8035H-08
Length(L*W*H)	167.5*35*117mm	
Color		
Dimming	NO	
Rated Voltage	DC100-240V	
Nominal Power	5W	5W
LM	375lm	400 lm
CRI	>70	
Beam Angle	110°	
CCT	2700-6500k	
Warranty	3 years	
N.W	0.363KG	0.363KG
Working Temperature	-20~+50 °C	

INSTRUCTIONS



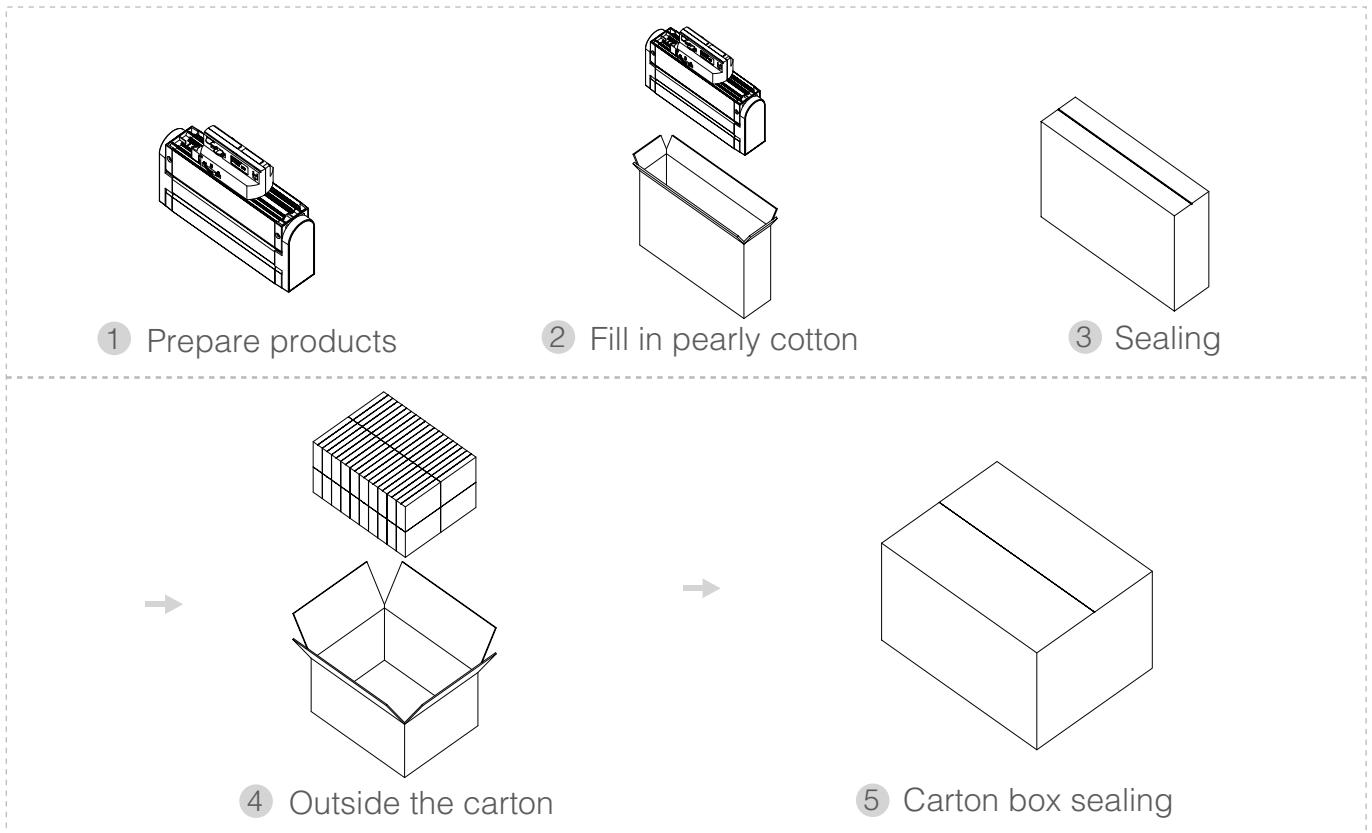
ROTATION DIAGRAM



APPLICATION PICTURE



PACKAGING



	Model	Inner box	Carton box	QTY/Carton
01	HL-G8035H-07	175*45*125mm	465*365*265mm	40PCS
02	HL-G8035H-08			

NOTICES

- The power supply must be turned off before installation.
- Make sure the product is mounted under the surface of the object to be installed, and finally turn on the power to light up.
- This product is for indoor use only.
- This product is warranted for 3 years and problems occur within 3 years (except for human factors and accidental factors), free maintenance.
- The product is not responsible for damage caused by accidental factors or improper use.

H E L I A N

**Shenzhen
Helian
Electronics Co.,Ltd**

Shenzhen Helian Electronics Co.,Ltd



3F, Tonggao building 2, Sanlian industrial area, Songbai Rd, Shiyan Town, Bao'an District, Shenzhen, Guangdong, China



OUR EMAIL

admin@hllcd.com



OUR PHONE

(86)-755-27606785



OUR WEBSITE

www.hllcd.com