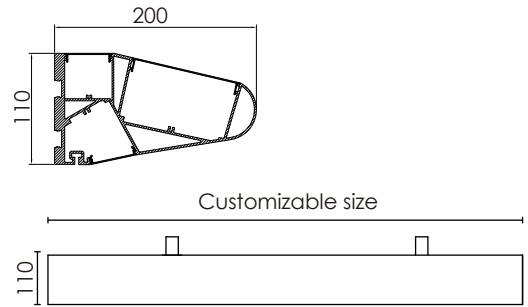




Feature

- Keep simple and elegant appearance with patent design.
- High quality, energy-efficient LED Lighting for environmental protection.-
- Built-in power supply, no flicker.
- Dimming and coloring with remote control .
- Applicable for hotel, home lighting, VIP nurse station/VIP business restrooms, etc.



Luminaire parameters	
Size	L1000*W200*H110mm
Lm	2600lm
Input Voltage	AC100-240V
Dimming	YES
Nominal Power	36W+36W
CCT	2700-6500k+Blue
CRI	>80
Protection Grade	IP40
Certification	CE, Ro HS
Warranty	3 years

Installation Accessories



End cap



Pothead

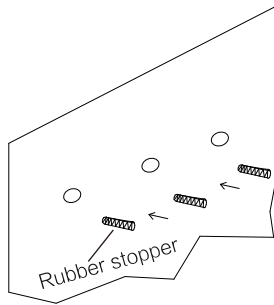


Mounting Clip

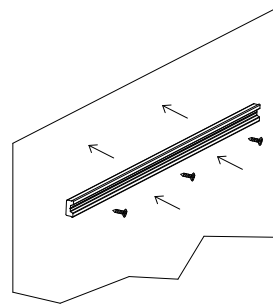


Remote Control

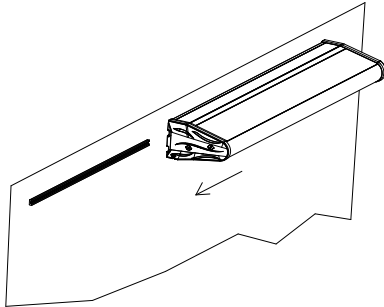
Installation



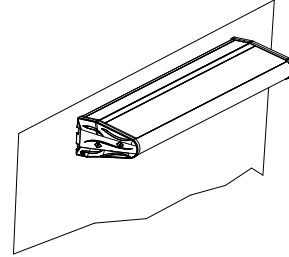
- ① Place at least three holes in the mounting wall and insert the plug into the mounting hole.



- ② Use the screws to lock the profile on the mounting hole.



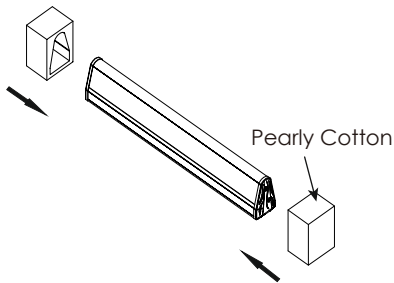
- ③ The lamp along the bottom of the card slot to push the aluminum buckle inside, fixed live.



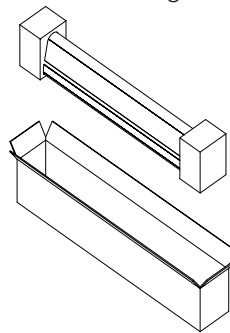
- ④ Complete

Packing

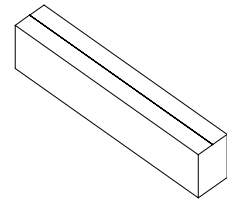
- ① Fill in pearly cotton



- ② Packing



- ③ Sealing



Model HL-YA009C-L10

Carton box 1080*170*255mm

N.W 7.24KG

QTY/Carton 1PCS

G.W 8.35KG

Notices

- 1.The power supply must be turned off before installation.
- 2.Make sure the product is mounted under the surface of the object to be installed, and finally turn on the power to light up.
- 3.This product is for indoor use only.
- 4.This product is warranted for 3 years and problems occur within 3 years (except for human factors and accidental factors), free maintenance.
- 5.The product is not responsible for damage caused by accidental factors or improper use.