

Please noted when installation, maintenance and electrical connections.

1. Must disconnect the electrical connection before installing accessories or replacing the drive power, light source.
2. Lamps are not suitable to coat with insulation materials and cannot be covered by them.
3. Lamps cannot be installed on the surface of conductive materials.
4. For lamps suspended mounted by suspended ropes, the power cord cannot withstand the tension.
5. When repairing or replacing parts, only can use original parts.
6. The lamp's installation, maintenance, electrical connections, etc. should be completed by relevant professionals.



Shenzhen Helian Electronics Co.,Ltd

Address: 3F, Tonggao building 2, Sanlian industrial area, Songbai Rd, Shiyuan Town, Bao'an District, Shenzhen, Guangdong, China

Tel: (86)-755-27606785

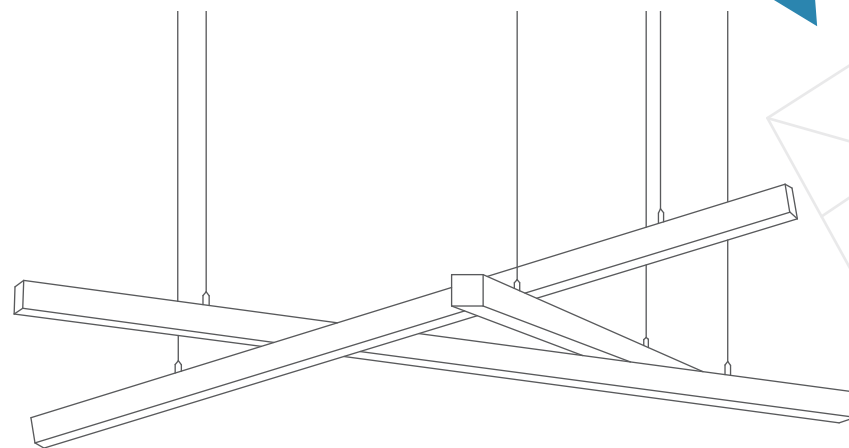
Fax: (86)-755-27607521

E-mail: admin@hlled.com

Web: WWW.hlled.com

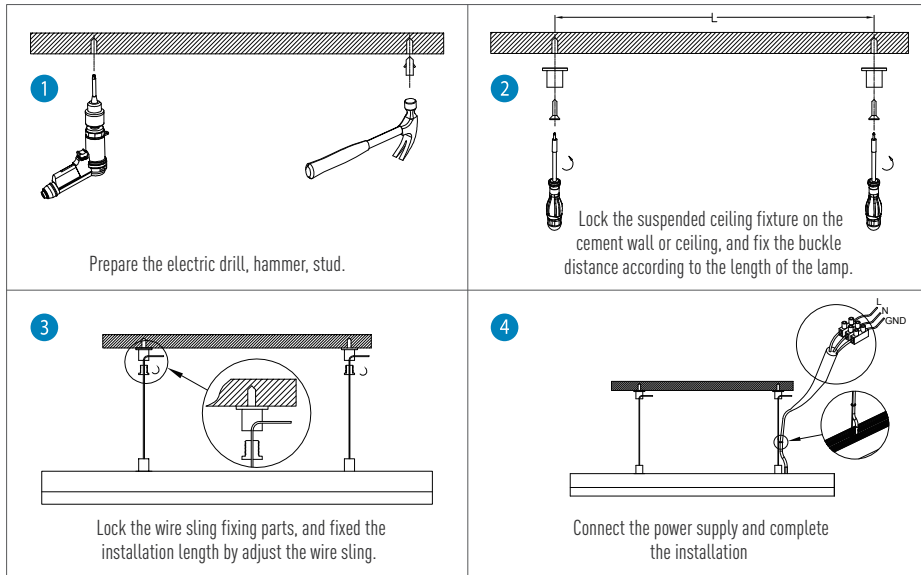
INSTALLATION MANUAL

Led Linear Light



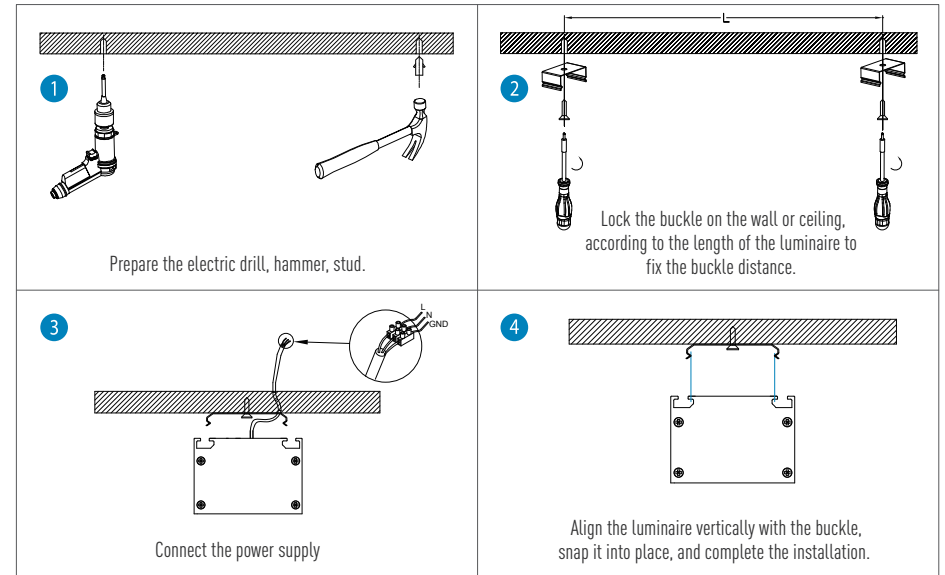
01

Suspended Mounted Installation (Built-in Power Supply)



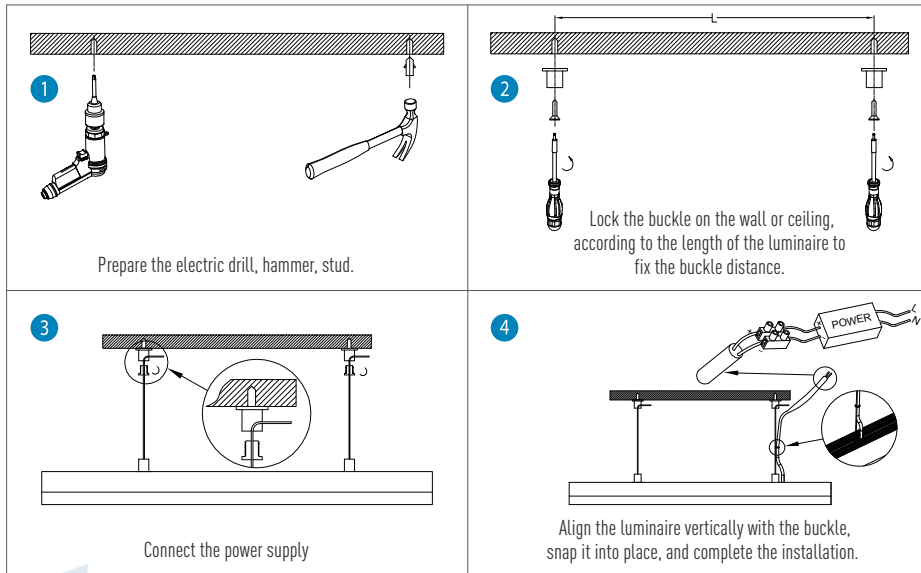
03

Surface Mounted Installation (Built-in Power Supply)



02

Surface Mounted Installation (External Power Supply)



04

Surface Mounted Installation (External Power Supply)

